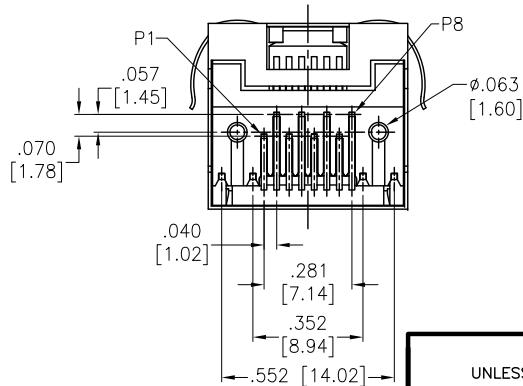
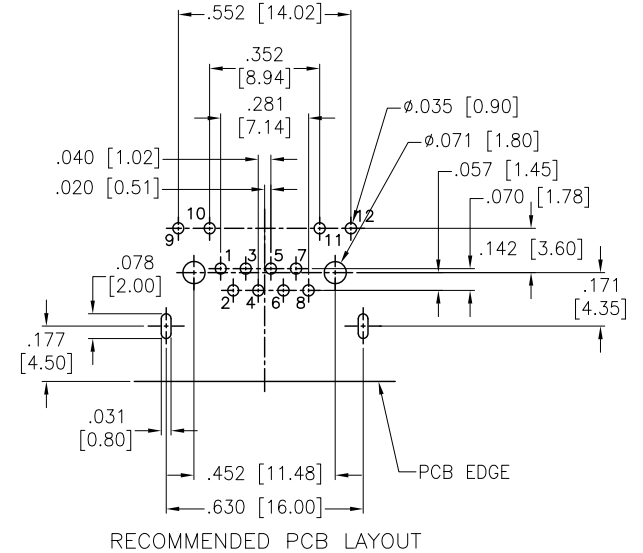
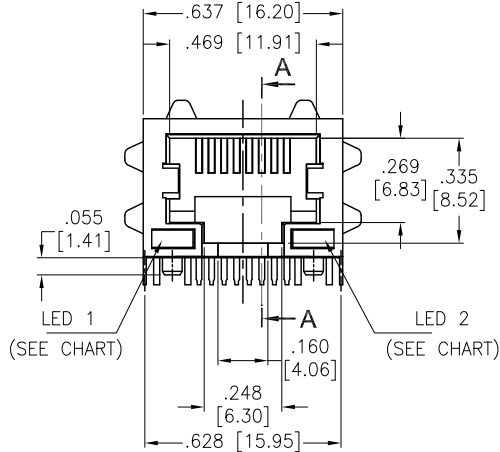
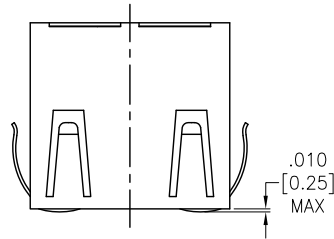
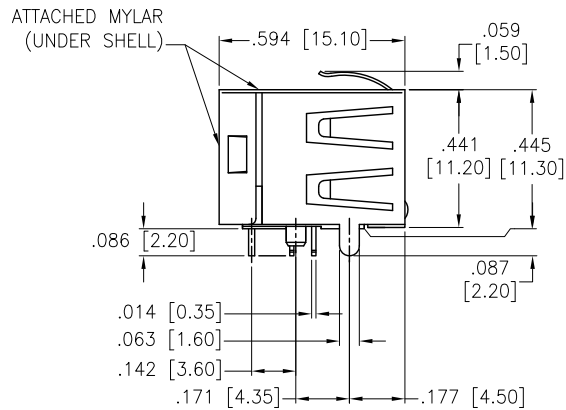


APPROVED: _____
 DATE: _____ TITLE: _____

Rev	AWO #	Description	Date	Appr
A		UPDATE DRAWING	4/15/16	AY



Part Number	LED 1 Color	LED 2 Color
MTJ-88AAX1-FSV-PG-LD	Green	Green
MTJ-88AAX1-FSV-PG-LG	Yellow	Green
MTJ-88AAX1-FSV-PG-LH	Green	Yellow
MTJ-88AAX1-FSV-PG-LP	Yellow/Green	Yellow/Green
MTJ-88AAX1-FSV-PG-LV	Green	Yellow/Green
MTJ-88AAX1-FSV-PG-L16	Green/Yellow	Green/Yellow

SPECIFICATIONS:

Material:
 Insulator: Nylon 46, Glass fiber, rated UL 94V-0
 Insulator color: Black
 Contacts: Phosphor Bronze
 Shield: Brass, Nickel plated
 LED Solder Tail: Steel, Tin plated
 Contacts Plating:
 Gold over Nickel underplate on contact area
 Gold flash over Nickel underplate on solder tails
 Electrical:
 Voltage rating: 150 VAC max
 Current rating: 1.5 Amp max
 Contact resistance: 20 mohms max
 Insulation resistance: 500 Mohms min @ 500 VDC
 Dielectric withstanding voltage: 1500 VAC for 1 minute
 Temperature Rating:
 Operating temperature: -40°C to +85°C
 Environmental:
 Lead free, RoHS compliant.



UNLESS OTHERWISE SPECIFIED
 ALL DIMENSIONS ARE INCHES [MM]
 TOLERANCES: EXCEPT AS NOTED
 INCHES HOLES

.X ± .10	∅X ± .10
.XX ± .020	∅XX ± .015
.XXX ± .015	∅XXX ± .010

APPROVALS		DATE
DRAWN	TW	12/20/12
CHECKED	AH	12/20/12
APPROVED		

ADAM TECH
 INTERCONNECTS

909 Rahway Avenue,
 Union, NJ 07083
 Phone: 908-687-5000
 Fax: 908-687-5710

TITLE MODULAR TELEPHONE JACK, 8P8C W/ LED'S		
SIZE X	PART NO. MTJ-88AAX1-FSV-PG-LX	REV. A
REF: S00065T	SCALE: NTS	SHEET 1 OF 1