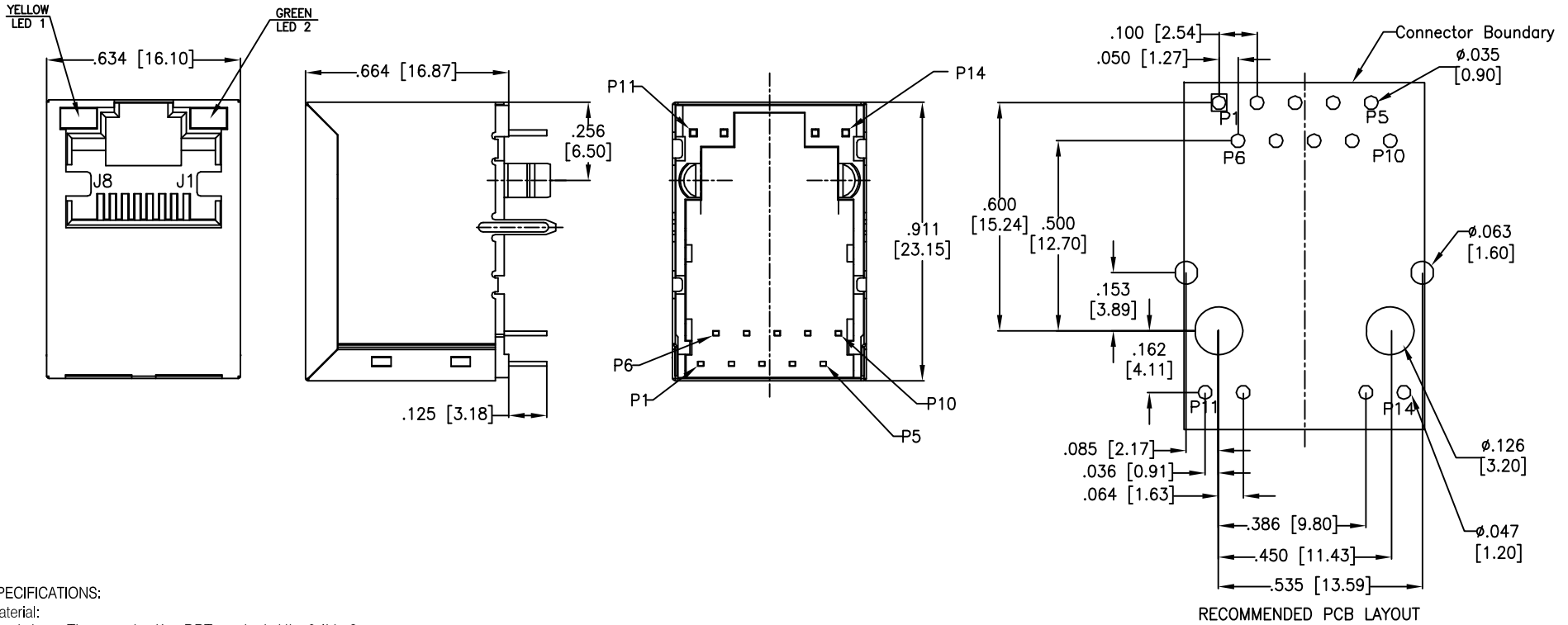


APPROVED: _____
 DATE: _____ TITLE: _____

Rev	AWO #	Description	Date	Appr
-		RELEASED	8/15/11	
A		UPDATED DRAWING	4/28/17	HR/DH



SPECIFICATIONS:
 Material:
 Insulator: Thermoplastic PBT, rated UL 94V-0
 Insulator color: Black
 Contacts: Copper Alloy
 Shield: Brass, Nickel plated
 Plating:

Round contact
 Gold over Nickel underplate overall
 Flat contact
 Gold over Nickel underplate on contact area,
 Tin over Nickel underplate on solder tails
 (See chart for thickness)
 Electrical:
 Operating voltage: 150 VAC max
 Contact Resistance: 20 mohms max
 Insulation resistance: 500 Mohms min
 Dielectric withstanding voltage: 2250 VDC for 1 minute
 Temperature Rating:
 Operating temperature: 0°C to +70°C
 Environmental:
 Lead free, RoHS compliant.

X	PLATING
0	15 μ in Gold
1	30 μ in Gold
2	50 μ in Gold

UNLESS OTHERWISE SPECIFIED
 ALL DIMENSIONS ARE INCHES [MM]
 TOLERANCES: EXCEPT AS NOTED
 INCHES HOLES

.X \pm .10	ϕ .X \pm .10
.XX \pm .020	ϕ .XX \pm .015
.XXX \pm .015	ϕ .XXX \pm .010

APPROVALS		DATE
DRAWN	AY	8/15/11
CHECKED	NP	8/15/11
APPROVED		

ADAM TECH
 909 Rahway Avenue, Union, NJ 07083
 Phone: 908-687-5000 Fax: 908-687-5710

TITLE: MODULAR JACK GANGED, 1 PORT, 8P8C
 W/LED1 YELLOW, LED2 GREEN

SIZE	PART NO.	REV.
X	MTJ-88TVX1-FSJ-LG-M75C	A

REF: S00005C SCALE: NTS SHEET 1 OF 2



APPROVED: _____

DATE: _____ TITLE: _____

Rev	AWO #	Description	Date	Apr
-----	-------	-------------	------	-----

SEE SHT 1 OF 2 FOR REVISION

D

D

C

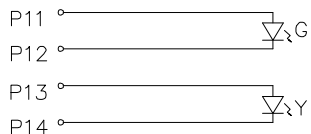
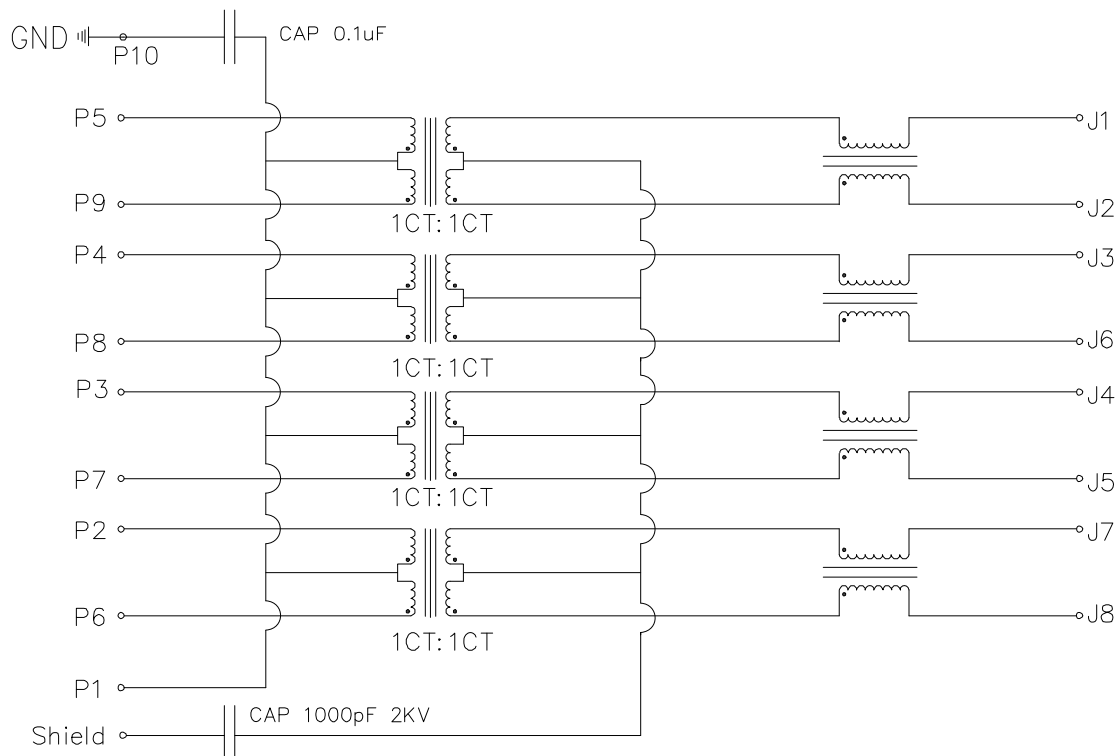
C

B

B

A

A



Pin	Green		Yellow
P11	+	P13	+
P12	-	P14	-

ELECTRICAL CHARACTERISTICS

- Turn Ratio @100KHz: (P5~P9):(J1~J2)=1:1±5%
(P4~P8):(J3~J6)=1:1±5%
(P3~P7):(J4~J5)=1:1±5%
(P2~P6):(J7~J8)=1:1±5%
- Primary Inductance: 350uH Min. @100kHz, 0.1Vrms, 8mA DC BIAS
- DC Resistance: 1.2 Ohms Max.
- Insertion Loss: 1~100MHz : -1.0dB Min.
100~125MHz : -1.2dB Min.
- Return Loss: 1~40MHz: -16dB Max
40~60MHz: -12dB Max
60~80MHz: -10dB Max
80~100MHz: -8dB Max
- Cross Talk: 1~100MHz: -30dB Max.
- Common to Common mode Attenuation: 1~100MHz: -30dB Min.
- Isolation: PHY Side to Line Side : 2250VDC

UNLESS OTHERWISE SPECIFIED
ALL DIMENSIONS ARE INCHES [MM]
TOLERANCES: EXCEPT AS NOTED
INCHES HOLES

.X ± .10	∅X ± .10
.XX ± .020	∅XX ± .015
.XXX ± .015	∅XXX ± .010

ADAM TECH

909 Rahway Avenue, Union, NJ 07083
Phone: 908-687-5000 Fax: 908-687-5710

TITLE
MODULAR JACK GANGED, 1 PORT, 8P8C
W/LED1 YELLOW, LED2 GREEN

APPROVALS		DATE
DRAWN	AY	8/15/11
CHECKED	NP	8/15/11
APPROVED		

SIZE	PART NO.	REV.
X	MTJ-88TVX1-FSJ-LG-M75C	A
REF: S00005C	SCALE: NTS	SHEET 2 OF 2