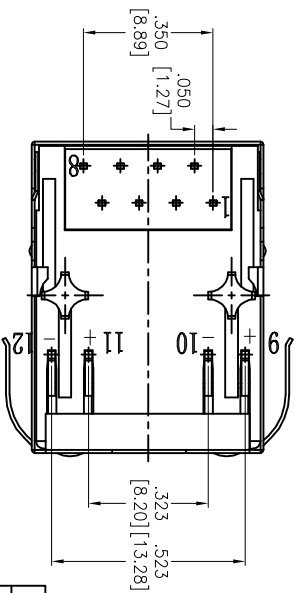
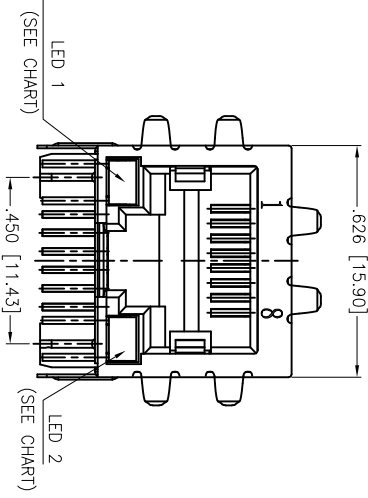
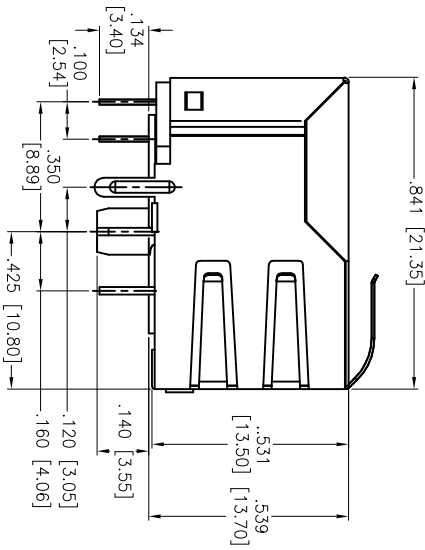
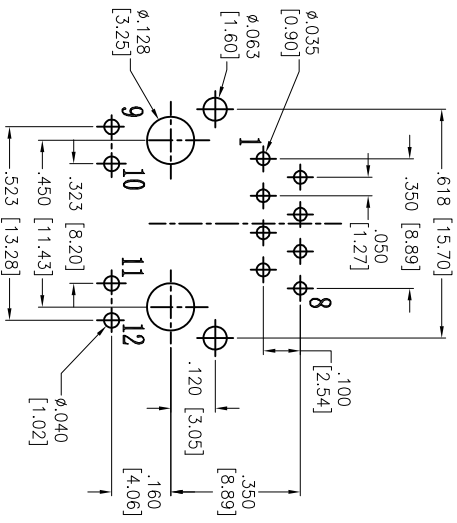


Rev	AWO #	Description	Date	Appr
-		RELEASED	9/2/15	

APPROVED: _____ TITLE: _____
 DATE: _____



Part Number	LED 1 Color	LED 2 Color
MTJ-88TX1-FSD-PG-LD	Green	Green
MTJ-88TX1-FSD-PG-LG	Yellow	Green
MTJ-88TX1-FSD-PG-LH	Green	Yellow
MTJ-88TX1-FSD-PG-LP	Yellow/Green	Yellow/Green
MTJ-88TX1-FSD-PG-LV	Green	Yellow/Green
MTJ-88TX1-FSD-PG-L16	Green/Yellow	Green/Yellow

SPECIFICATIONS:
 Material: Insulator: PBT, glass filled, rated UL 94V-0
 Insulator color: Black
 Contacts: Phosphor Bronze
 Shield: Brass, Nickel plated
 Contact Plating: Flat contact
 Gold over Nickel underplate on contact area,
 Matte Tin over Nickel underplate on solder tails
 Round contact
 Gold over Nickel underplate overall
Electrical:
 Operating voltage: 150 VAC RMS
 Current rating: 1.5 Amps
 Contact Resistance: 20 mohms max. initial
 Insulation resistance: 1,000 Mohms min @ 500 VDC
 Dielectric withstanding voltage: 1,000 VDC or AC peak for 1 minut
Temperature Rating:
 Operating temperature: -40°C to +85°C
Environmental:
 Lead free, RoHS compliant.



ADAM TECH

909 Ratway Avenue, Union, NJ 07083
 Phone: 908-687-5000 Fax: 908-687-5710

TITLE: MODULAR JACK GANGED, 1 PORT, 8P8C,
 W/LED'S

UNLESS OTHERWISE SPECIFIED ALL DIMENSIONS ARE INCHES [MM] TOLERANCES: EXCEPT AS NOTED		APPROVALS		DATE	
X	± .10	Ø.X	± .10		
.XX	± .020	Ø.XXX	± .015		
.XXX	± .015	Ø.XXXX	± .010		
DRAWN	AY	9/2/15			
CHECKED	NC	9/2/15			
APPROVED					

REF:	SIZE	PART NO.	SCALE:	SHEET	REV.
S00005C	X	MTJ-88TX1-FSD-PG-LX	NIS	1 OF 1	-