

APPROVED BY: DATE: MFG. ENG. QA APPROVED BY: DATE:

PART NUMBER	COUPLING TYPE	DESCRIPTION
DCP-HDMIB-F	QUICK CONNECT	*HDMI-STYLE FEED-THRU PANEL CONNECTOR
DCP-HDMIT-F	THREADED	*HDMI-STYLE FEED-THRU PANEL CONNECTOR

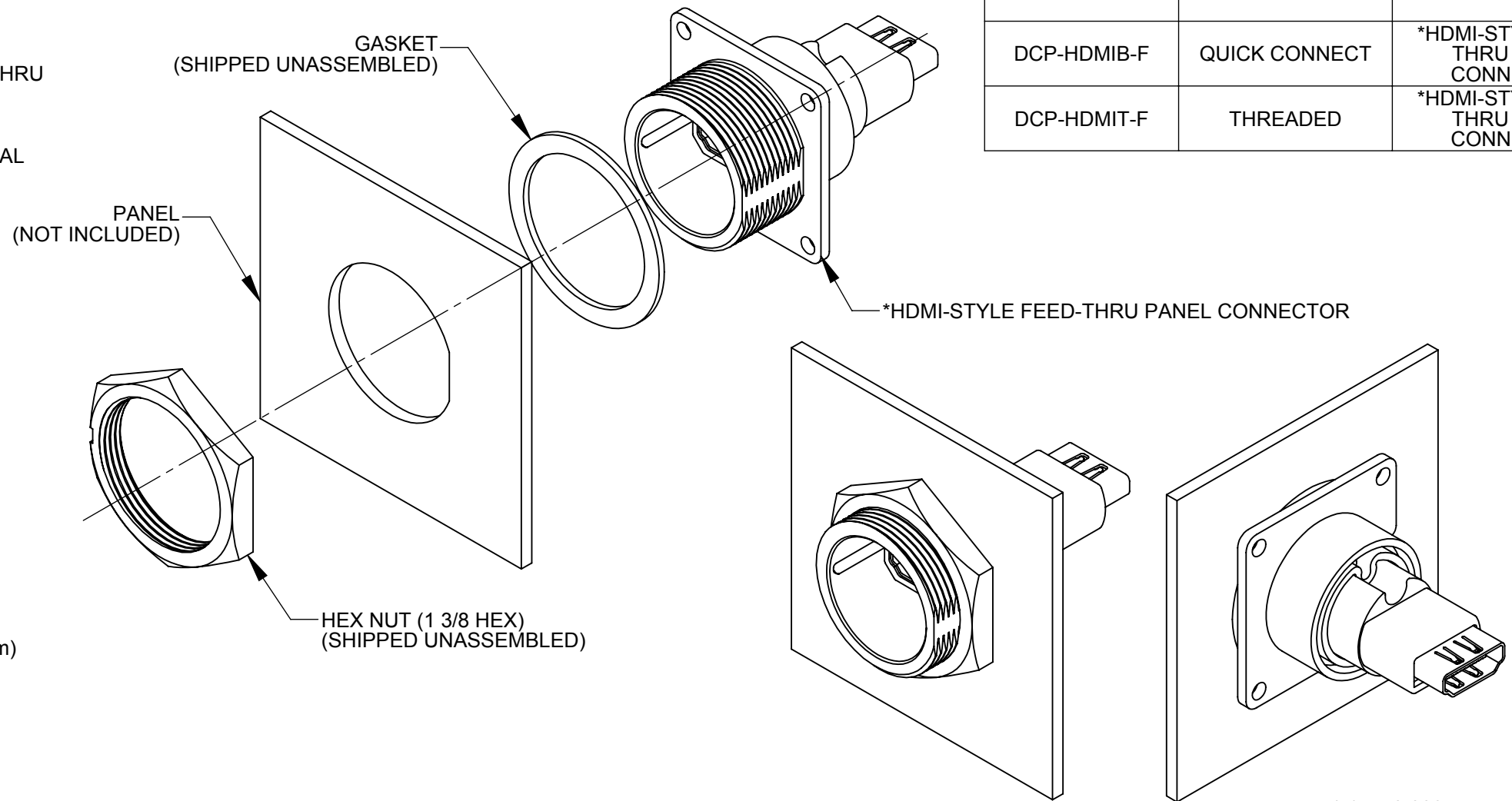
- NOTES:**
- DCP-HDMIT-F SHOWN IN EXPLODED VIEW. (\*HDMI-STYLE FEED-THRU WITH THREADED COUPLING.)
  - THE \*HDMI-STYLE FEED-THRU CONNECTOR IS TYPE "A".
  - THE DIMENSION DOES NOT INCLUDE GASKET COMPRESSION.
  - UNLESS OTHERWISE SPECIFIED, DIMENSIONS WITH TWO DECIMAL PLACES HAVE TOLERANCES OF ±0.02.

**MATERIALS:**  
 GASKET: ELASTOMER, BLACK  
 HEX NUT: THERMOPLASTIC, BLACK  
 \*HDMI-STYLE PANEL HOUSING: THERMOPLASTIC, BLACK  
 \*HDMI-STYLE FEED-THRU CONNECTOR:  
 SHELL: COPPER ALLOY, NICKEL PLATED  
 CONTACTS: COPPER ALLOY, GOLD PLATED  
 INSULATOR: THERMOPLASTIC, BLACK

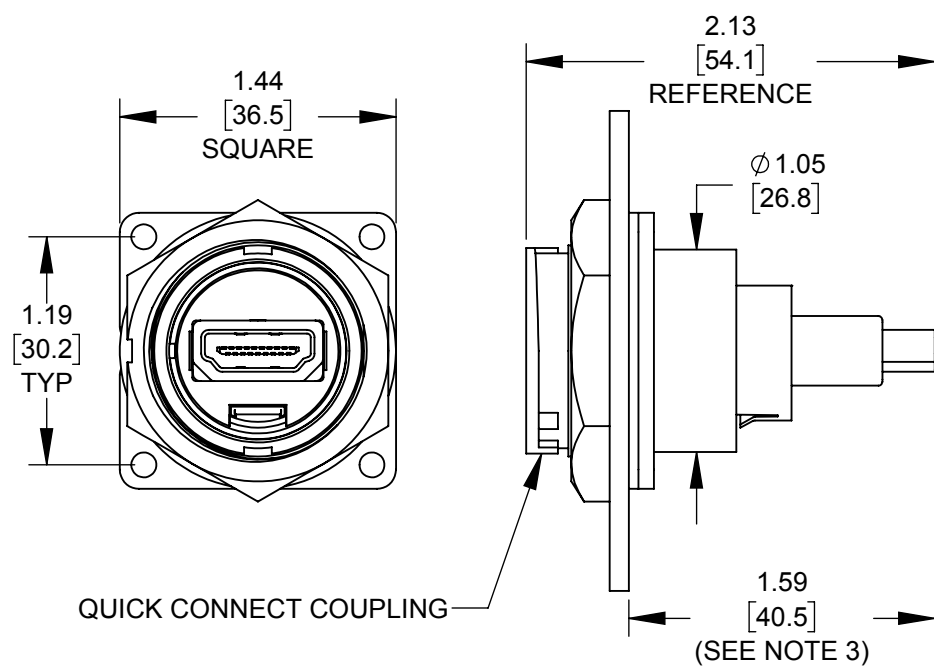
**ELECTRICAL:**  
 CURRENT RATING: 1A MINIMUM  
 INSULATION RESISTANCE: 10 MEGAOHMS MINIMUM (MATED)  
 DIELECTRIC WITHSTANDING VOLTAGE: 300V AC (MATED)

**PRODUCT RATING:**  
 IP67 & IP68, NEMA 250 (6P), WHEN MATED

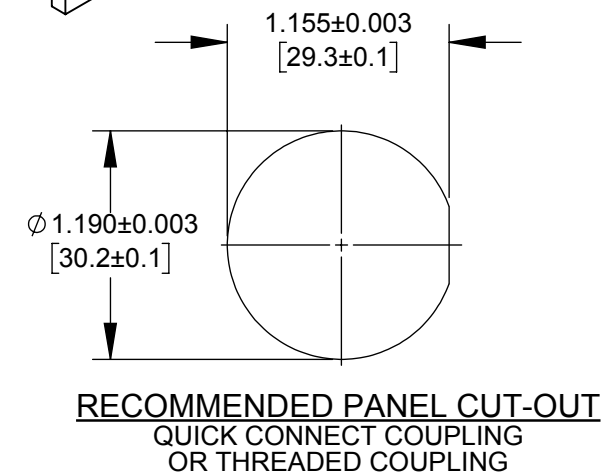
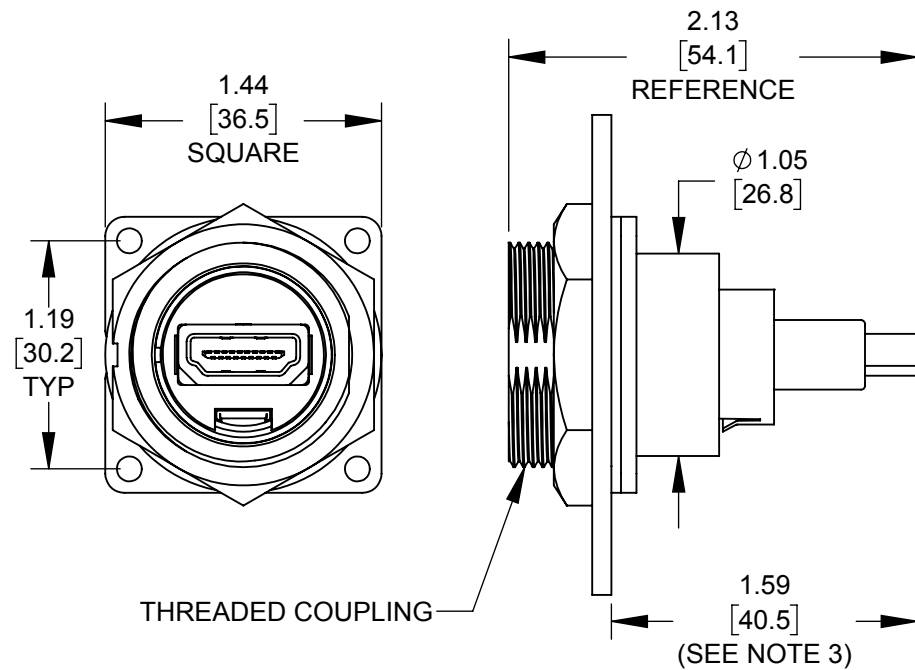
**OTHER:**  
 OPERATING TEMPERATURE: -20°C TO +80°C [-4°F TO +176°F]  
 RECOMMENDED PANEL THICKNESS:  
 QUICK CONNECT COUPLING: 1/32" TO 3/16" (0.8mm to 4.8mm)  
 THREADED COUPLING: 1/32" TO 5/32" (0.8mm to 3.9mm)



**DCP-HDMIB-F SHOWN**  
 (\*HDMI-STYLE FEED-THRU CONNECTOR WITH QUICK-CONNECT COUPLING)



**DCP-HDMIT-F SHOWN**  
 (\*HDMI-STYLE FEED-THRU CONNECTOR WITH THREADED COUPLING)



**CUSTOMER DRAWING**

0C	JGK	9/07/17	UPDATED NOTES.
0B	JGK	11/12/15	ADDED FLANGE HOLE DIMENSIONS.
0A	JGK	5/22/13	DRAWING CREATED PER PROJECT #12003.
REV.	INIT.	DATE	DESCRIPTION
	JGK	5/22/13	ORIG. DRAWN BY: DATE: JGK 5/22/13
ALL INFORMATION ILLUSTRATED IS THE PROPERTY OF CONXALL CORPORATION. UNAUTHORIZED DUPLICATION OR DISTRIBUTION OF THIS DOCUMENT IS PROHIBITED.			 601 E. WILDWOOD VILLA PARK, IL 60181
ALL UNITS ARE IN FEET, INCHES, FRACTION OF INCHES AND DECIMALS. UNLESS OTHERWISE SPECIFIED TOLERANCES: 3 PLACE DECIMALS ±.005 ANGLES ±1° FRACTIONS ±1/16 - CRITICAL CHARACTERISTIC FLAG PER SPEC. XXXX			
APPROVED BY:		TITLE: *HDMI-STYLE PANEL CONNECTOR	
SCALE: 1:1		SIZE: B	SHEET: 1 OF 1
FILE: SAME AS P/N		DIRECTORY: SLW	CUSTOMER: STANDARD PRODUCT
PART NUMBER: DCP-HDMIX-F SERIES		REV: 0C	

CUSTOMER DRAWING

PART NUMBER: DCP-HDMIX-F SERIES

DIMENSIONS IN BRACKET [ ] ARE METRIC.

\*HDMI IS A REGISTERED TRADEMARK OF HDMI LICENSING LLC CORPORATION.

**RoHS COMPLIANT**