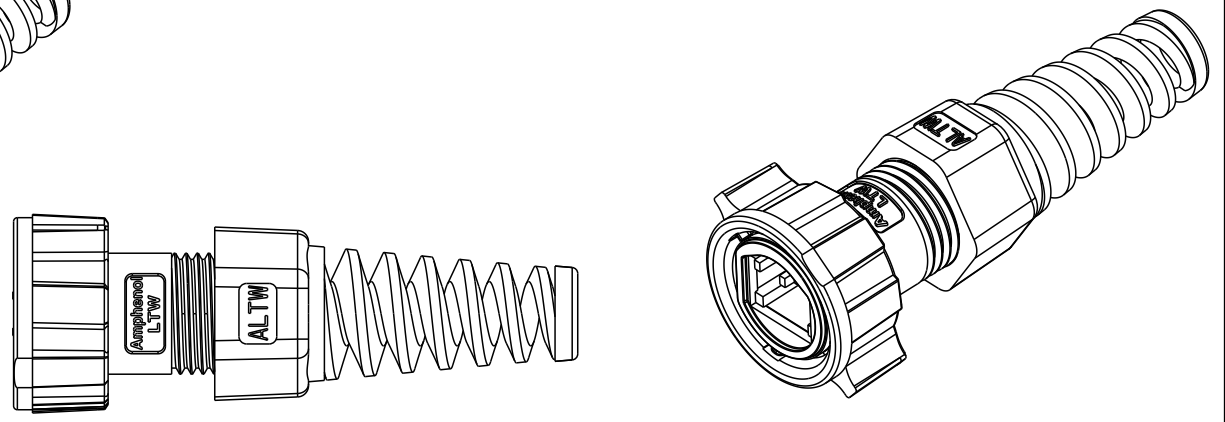
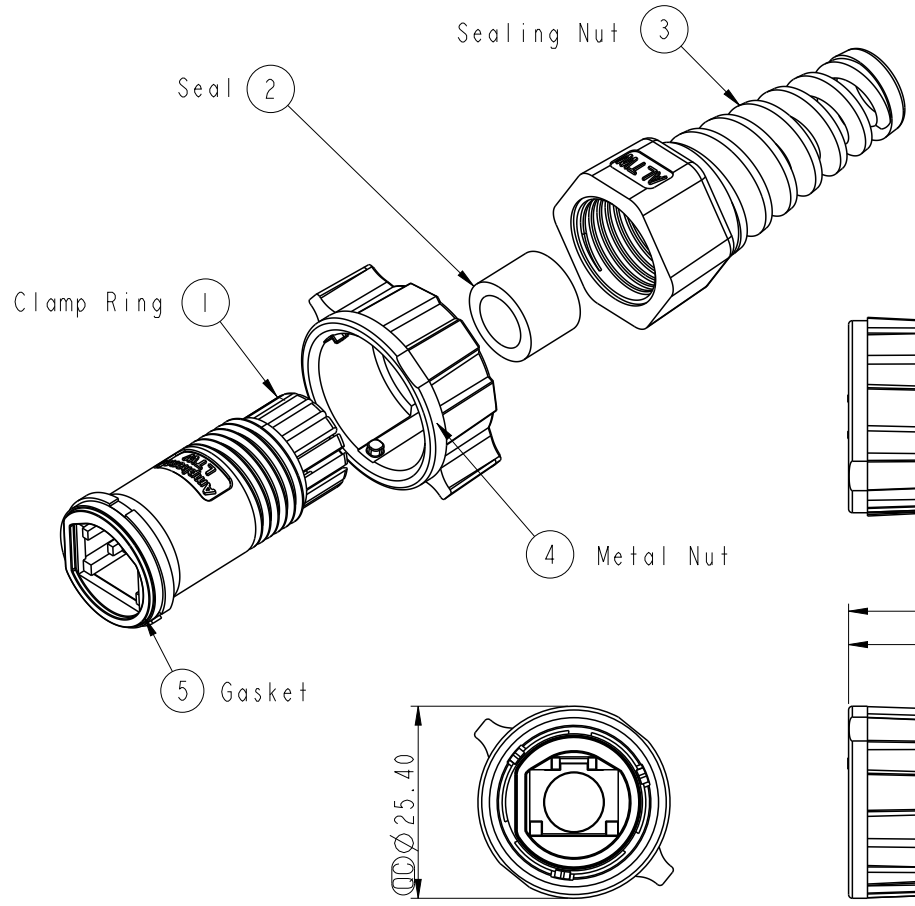


REV.	ECN NO.	DATE	SIGN	DESCRIPTION
A		2017/03/29	Kris	Initial Release



- Note:
- * (∅) Important dimension to check
 - * Waterproof Rate: IP67 (Mating)
 - * Clamp Ring: Nylon, Black.
 - * Metal Nut: ZINC Alloy, Nickel plated.
 - * Sealing Nut: Nylon, Black
 - * Seal & Gasket: Silicone, Drak Gray
 - * Seals for cable OD range: ∅4.5-∅6.5mm

UNIT: mm		
TOLERANCE		
.X	±0.25	
.XX	±0.1	
.XXX	±0.05	
ANGLES	±1°	

TITLE RJ Field installable, Metal Nut			
SCALE 1:1	SIZE A4	SHEET 1 OF 1	
REV. A	WC-REV. A.5	∅: Inspection item	

Amphenol LTW
安費諾亮泰企業股份有限公司

ITEM NO. RCM-00AMMA-TLM7001	DRAWN BY Kris	DATE 2017/03/29
DWG NO. RCM-00AMMA-TLM7001	CHECKED BY Lodess	DATE 2017/03/29
CUSTOMER ALTW	APPROVED BY Max	DATE 2017/03/29

THIS DOCUMENT IS SUBJECT TO CHANGE WITHOUT NOTICE. IT IS CONFIDENTIAL AND A PROPERTY OF Amphenol LTW. DISCLOSURE TO THIRD PARTY HAS TO BE AUTHORIZED BY Amphenol LTW.