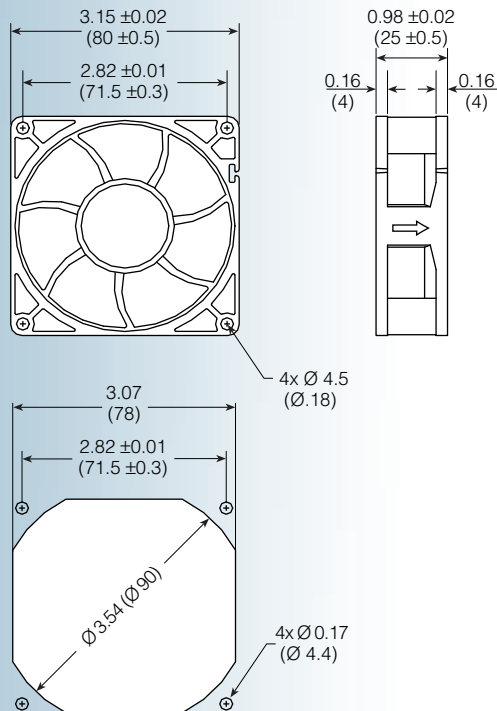
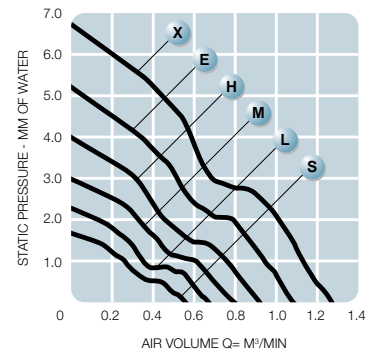


F8025-G series



Size: (80 x 80 x 25 mm)
3.15 x 3.15 x 0.98 inches

- Features:** *high pressure impeller design*
- Construction:** UL94V-0 PBT impeller & frame
- Bearing option:** ball bearing or sleeve
- Connection:** AWG 24, UL1007 lead wires
- Frame:** flanged or ribbed
- Protection:** thermal
- Options:** tachometer output signal;
 locked rotor alarm signal;
 thermistor speed control;
 PWM duty control



Model No.	Rated Voltage V	Current mA			Revolution RPM	Air Volume		Max Static Pressure (H ₂ O)		Sound Noise dBA	Weight g
		5	12	24		M ³ /Min	CFM	MM	INCH		
F8025S-G	5/12/24	150	75	50	2,000	0.55	19	1.63	0.06	21	79
F8025L-G	5/12/24	200	90	60	2,400	0.67	24	2.24	0.09	23	79
F8025M-G	5/12/24	290	120	80	2,800	0.80	28	2.96	0.12	26	79
F8025H-G	5/12/24	420	145	90	3,200	0.92	32	3.98	0.16	29	79
F8025E-G	5/12/24	800	240	140	3,800	1.08	38	5.20	0.20	33	79
F8025X-G	12/24	-	480	260	4,400	1.27	45	6.73	0.26	38	79