

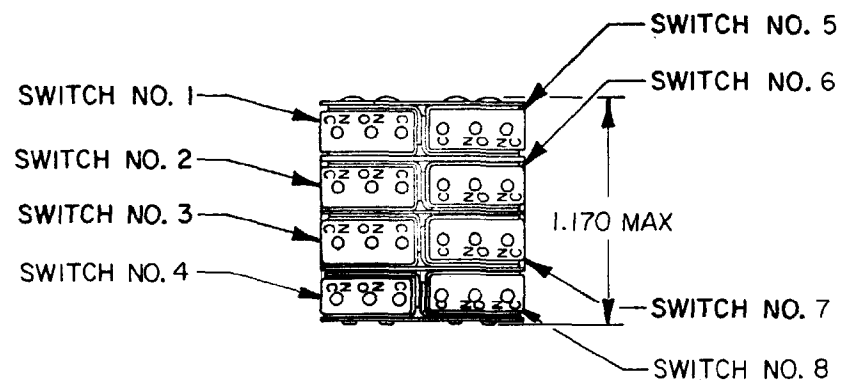
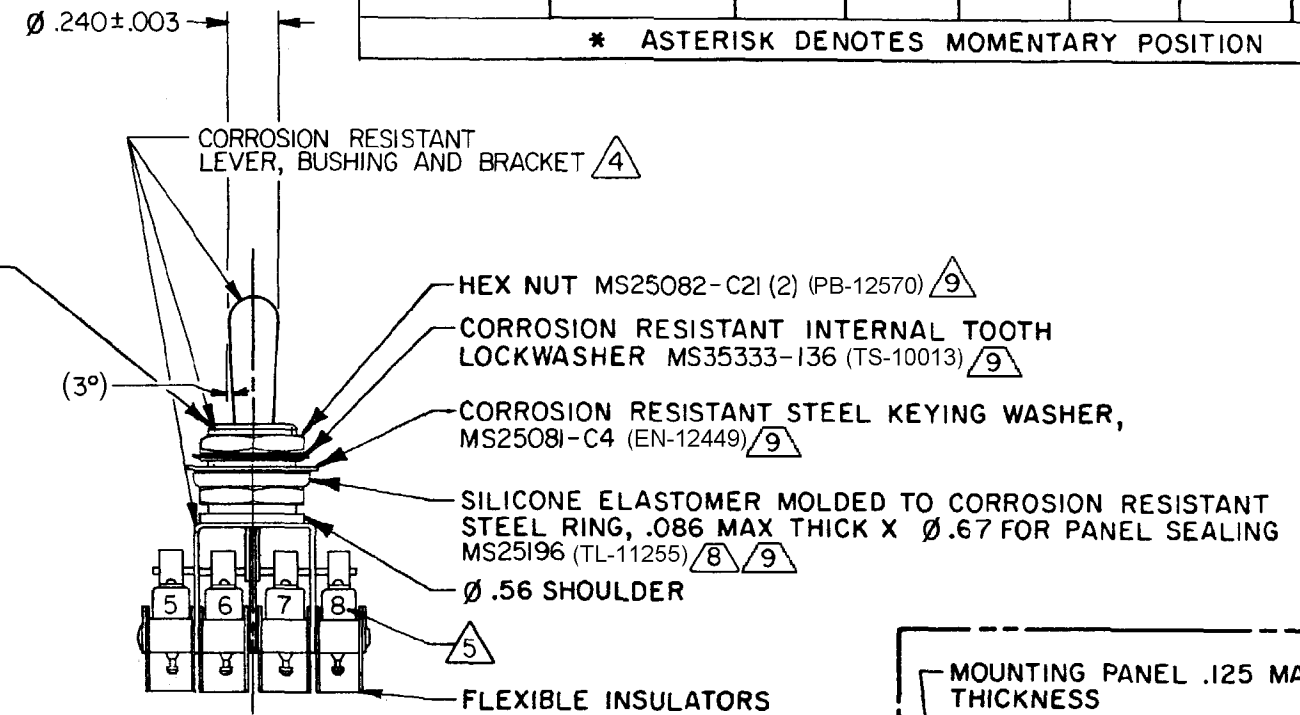
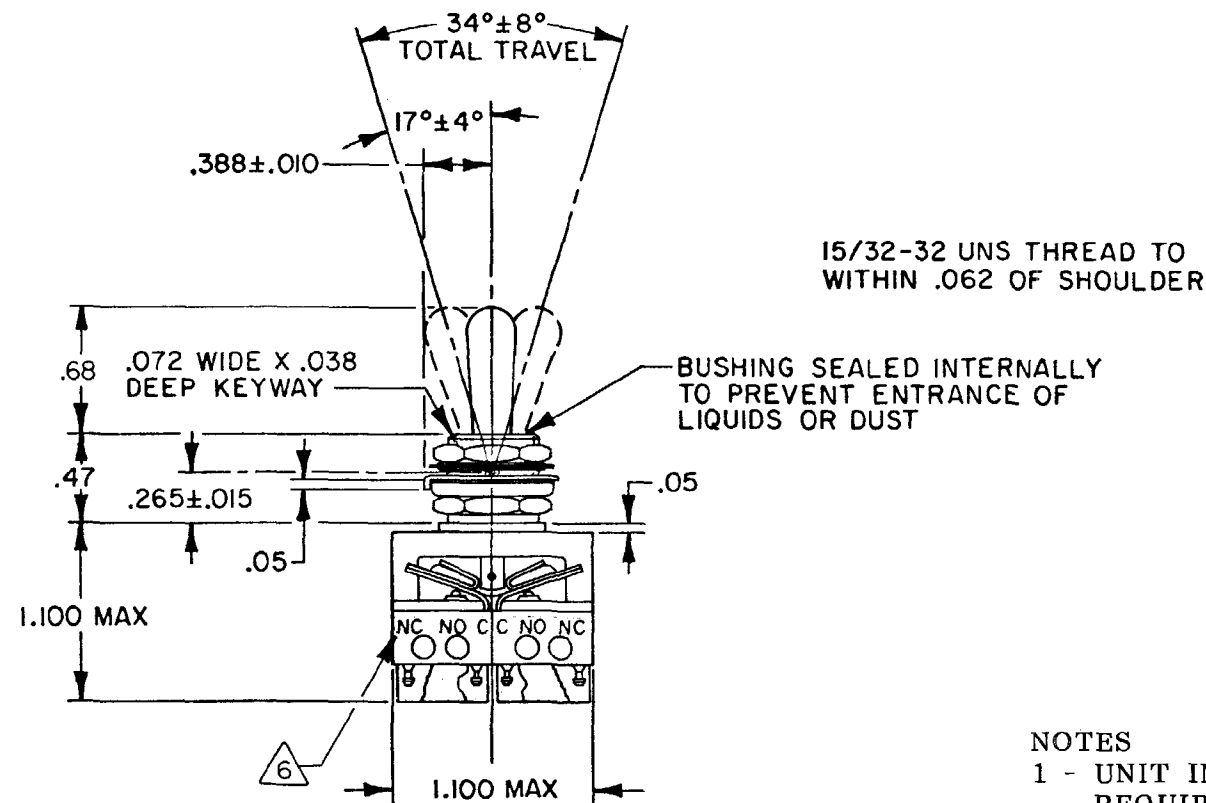
MICRO SWITCH
 FREEPORT, ILLINOIS, U.S.A.
 A DIVISION OF HONEYWELL
 FED. MFG. CODE 91929

**ASSEMBLY -
 TOGGLE SWITCH**

CATALOG LISTING
68AT300 SERIES
CHART 1

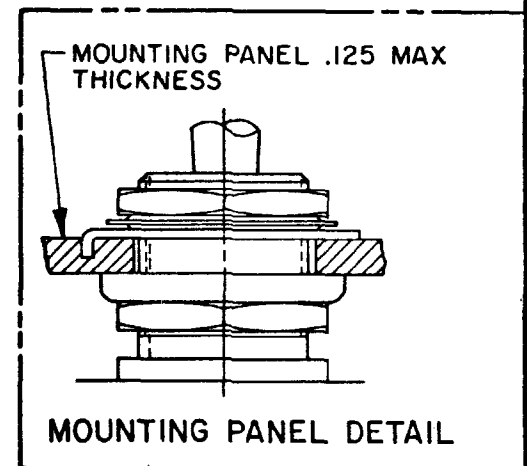
MILITARY PART NUMBER	CATALOG LISTING	KEYWAY POSITION		CENTER POSITION		OPPOSITE KEYWAY POSITION	
		C-NC	C-NO	C-NO	C-NC	C-NC	C-NO
M8805/98-063	68AT300-1	1,2,3,4	5,6,7,8	NONE	ALL	5,6,7,8	1,2,3,4
M8805/98-077	68AT300-3	1,2,3,4	5,6,7,8	NONE	NONE	5,6,7,8	1,2,3,4
M8805/98-081	(F)	1,2,3,4*	5,6,7,8*	NONE	ALL	5,6,7,8	1,2,3,4
M8805/98-088	(G)	1,2,3,4*	5,6,7,8*	NONE	ALL	5,6,7,8*	1,2,3,4*

* ASTERISK DENOTES MOMENTARY POSITION



NOTES

- 1 - UNIT INCLUDES "SX" TYPE BASIC SWITCH (8) (MEETS REQUIREMENTS OF MIL-PRF-8805/4)
- 2 - SWITCHES DO NOT NECESSARILY OPERATE SIMULTANEOUSLY
- 3 - TERMINALS ARE PLATED FOR SOLDERING
- (4) DULL FINISH ON LEVER AND BUSHING
- (5) SWITCH NUMBERS STAMPED ON END OF BASIC SWITCHES
- (6) TERMINAL DESIGNATION STAMPED ON BOTH SIDES OF UNIT
- 7 - WHEN LEVER IS MOVED OUT OF A MAINTAINED POSITION, IT WILL RETURN OF ITS OWN ACCORD TO THE ORIGINAL POSITION OR THE ADJACENT POSITION. THE TOGGLE LEVER MAY HANG UP BETWEEN THE TWO ADJACENT POSITIONS ONLY BY EXERTING CONSIDERABLE EFFORT
- (8) FOR PANEL SEAL TO BE EFFECTIVE MOUNTING HOLE IN PANEL SHOULD NOT EXCEED .500 DIAMETER
- (9) HARDWARE FURNISHED ASSEMBLED WITH SWITCH OR IN PACKET 15PA314-AT PER MIL-PRF-8805
- 10 - REPLACEMENT MOUNTING HARDWARE PACKET 15PA314-AT



CATALOG LISTING
68AT300 SERIES CHART 1
 PAGE 1 OF 1

ISSUE
M
 13

REPLACES

RELEASE NO. PR-10838

26NOV07

ASD

CHECK

REVISIONS

L	0010773	TCC/AP	25 JAN 05
M	0035333	BS	26NOV07
C	0063381	CO	63381
D	0072702	CO	72702
E	0072702	CO	72702
F	0093153	CO	93153
G	0095302	CSL	8 NOV 99
H	203819	S A V	4 SEPT 01
J	204159	CSL	15 OCT 01
K	204763	G J W	28 JAN 02

RASTER
 FO-5285 1-B

DRAWN

7 JAN 82

R J H

THIS DRAWING COVERS A PROPRIETARY ITEM AND IS THE PROPERTY OF MICRO SWITCH, A DIVISION OF HONEYWELL. THIS DRAWING IS NOT TO BE COPIED OR USED WITHOUT THE APPROVAL OF MICRO SWITCH.

CHARACTERISTICS	ELECTRICAL DATA
OPERATING FORCE --- FORCE TO MOVE LEVER FROM ONE POSITION TO ANY ADJACENT POSITION, 1-5 LB. APPLIED .125±.030 BELOW TOP OF LEVER	CONTACT ARRANGEMENT S P D T (8)

SCALE FULL			
DO NOT SCALE PRINT			
TOLERANCES APPLY TO DESIGN UNITS. CONVERSIONS ARE ONLY FOR REFERENCE. UNLESS NOTED, TOLERANCES ARE 2			
DIM.	TOL.	DIM.	TOL.
IN	IN	MM	MM
NO PLACES	X	1/04	
ONE PLACE	X,X	0.4/016	X,X 0.4/03
TWO PLACES	X,XX	0.16/008	X,XX 0.38/015
THREE PLACES	X,XXX	0.16/008	X,XXX 0.13/005
ANGLES			
DESIGN UNITS	SI METRIC	US CUSTOMARY	
	<input type="checkbox"/>	<input checked="" type="checkbox"/>	
THIRD ANGLE PROJECTION			
WEIGHT	.09 LB APPROX		

LOAD	ELECTRICAL RATINGS		
	SEA LEVEL		50,000 FT
	28 Vdc (AMPERES)	115 Vac, 60 Hz (AMPERES)	28 Vdc (AMPERES)
RESISTIVE	7	7	4
INDUCTIVE	4	7	2.5