

product specifications for: Receptacle

Item #: 3015R-AM1

Description

Receptacle, single locking.

Electrical Specifications

30 amperes, 250 volts, 3 phase,
3-Pole, 4-Wire, NEMA configuration L15-30R.

Material Specifications

All plastic parts are black, glass-filled, heat resistant nylon with a UL flammability rating of 94V-0.
Mounting straps, rivets and grounding strip are solid brass.

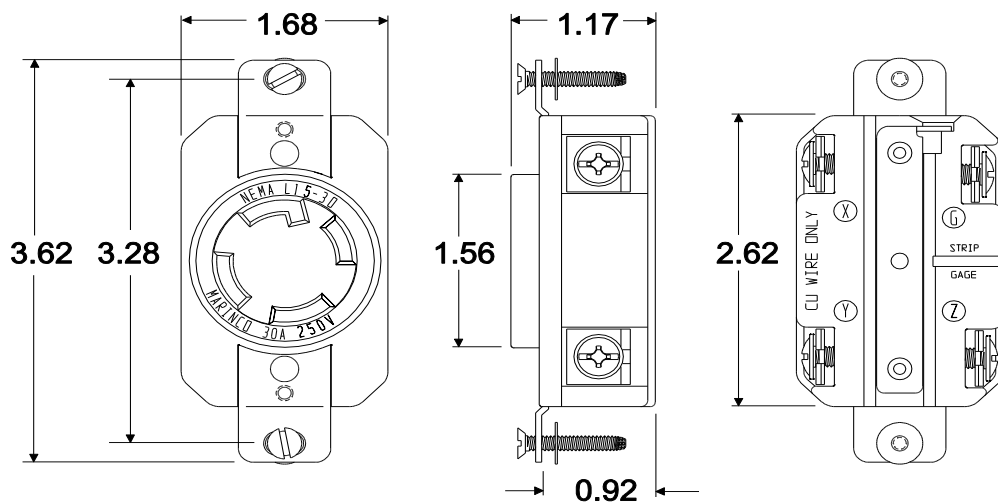
Terminals

Clamp-type. Clamp nut not included. Terminal screws are solid brass, No. 10, slot/cross head. Cross head accommodates #2 driver.



Certifications

UL listed, File E111198
CSA certified, File LR81290



Dimensions shown in inches