

Front plate - ECS-P-122X169-S-UV-2M12 GY



1050379

<https://www.phoenixcontact.com/pc/products/1050379>

Please be informed that the data shown in this PDF document is generated from our Online Catalog. Please find the complete data in the user documentation. Our General Terms of Use for Downloads are valid.

Screw locking two female M12 faceplate of the ECS Family. IP66/67/69 rated when mated with associated enclosure. Color: Grey (7042), Width: 163 mm, Height: 30 mm, Depth: 62 mm



Your advantages

- Housing design supports the installation of a range of PCB thicknesses for high application diversity
- Optional accessories for wall and mast mounting
- Proven PCB connection technology
- Integrated tamper protection
- Effective protection of electronics against thermal and mechanical influences
- Suitable for outdoor/indoor applications

Commercial Data

Item number	1050379
Packing unit	5 pc
Minimum order quantity	5 pc
Product Key	ACFDAB
GTIN	4055626665238
Weight per Piece (including packing)	128.5 g
Weight per Piece (excluding packing)	128.5 g
Customs tariff number	84879090
Country of origin	US

Front plate - ECS-P-122X169-S-UV-2M12 GY

1050379

<https://www.phoenixcontact.com/pc/products/1050379>

Technical Data

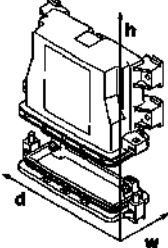
Notes

Assembly instruction:	Refer to the data sheet for the range in the download area.
-----------------------	---

Product properties

Product type	Front plate
Housing type	outdoor housings
Housing series	ECS

Dimensions

Dimensional drawing	
Width	163 mm
Height	30 mm
Depth	62 mm

PCB design

PCB thickness	1.57 mm ... 2.36 mm
---------------	---------------------

Material specifications

Color	gray (7042)
Flammability rating according to UL 94	V0
Impact strength	IK08
Housing material	PC (polycarbonate)

Mechanical tests

Hammer test

Specification	EN 50102:1995
Impact energy	5 J
Number of drop cycles	5

Environmental and real-life conditions

Vibration test

Specification	IEC 60068-2-6:2007-12
Frequency	10 - 2000 - 10 Hz
Sweep speed	1 octave/min

Front plate - ECS-P-122X169-S-UV-2M12 GY



1050379

<https://www.phoenixcontact.com/pc/products/1050379>

Acceleration	15g (61.6 Hz ... 2000 Hz)
Test duration per axis	2.5 h
Test directions	X-, Y- and Z-axis

Glow-wire test

Specification	IEC 60695-2-11:2014-02
Temperature	850 °C
Time of exposure	30 s

Mechanical strength / tumbling barrel

Specification	IEC 60068-2-31:2008-05
Height of fall	50 cm
Frequency	50

Shocks

Specification	IEC 60068-2-27:2008-02
Pulse shape	Semi-sinusoidal
Acceleration	50g
Shock duration	11 ms
Number of shocks per direction	3
Test directions	X-, Y- and Z-axis (pos. and neg.)

Salt spray test

Specification	DIN EN 60068-2-11:2000-02
Test duration	96 h

Test for substances that would hinder coating with paint or varnish

Specification	VDMA 24364:2018-05
Result	Test passed

Degree of protection (IP code)

Specification	IEC 60529:1989-11 + AMD 1:1999-11 + AMD 2:2013-08
Result, degree of protection, IP code	IP66/IP68 (2 m/24 h)

Ambient conditions

Degree of protection	IP66/IP67
Max. NEMA code to attain	6
Impact strength	IK08
Ambient temperature (operation)	-40 °C ... 100 °C
Ambient temperature (storage/transport)	-40 °C ... 100 °C

PCB data

Number of PCB holders	1
Thickness of the PCB	1.57 mm ... 2.36 mm

Mounting

Mounting type	Screw locking
---------------	---------------

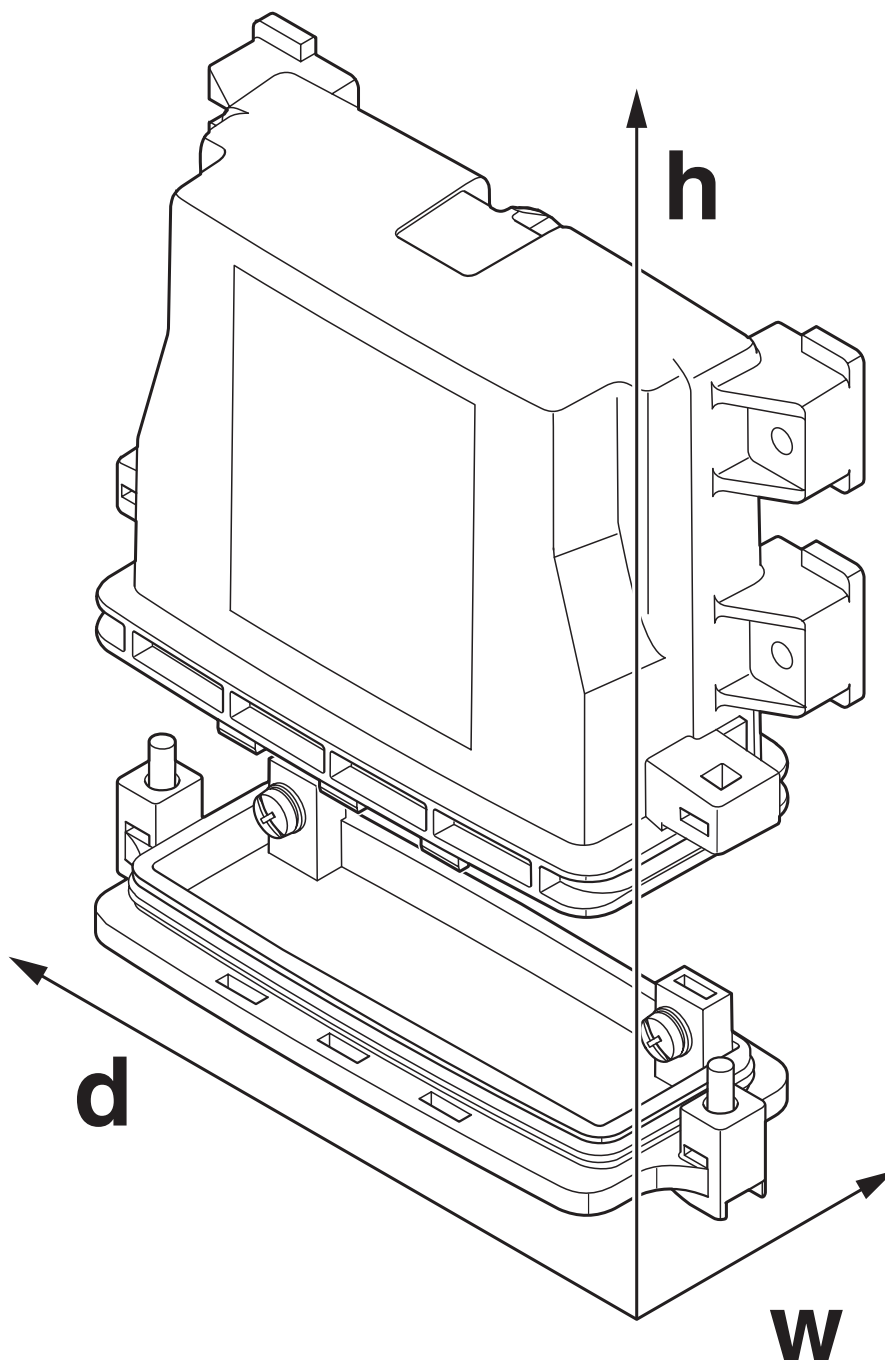
Front plate - ECS-P-122X169-S-UV-2M12 GY

1050379

<https://www.phoenixcontact.com/pc/products/1050379>

Drawings

Dimensional drawing



Schematic figure for illustrating the item dimensions. The figure is not of the desired product. For further details, refer to the product drawings in the "Downloads" tab.

Front plate - ECS-P-122X169-S-UV-2M12 GY



1050379

<https://www.phoenixcontact.com/pc/products/1050379>

Approvals

DNV

Approval ID: TAE00003W8

Front plate - ECS-P-122X169-S-UV-2M12 GY



1050379

<https://www.phoenixcontact.com/pc/products/1050379>

Classifications

ECLASS

ECLASS-9.0	27182702
ECLASS-10.0.1	27182702
ECLASS-11.0	27182702

ETIM

ETIM 8.0	EC001031
----------	----------

UNSPSC

UNSPSC 21.0	31261500
-------------	----------

Front plate - ECS-P-122X169-S-UV-2M12 GY



1050379

<https://www.phoenixcontact.com/pc/products/1050379>

Environmental Product Compliance

REACH SVHC	Lead 7439-92-1
China RoHS	Environmentally Friendly Use Period = 50 years
	For information on hazardous substances, refer to the manufacturer's declaration available under "Downloads"

Front plate - ECS-P-122X169-S-UV-2M12 GY

1050379

<https://www.phoenixcontact.com/pc/products/1050379>

Accessories

Flush-type connector

Flush-type connector - SACC-CI-M12FS-4CON-L 90 SH SCO - 1432444

<https://www.phoenixcontact.com/pc/products/1432444>



Flush-type connector, 4-position, Socket, straight, A-coded, PCB mounting,
Solder pins item no.: 1239612

Flush-type connector

Flush-type connector - SACC-CI-M12FS-4CON-L90 SCO - 1436628

<https://www.phoenixcontact.com/pc/products/1436628>



Flush-type connector, 4-position, Socket, straight, A-coded, PCB mounting,
Solder pins item no.: 1239625

Front plate - ECS-P-122X169-S-UV-2M12 GY

1050379

<https://www.phoenixcontact.com/pc/products/1050379>

Flush-type connector

Flush-type connector - SACC-CI-M12FSD-4CON-L90 SCO - 1432457

<https://www.phoenixcontact.com/pc/products/1432457>



Flush-type connector, Ethernet/PROFINET CAT5 (100 Mbps), 4-position, Flush-type female connector, straight, M12, D - data, PCB mounting, Solder pins item no.: 1237421

Flush-type connector

Flush-type connector - SACC-CI-FS-5CON-L 90 SH SCO - 1432431

<https://www.phoenixcontact.com/pc/products/1432431>



Flush-type connector, 5-position, Socket, straight, A-coded, PCB mounting, Solder pins item no.: 1239611

Front plate - ECS-P-122X169-S-UV-2M12 GY

1050379

<https://www.phoenixcontact.com/pc/products/1050379>

Flush-type connector

Flush-type connector - SACC-CI-M12FS-5CON-L90 SCO - 1436644

<https://www.phoenixcontact.com/pc/products/1436644>



Sensor/actuator flush-type connector, socket, 5-pos., A-coded, with angled solder connection, only contact insert

Flush-type connector

Flush-type connector - SACC-CI-M12FS-8CON-L90 SH SCO - 1437009

<https://www.phoenixcontact.com/pc/products/1437009>



Flush-type connector, 8-position, Socket, straight, A-coded, PCB mounting, Solder pins item no.: 1239641

Front plate - ECS-P-122X169-S-UV-2M12 GY

1050379

<https://www.phoenixcontact.com/pc/products/1050379>

Flush-type connector

Flush-type connector - SACC-CI-M12FS-8CON-L90 SCO - 1436990

<https://www.phoenixcontact.com/pc/products/1436990>



Flush-type connector, 8-position, Socket, straight, A-coded, PCB mounting, Solder pins item no.: 1239640

Flush-type connector

Flush-type connector - SACC-CI-M12FS-12CON-L90 SH - 1424199

<https://www.phoenixcontact.com/pc/products/1424199>



Flush-type connector, 12-position, PCB mounting, Solder pins item no.: 1239456

Front plate - ECS-P-122X169-S-UV-2M12 GY

1050379

<https://www.phoenixcontact.com/pc/products/1050379>

Flush-type connector

Flush-type connector - SACC-CI-M12FS-12CON-L90 - 1424195

<https://www.phoenixcontact.com/pc/products/1424195>



Flush-type connector, 12-position, PCB mounting, Solder pins item no.: 1239452

Flush-type connector

Flush-type connector - SACC-CI-M12FS-17CON-L90 SH - 1424201

<https://www.phoenixcontact.com/pc/products/1424201>



Flush-type connector, 17-position, PCB mounting, Solder pins item no.: 1239458

Front plate - ECS-P-122X169-S-UV-2M12 GY

1050379

<https://www.phoenixcontact.com/pc/products/1050379>

Flush-type connector

Flush-type connector - SACC-CI-M12FS-17CON-L90 - 1424197

<https://www.phoenixcontact.com/pc/products/1424197>



Flush-type connector, 17-position, PCB mounting, Solder pins item no.: 1239454

Flush-type female connector

Flush-type female connector - SACC-CI-M12FSY-8CON-L90 - 1424193

<https://www.phoenixcontact.com/pc/products/1424193>



Flush-type female connector CAT5 (IEC 11801:2002), 8-position, Wave soldering contacts item no.: 1239450

Front plate - ECS-P-122X169-S-UV-2M12 GY

1050379

<https://www.phoenixcontact.com/pc/products/1050379>

Screw plug

Screw plug - PROT-M12 - 1680539

<https://www.phoenixcontact.com/pc/products/1680539>



An M12 screw plug for the unoccupied M12 sockets of the sensor/actuator cable, boxes and flush-type connectors

Screw plug

Screw plug - PROT-M12 SH - 1503302

<https://www.phoenixcontact.com/pc/products/1503302>



An M12 screw plug for the unoccupied M12 sockets of the shielded sensor/actuator cable, boxes and flush-type connectors

Front plate - ECS-P-122X169-S-UV-2M12 GY

1050379

<https://www.phoenixcontact.com/pc/products/1050379>

Device connector, rear mounting

Device connector, rear mounting - SACC-CI-M12FSX-8CON-L90 - 1424180

<https://www.phoenixcontact.com/pc/products/1424180>



Device connector, rear mounting, Ethernet CAT6_A (10 Gbps), 8-position, Flush-type female connector, straight, M12, X - data, Rear mounting, Wave soldering contacts item no.: 1237389

Screwdriver

Screwdriver - SZS 1,0X6,5 VDE - 1205079

<https://www.phoenixcontact.com/pc/products/1205079>



Screwdriver, slot-headed, VDE insulated, size: 1.0 x 6.5 x 150 mm, 2-component grip, with non-slip grip

Front plate - ECS-P-122X169-S-UV-2M12 GY

1050379

<https://www.phoenixcontact.com/pc/products/1050379>

Electronic housing

Electronic housing - ECS-B-122X169-S-UV-V GY - 1050209

<https://www.phoenixcontact.com/pc/products/1050209>



Screw locking vented enclosure of the ECS Family. IP66/67/69 rated when mated with associated faceplate. Color: Grey (7042), Width: 164 mm, Height: 176 mm, Depth: 64 mm

Electronic housing

Electronic housing - ECS-B-122X169-S-UV-NV GY - 1050207

<https://www.phoenixcontact.com/pc/products/1050207>



Screw locking non-vented enclosure of the ECS Family. IP66/67/69 rated when mated with associated faceplate. Color: Grey (7042), Width: 164 mm, Height: 176 mm, Depth: 64 mm

Front plate - ECS-P-122X169-S-UV-2M12 GY



1050379

<https://www.phoenixcontact.com/pc/products/1050379>

Electronic housing

Electronic housing - ECS-B-122X109-S-UV-NV GY - 1054706

<https://www.phoenixcontact.com/pc/products/1054706>

Screw locking non-vented enclosure of the ECS family. IP66/67/69 rated when mated with associated faceplate. Color: Grey (7042), Width: 164 mm, Height: 116 mm, Depth: 64 mm



Electronic housing

Electronic housing - ECS-B-122X109-S-UV -V GY - 1054708

<https://www.phoenixcontact.com/pc/products/1054708>

Screw locking vented enclosure of the ECS Family. IP66/67/69 rated when mated with associated faceplate. Color: Grey (7042), Width: 164 mm, Height: 116 mm, Depth: 64 mm



Phoenix Contact 2023 © - all rights reserved
<https://www.phoenixcontact.com>

PHOENIX CONTACT GmbH & Co. KG
Flachsmarktstraße 8
D-32825 Blomberg
+49 (0) 5235-3 00
info@phoenixcontact.com