

Network cable - VS-M12FSBP-PPC/PL-93E-LI/2,0



1406603

<https://www.phoenixcontact.com/us/products/1406603>

Please be informed that the data shown in this PDF document is generated from our Online Catalog. Please find the complete data in the user documentation. Our General Terms of Use for Downloads are valid.



Assembled Ethernet cable, CAT5e, shielded, 2-pair, AWG 26 stranded (7-wire), RAL 5021 (water blue), M12 flush-type socket, rear/screw mounting with M16 thread on RJ45 plug/IP67 push-pull plastic housing, line, length 2 m

Commercial Data

Item number	1406603
Packing unit	1 pc
Minimum order quantity	1 pc
Note	Made to Order (non-returnable)
Sales Key	A08
Product Key	ABNEAI
Catalog Page	Page 399 (C-2-2019)
GTIN	4046356476164
Weight per Piece (including packing)	146 g
Weight per Piece (excluding packing)	146 g
Customs tariff number	85444290
Country of origin	PL

1406603

<https://www.phoenixcontact.com/us/products/1406603>

Technical Data

Product properties

Product type	Data cable preassembled
Number of positions	4
No. of cable outlets	1
Number of slots	1
Shielded	yes
Cable outlet	straight

Insulation characteristics

Degree of pollution	3
---------------------	---

Electrical properties

Transmission medium	Copper
---------------------	--------

Material specifications

Flammability rating according to UL 94	V2
--	----

Connector

Insertion/withdrawal cycles	≥ 100
-----------------------------	-------

Connection 1

Coding type	D (Data)
Degree of protection	IP67

Connection 2

Material	Plastic
----------	---------

Cable / line

Cable length	2.00 m
Cable weight	43.00 kg/km
Cable type	Ethernet
Cable structure	2x2xAWG26/7; SF/UTP
External cable diameter	6.70 mm
Outer sheath, material	PUR
External sheath, color	water blue RAL 5021
Conductor material	Bare Cu litz wires
Conductor structure signal line	7x 0.16 mm
AWG signal line	26
Wire diameter incl. insulation	1 mm
Single wire, color	white-orange, white-green
Smallest bending radius, fixed installation	33.5 mm (cable, fixed installation)
Smallest bending radius, movable installation	33.5 mm (Cable, flexible installation)
Smallest bending radius, fixed installation	33.5 mm (cable, fixed installation)

Network cable - VS-M12FSBP-PPC/PL-93E-LI/2,0



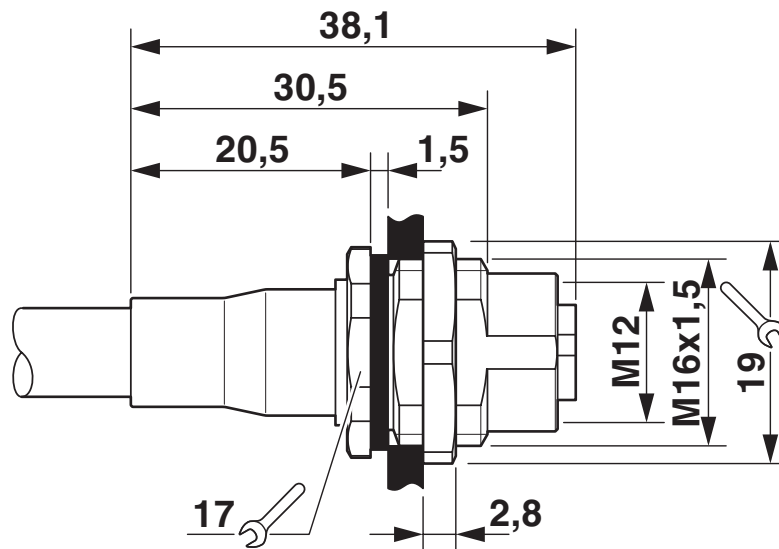
1406603

<https://www.phoenixcontact.com/us/products/1406603>

Smallest bending radius, movable installation	33.5 mm (Cable, flexible installation)
---	--

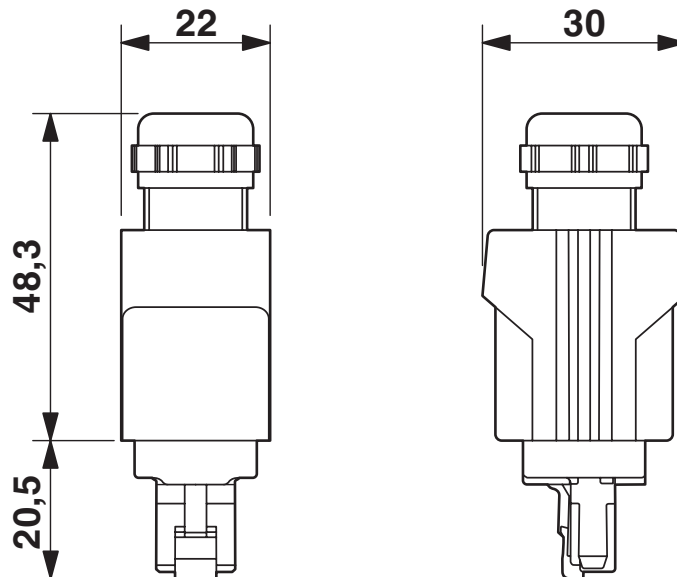
Drawings

Dimensional drawing



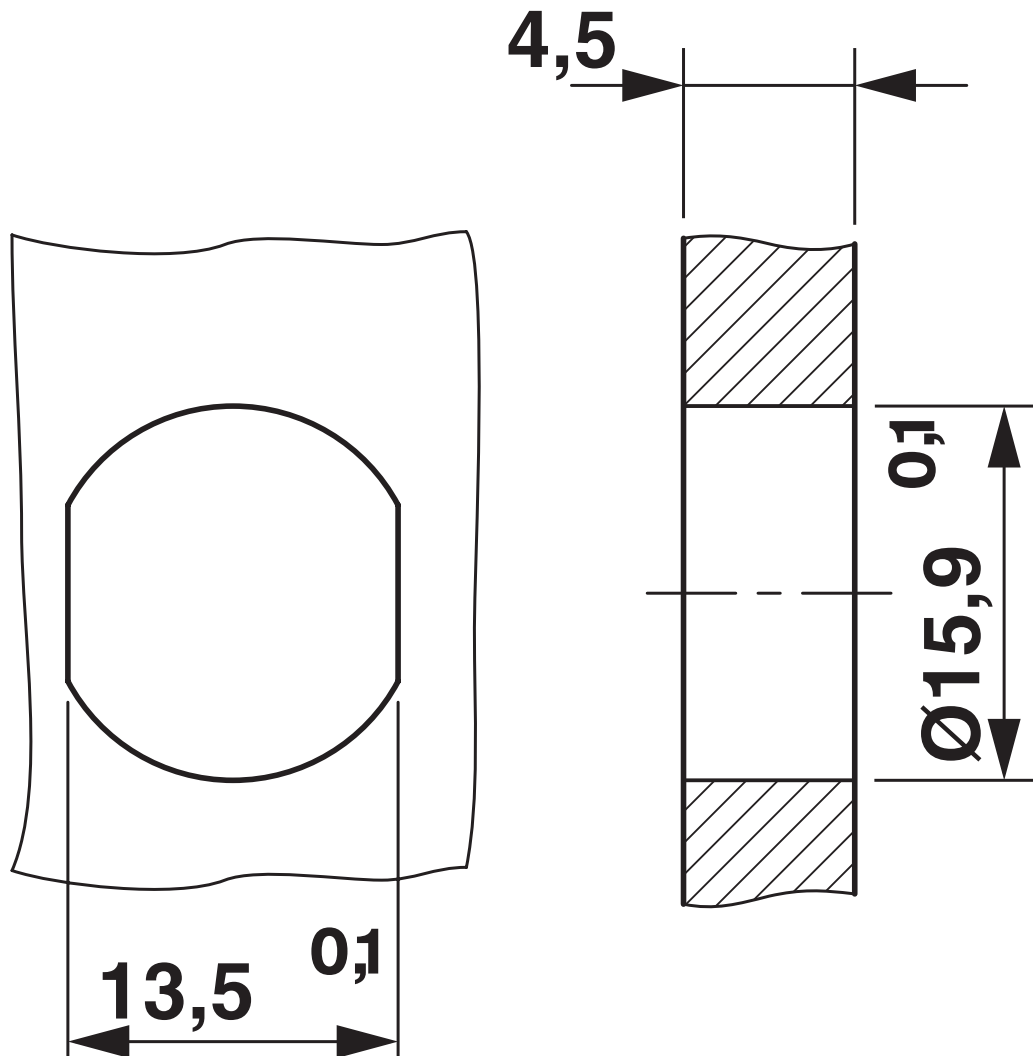
M12 flush-type connector

Dimensional drawing



Push-pull RJ45 connector IP65/67

Dimensional drawing



Housing cutout for M16 fastening thread, mounting panel with feed-through hole (alternatively with surface as protection against rotation)

Network cable - VS-M12FSBP-PPC/PL-93E-LI/2,0



1406603

<https://www.phoenixcontact.com/us/products/1406603>

Approvals



EAC

Approval ID: 19060508

Network cable - VS-M12FSBP-PPC/PL-93E-LI/2,0



1406603

<https://www.phoenixcontact.com/us/products/1406603>

Classifications

ECLASS

ECLASS-9.0	27060308
ECLASS-10.0.1	27060308
ECLASS-11.0	27060308

ETIM

ETIM 8.0	EC002599
----------	----------

UNSPSC

UNSPSC 21.0	26121600
-------------	----------

Network cable - VS-M12FSBP-PPC/PL-93E-LI/2,0



1406603

<https://www.phoenixcontact.com/us/products/1406603>

Environmental Product Compliance

REACH SVHC	Lead 7439-92-1
China RoHS	Environmentally Friendly Use Period = 50 years
	For information on hazardous substances, refer to the manufacturer's declaration available under "Downloads"

Phoenix Contact 2022 © - all rights reserved

<https://www.phoenixcontact.com>

Phoenix Contact USA
586 Fulling Mill Road
Middletown, PA 17057, United States
(+717) 944-1300
info@phoenixcon.com