

Device connector, rear mounting - SACCBP-FS-4CON-M16/2,0-PUR SCO



1419315

<https://www.phoenixcontact.com/pc/products/1419315>

Please be informed that the data shown in this PDF document is generated from our Online Catalog. Please find the complete data in the user documentation. Our General Terms of Use for Downloads are valid.



Device connector, rear mounting, Universal, 4-position, PUR, black-gray RAL 7021, Flush-type female connector, straight, M12-SPEEDCON, A, on free cable end, Rear mounting, M16 x 1.5, Cable connection, cable length: 2 m, PUR halogen-free black item no.: 1239246

Your advantages

- Pre-assembled with cables in various standard lengths for immediate use
- Customer-specific assemblies and cable lengths can be supplied
- Sealed on the cable side for optimum tightness of seal
- For high transmission safety: shield connection to the housing with optional EMC nut

Commercial Data

Item number	1419315
Packing unit	1 pc
Minimum order quantity	1 pc
Product Key	ABQCED
Catalog Page	Page 51 (C-2-2019)
GTIN	4046356533270
Weight per Piece (including packing)	107.5 g
Weight per Piece (excluding packing)	96.4 g
Customs tariff number	85444290
Country of origin	DE

Technical Data

Notes

Notes on operation	The electrical and mechanical data specified assume that the connector pair is correctly locked and mounted. If the connector is unlocked and if there is a danger of contamination, the connector must be sealed using a protective cap > IP54. Influences arising from litz wires, cables or PCB assembly must also be taken into consideration.
Safety note	WARNING: The connectors may not be plugged in or disconnected under load. Ignoring the warning or improper use may damage persons and/or property.
Safety note	<ul style="list-style-type: none">• WARNING: Commission properly functioning products only. The products must be regularly inspected for damage. Decommission defective products immediately. Replace damaged products. Repairs are not possible.• WARNING: Only electrically qualified personnel may install and operate the product. They must observe the following safety notes. The qualified personnel must be familiar with the basics of electrical engineering. They must be able to recognize and prevent danger. The relevant symbol on the packaging indicates that only personnel familiar with electrical engineering are allowed to install and operate the product.• The products are suitable for applications in plant, controller, and electrical device engineering.• When operating the connectors in outdoor applications, they must be separately protected against environmental influences.• Assembled products may not be manipulated or improperly opened.• Only use mating connectors that are specified in the technical data of the standards listed (e.g. the ones listed in the product accessories online at phoenixcontact.com/products).• When using the product in direct connection with third-party manufacturers, the user is responsible.• For operating voltages > 50 V AC, conductive connector housings must be grounded• Ensure that when laying the cable, the tensile load on the connectors does not exceed the upper limit specified in the standards.• Observe the corresponding technical data. You will find information:<ul style="list-style-type: none">o On the producto On the packing labelo In the supplied documentationo Online at phoenixcontact.com/products under the product• Only use tools recommended by Phoenix Contact• Use a protective cap to protect connectors that are not in use. The suitable accessories are available online in the accessory section of the product at phoenixcontact.com/products

Device connector, rear mounting - SACCBP-FS-4CON-M16/2,0-PUR SCO



1419315

<https://www.phoenixcontact.com/pc/products/1419315>

	<ul style="list-style-type: none">• Ensure that the protective or functional ground has been properly connected.• VDE 0100/1.97 § 411.1.3.2 and DIN EN 60 204/11.98 § 14.1.3 are applicable when combining several circuits in a cable and/or connector• The connector warms up in normal operation. Depending on the ambient conditions, the surface of the connector can continue to warm up. In this case, the user is responsible for posting warnings (e.g. DIN EN ISO 13732-1:2008-12).
--	---

Mounting

Mounting type	Rear mounting M16 x 1.5 With flat nut
Assembly instructions	With flat nut

Product properties

Product type	Circular connectors (device side)
Number of positions	4
No. of cable outlets	1
Shielded	yes
Coding	A - standard

Insulation characteristics

Overvoltage category	II
Degree of pollution	3

Material specifications

Flammability rating according to UL 94	V0
Sealing material	FKM
Contact material	CuZn
Contact surface material	Au
Contact carrier material	PA 6.6
Material for screw connection	Zinc die-cast, nickel-plated

Electrical properties

Rated surge voltage	2.5 kV
Contact resistance	≤ 3 mΩ
Insulation resistance	≥ 100 MΩ
Nominal voltage U_N	250 V
Nominal current I_N	4 A (Plug/socket in accordance with IEC 61076-2-101, cable technical data is to be observed)
Transmission medium	Copper

Connection data

Conductor connection	
Connection method	Cable connection

Device connector, rear mounting - SACCBP-FS-4CON-M16/2,0-PUR SCO



1419315

<https://www.phoenixcontact.com/pc/products/1419315>

Type of contact	Crimp contacts
Tightening torque	3 Nm
	4 Nm

Connector

Connection 1

Head design	Flush-type female connector
Head cable outlet	straight
Head thread type	M12
Head locking type	SPEEDCON
Coding	A


Connection 2

Head design	free cable end
-------------	----------------

Cable / line

Cable length	2 m
--------------	-----

PUR halogen-free black [PUR]

Dimensional drawing	
Cable weight	36 kg/km
UL AWM Style	20549 / 10493 (80°C/300 V)
Number of positions	4
Shielded	yes
Cable type	PUR halogen-free black [PUR]
Conductor structure signal line	42x 0.10 mm
AWG signal line	22
Conductor cross section	4x 0.34 mm ² (Signal line)
Wire diameter incl. insulation	1.27 mm ±0.02 mm (Signal line)
External cable diameter	4.95 mm ±0.2 mm
Outer sheath, material	PUR
External sheath, color	black-gray RAL 7021
Conductor material	Bare Cu litz wires
Material wire insulation	PP
Single wire, color	brown, white, blue, black
Thickness, insulation	≥ 0.21 mm

Device connector, rear mounting - SACCBP-FS-4CON-M16/2,0-PUR SCO



1419315

<https://www.phoenixcontact.com/pc/products/1419315>

Thickness, outer sheath	approx. 0.5 mm
Overall twist	4 wires, twisted
Optical shield covering	80 %
Max. conductor resistance	max. 58 Ω/km (at 20 °C)
Insulation resistance	≥ 100 GΩ*km (at 20 °C)
Wave impedance	≥ 62 Ω (f = 10 MHz)
Cable capacity	≤ 80 pF/m (Conductor-Conductor)
	≤ 135 pF/m (Wire/shield)
Nominal voltage, cable	≤ 300 V
Test voltage	≥ 3000 V
Minimum bending radius, fixed installation	5 x D
Minimum bending radius, flexible installation	10 x D
Max. bending cycles	10000000
Halogen-free	in accordance with DIN VDE 0472 part 815
	in accordance with DIN EN 50267-2-1
Flame resistance	in accordance with UL 758/1581 FT2
	DIN EN 60332-2-2 (20 s)
Resistance to oil	in accordance with DIN EN 60811-2-1
Other resistance	Highly resistant to acids, alkaline solutions and solvents
	hydrolysis and microbe resistant
	Resistant to salt water
	partly UV-resistant in accordance with DIN EN ISO 4892-2-A
Special properties	abrasion-resistant
	Flexible cable conduit capable
	Silicone-free
	Free of substances which would hinder coating with paint or varnish
Ambient temperature (operation)	Low adhesion surface
	-40 °C ... 80 °C (cable, fixed installation)
	-25 °C ... 80 °C (Cable, flexible installation)

Ambient conditions

Degree of protection	IP67 (When plugged in)
	IP65 (When plugged in)
Degree of protection	IP65/IP67
Ambient temperature (operation)	-25 °C ... 85 °C (Plug / socket)
	-40 °C ... 85 °C (without mechanical actuation)

Standards and regulations

Standards/specifications	IEC 61076-2-101
--------------------------	-----------------

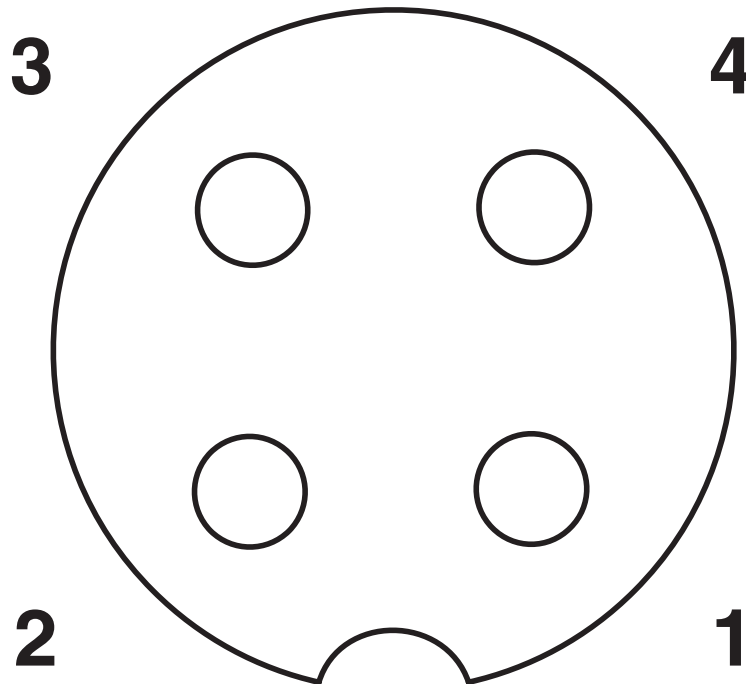
Device connector, rear mounting - SACCBP-FS-4CON-M16/2,0-PUR SCO

1419315

<https://www.phoenixcontact.com/pc/products/1419315>

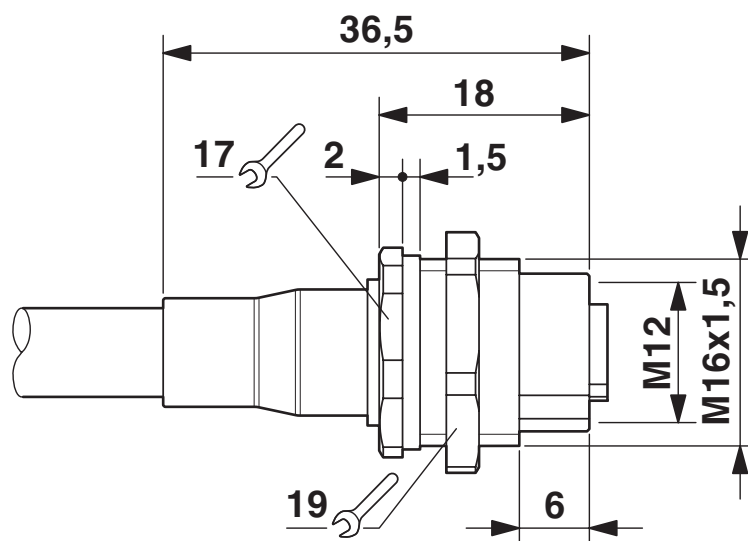
Drawings

Schematic diagram



Pin assignment M12 socket, 4-pos., A-coded, view female side

Dimensional drawing



M12 flush-type connector

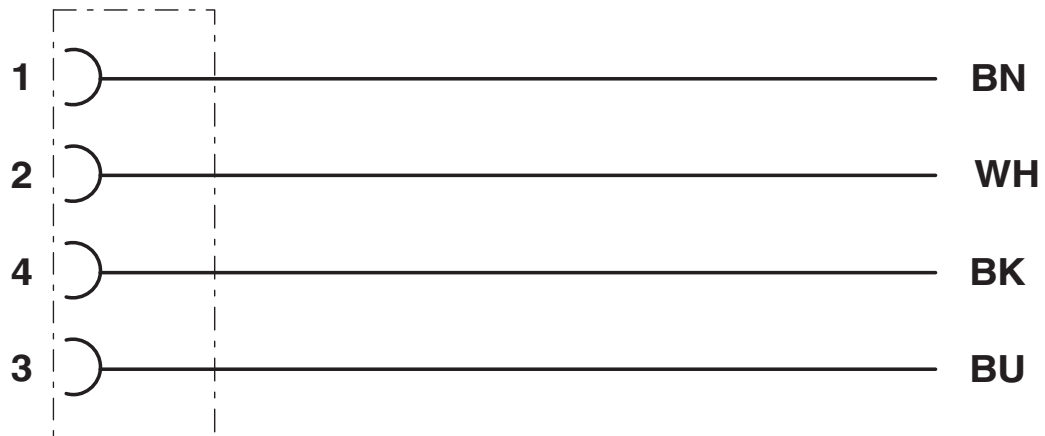
Device connector, rear mounting - SACCBP-FS-4CON-M16/2,0-PUR SCO



1419315

<https://www.phoenixcontact.com/pc/products/1419315>

Circuit diagram

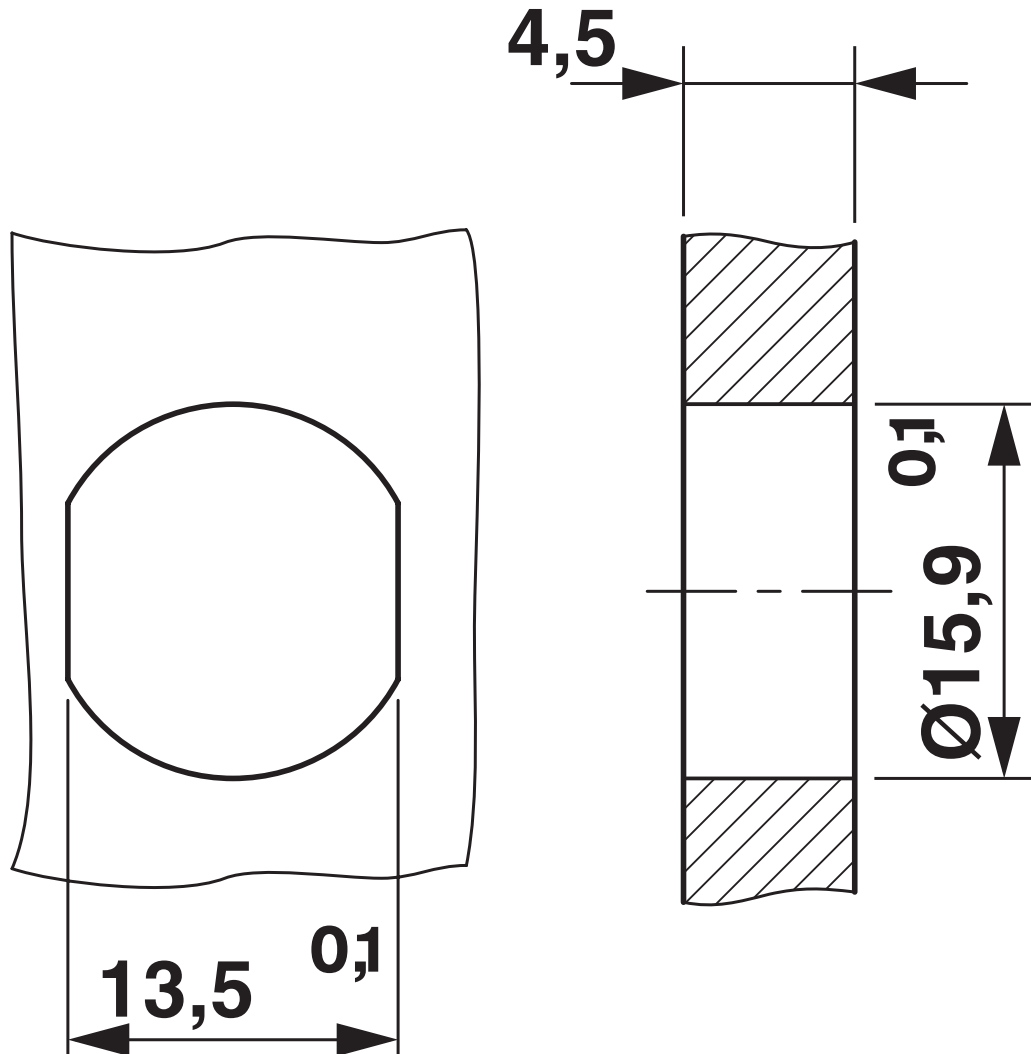


Device connector, rear mounting - SACCBP-FS-4CON-M16/2,0-PUR SCO

1419315

<https://www.phoenixcontact.com/pc/products/1419315>

Dimensional drawing



Housing cutout for M16 fastening thread, mounting panel with feed-through hole (alternatively with surface as protection against rotation)

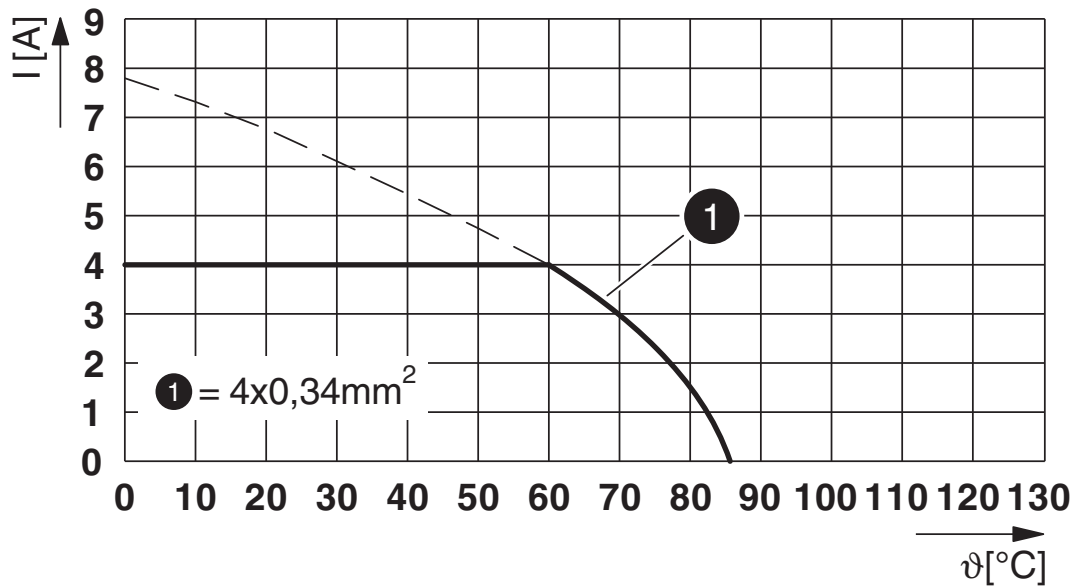
Device connector, rear mounting - SACCBP-FS-4CON-M16/2,0-PUR SCO



1419315

<https://www.phoenixcontact.com/pc/products/1419315>

Diagram



I = current strength, T = ambient temperature

Device connector, rear mounting - SACCBP-FS-4CON-M16/2,0-PUR SCO



1419315

<https://www.phoenixcontact.com/pc/products/1419315>

Approvals



EAC

Approval ID: B.01687



cUL Recognized

Approval ID: E221474-20220908

	Nominal Voltage U_N	Nominal Current I_N	Cross Section AWG	Cross Section mm^2
	250 V	1.5 A	-	-



UL Recognized

Approval ID: E221474-20220908

	Nominal Voltage U_N	Nominal Current I_N	Cross Section AWG	Cross Section mm^2
	250 V	4 A	-	-

cULus Recognized

Device connector, rear mounting - SACCBP-FS-4CON-M16/2,0-PUR SCO



1419315

<https://www.phoenixcontact.com/pc/products/1419315>

Classifications

ECLASS

ECLASS-9.0	27440102
ECLASS-10.0.1	27440102
ECLASS-11.0	27440103

ETIM

ETIM 8.0	EC003570
----------	----------

UNSPSC

UNSPSC 21.0	39121400
-------------	----------

Device connector, rear mounting - SACCBP-FS-4CON-M16/2,0-PUR SCO



1419315

<https://www.phoenixcontact.com/pc/products/1419315>

Environmental Product Compliance

REACH SVHC	Lead 7439-92-1
China RoHS	Environmentally Friendly Use Period = 50 years
	For information on hazardous substances, refer to the manufacturer's declaration available under "Downloads"

Device connector, rear mounting - SACCBP-FS-4CON-M16/2,0-PUR SCO



1419315

<https://www.phoenixcontact.com/pc/products/1419315>

Accessories

Screw plug

Screw plug - SACC-M16-SEALING PLUG SET - 1453368

<https://www.phoenixcontact.com/pc/products/1453368>



Screw plug, Rear mounting, M16 x 1.5 item no.: 1239800

Screw plug

Screw plug - PROT-M12 - 1680539

<https://www.phoenixcontact.com/pc/products/1680539>



An M12 screw plug for the unoccupied M12 sockets of the sensor/actuator cable, boxes and flush-type connectors

Device connector, rear mounting - SACCBP-FS-4CON-M16/2,0-PUR SCO



1419315

<https://www.phoenixcontact.com/pc/products/1419315>

Screw plug

Screw plug - PROT-M12 SH - 1503302

<https://www.phoenixcontact.com/pc/products/1503302>



An M12 screw plug for the unoccupied M12 sockets of the shielded sensor/actuator cable, boxes and flush-type connectors

Screw plug

Screw plug - PROT-M12 FB - 1555538

<https://www.phoenixcontact.com/pc/products/1555538>



M12 high-grade steel screw plug, for unoccupied M12 sockets of the sensor/actuator cables, boxes and flush-type connectors for the food industry

Device connector, rear mounting - SACCBP-FS-4CON-M16/2,0-PUR SCO



1419315

<https://www.phoenixcontact.com/pc/products/1419315>

Flat gasket

Flat gasket - SACC-M16-SEAL CLM - 1430394

<https://www.phoenixcontact.com/pc/products/1430394>

M16 flat gasket for M12 flush-type connectors with M16 fastening thread



Phoenix Contact 2023 © - all rights reserved
<https://www.phoenixcontact.com>

PHOENIX CONTACT GmbH & Co. KG
Flachmarktstraße 8
D-32825 Blomberg
+49 (0) 5235-3 00
info@phoenixcontact.com