

# Crimp contact - CC0,6-TS-0,34M AU



1423643

<https://www.phoenixcontact.com/za/products/1423643>

Please be informed that the data shown in this PDF document is generated from our Online Catalog. Please find the complete data in the user documentation. Our General Terms of Use for Downloads are valid.

---



Crimp contact, contact diameter: 0.6 mm, turned, Pin, contact material: CuZn, contact surface: Ni/Au, connection cross section: 0.14 mm<sup>2</sup> ... 0.34 mm<sup>2</sup>, AWG 26 ... 22

---

# Crimp contact - CC0,6-TS-0,34M AU



1423643

<https://www.phoenixcontact.com/za/products/1423643>

## Commercial Data

Item number	1423643
Packing unit	100 pc
Minimum order quantity	1 pc
Sales Key	BF2
Product Key	BF2CJJ
Catalog Page	Page 27 (C-2-2019)
GTIN	4055626368108
Weight per Piece (including packing)	0,076 g
Weight per Piece (excluding packing)	0,074 g
Customs tariff number	74152900
Country of origin	DE

# Crimp contact - CC0,6-TS-0,34M AU



1423643

<https://www.phoenixcontact.com/za/products/1423643>

## Technical Data

### Product properties

Product type	Crimp contact
Type	Individual male contact
Contact type	turned

### Mounting

Mounting type	Snap in
---------------	---------

### Material specifications

Contact material	CuZn
Contact surface material	Ni/Au

### Dimensions

#### Mechanical characteristics

Contact diameter	0.6 mm
------------------	--------

### Environmental and real-life conditions

#### Ambient conditions

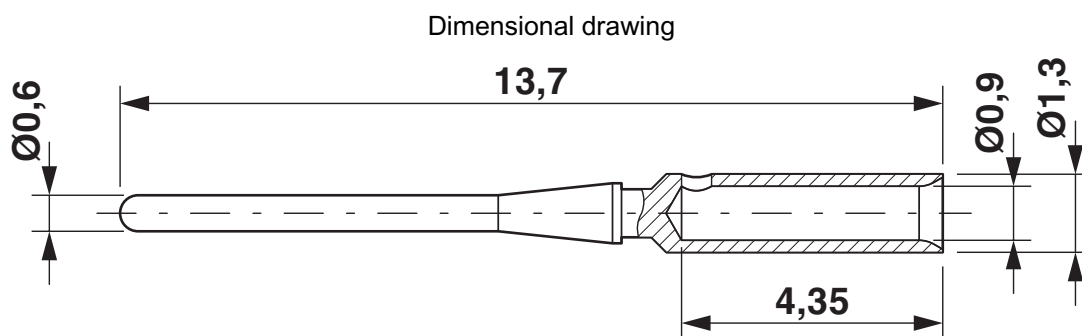
Ambient temperature (operation)	-40 °C ... 85 °C
---------------------------------	------------------

# Crimp contact - CC0,6-TS-0,34M AU

1423643

<https://www.phoenixcontact.com/za/products/1423643>

## Drawings



Crimp contact, diameter: 0.6 mm

# Crimp contact - CC0,6-TS-0,34M AU



1423643

<https://www.phoenixcontact.com/za/products/1423643>

## Classifications

### ECLASS

ECLASS-9.0	27440204
ECLASS-10.0.1	27440204
ECLASS-11.0	27440204

### ETIM

ETIM 8.0	EC000796
----------	----------

### UNSPSC

UNSPSC 21.0	39121500
-------------	----------

# Crimp contact - CC0,6-TS-0,34M AU



1423643

<https://www.phoenixcontact.com/za/products/1423643>

## Environmental Product Compliance

REACH SVHC	Lead 7439-92-1
China RoHS	Environmentally friendly use period: unlimited = EFUP-e
	No hazardous substances above threshold values

# Crimp contact - CC0,6-TS-0,34M AU

1423643

<https://www.phoenixcontact.com/za/products/1423643>



## Accessories

### Data connector

Data connector - SACC-M12MSX-8CT-CL SH - 1422844

<https://www.phoenixcontact.com/za/products/1422844>



Data connector, Ethernet CAT6<sub>A</sub> (10 Gbps), PROFINET CAT6<sub>A</sub> (10 Gbps), 8-position, shielded, Plug straight M12, Coding: X, Crimp connection, knurl material: Zinc die-cast, tin-plated, external cable diameter 6.5 mm ... 10 mm, without crimp contacts

---

### Data connector

Data connector - SACC-M12MRX-8CT-CL SH - 1422845

<https://www.phoenixcontact.com/za/products/1422845>



Data connector, Ethernet CAT6<sub>A</sub> (10 Gbps), PROFINET CAT6<sub>A</sub> (10 Gbps), 8-position, shielded, Plug angled M12, Coding: X, Crimp connection, knurl material: Zinc die-cast, tin-plated, external cable diameter 6.5 mm ... 10 mm, without crimp contacts

# Crimp contact - CC0,6-TS-0,34M AU

1423643

<https://www.phoenixcontact.com/za/products/1423643>

## Data connector

Data connector - SACC-PO12MSX-8CT-CL SH - 1021783

<https://www.phoenixcontact.com/za/products/1021783>



Data connector, Ethernet CAT6<sub>A</sub> (10 Gbps), PROFINET CAT6<sub>A</sub> (10 Gbps), 8-position, shielded, Plug straight M12 Push-Pull, Coding: X, Crimp connection, knurl material: PA 6.6, external cable diameter 6.5 mm ... 10 mm, without crimp contacts

---

## Data connector

Data connector - SACC-PO12MRX-8CT-CL SH - 1021784

<https://www.phoenixcontact.com/za/products/1021784>



Data connector, Ethernet CAT6<sub>A</sub> (10 Gbps), PROFINET CAT6<sub>A</sub> (10 Gbps), 8-position, shielded, Plug angled M12 Push-Pull, Coding: X, Crimp connection, knurl material: PA 6.6, external cable diameter 6.5 mm ... 10 mm, without crimp contacts

# Crimp contact - CC0,6-TS-0,34M AU

1423643

<https://www.phoenixcontact.com/za/products/1423643>



## Crimping pliers with digital display

Crimping pliers with digital display - CRIMPFOX-TC MP - 1212510

<https://www.phoenixcontact.com/za/products/1212510>



Crimping pliers, for turned contacts, universal cross section setting, up to a maximum of 2.5 mm<sup>2</sup>, digital display with 0.01 mm increments, pressure lock can be unlocked, including positioning tool

---

Phoenix Contact 2022 © - all rights reserved

<https://www.phoenixcontact.com>

PHOENIX CONTACT (Pty) Ltd.

36 Lyn Road P.O. Box 916 ZA-Ferndale 2160

+27/11/801-8200

[info@phoenixcontact.co.za](mailto:info@phoenixcontact.co.za)