

# Cable gland - G-INS-M16-T68N-PNES-BK



1424480

<https://www.phoenixcontact.com/pc/products/1424480>

Please be informed that the data shown in this PDF document is generated from our Online Catalog. Please find the complete data in the user documentation. Our General Terms of Use for Downloads are valid.



Cable gland, material for screw connection: PA, external cable diameter 4 mm ... 8 mm, shielding: no, connecting thread: M16 x 1.5, color: jet black RAL 9005

## Your advantages

- Plastic material conforms to UL 746C f1

## Commercial Data

Item number	1424480
Packing unit	10 pc
Minimum order quantity	1 pc
Product Key	BF7DCX
Catalog Page	Page 686 (C-2-2019)
GTIN	4055626373102
Weight per Piece (including packing)	6.44 g
Weight per Piece (excluding packing)	5.8 g
Customs tariff number	39269097
Country of origin	TR

# Cable gland - G-INS-M16-T68N-PNES-BK



1424480

<https://www.phoenixcontact.com/pc/products/1424480>

## Technical Data

### Mounting

Assembly instructions	1) Mount screw connection support in the housing using the correct torque 2) Insert cable 3) Tighten union nut using the correct torque
-----------------------	---

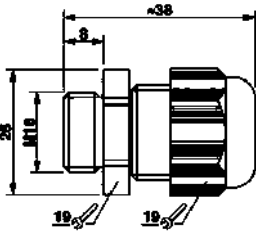
### Product properties

Product type	Full screw connection
No. of conductors	1
Manufacturer	BIMED
Manufacturer Designation	BM-EN-21
Shielded	no
Execution of the strain relief	A

### Characteristics

Category of shock impact	2
Design, Strain relief	A
Tightening torque	2.5 Nm $\pm$ 0.5 Nm (Cap nut) 2.5 Nm (Support sleeve)

### Dimensions

Dimensional drawing	
Length	39 mm
Length of the connecting thread	8 mm
Hole diameter	16.1 mm ... 16.2 mm
Wrench size, union nut	19 mm
Wrench size, support	19 mm
Hexagon angular dimension	25 mm
Thread type connection side	M16 x 1.5
Thread pitch	1.5 mm

### Material specifications

Color	jet black RAL 9005
Flammability rating according to UL 94	V2
Sealing material	CR
Material for screw connection	PA

# Cable gland - G-INS-M16-T68N-PNES-BK



1424480

<https://www.phoenixcontact.com/pc/products/1424480>

## Cable / line

External cable diameter	4 mm ... 8 mm
	4 mm ... 8 mm (for UL 514 B)

## Environmental and real-life conditions

### Ambient conditions

Degree of protection	IP68 (5 bar / 0.5 h)
	IP66
Ambient temperature (operation)	-40 °C ... 100 °C (static)

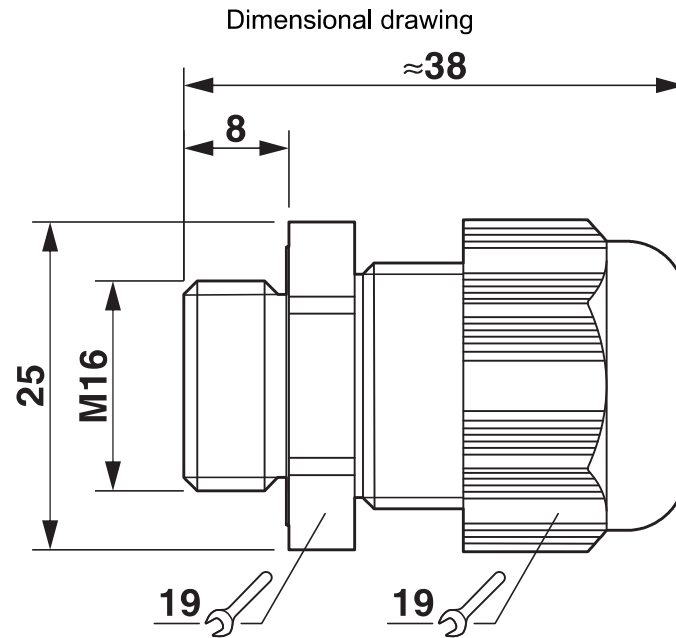
# Cable gland - G-INS-M16-T68N-PNES-BK

1424480

<https://www.phoenixcontact.com/pc/products/1424480>



## Drawings



Dimensional drawing

# Cable gland - G-INS-M16-T68N-PNES-BK



1424480

<https://www.phoenixcontact.com/pc/products/1424480>

## Approvals

**DNV**

Approval ID: TAE00003WX



**CSA**

Approval ID: 115116

	Nominal Voltage $U_N$	Nominal Current $I_N$	Cross Section AWG	Cross Section $\text{mm}^2$
External reference			-	-



**UL Recognized**

Approval ID: E199260

# Cable gland - G-INS-M16-T68N-PNES-BK



1424480

<https://www.phoenixcontact.com/pc/products/1424480>

## Classifications

### ECLASS

ECLASS-9.0	27144432
ECLASS-10.0.1	27144432
ECLASS-11.0	27144432

### ETIM

ETIM 8.0	EC000441
----------	----------

### UNSPSC

UNSPSC 21.0	39121300
-------------	----------

# Cable gland - G-INS-M16-T68N-PNES-BK



1424480

<https://www.phoenixcontact.com/pc/products/1424480>

## Environmental Product Compliance

China RoHS	Environmentally friendly use period: unlimited = EFUP-e
	No hazardous substances above threshold values