

Cable gland - G-INS-M25-S68N-NNES-S



1424527

<https://www.phoenixcontact.com/pc/products/1424527>

Please be informed that the data shown in this PDF document is generated from our Online Catalog. Please find the complete data in the user documentation. Our General Terms of Use for Downloads are valid.



Cable gland, material for screw connection: Nickel-plated brass, external cable diameter 10 mm .
.. 14 mm, shielding: no, connecting thread: M25 x 1.5, color: silver, with O-ring

Commercial Data

Item number	1424527
Packing unit	5 pc
Minimum order quantity	5 pc
Product Key	BF7DAX
Catalog Page	Page 688 (C-2-2019)
GTIN	4055626374321
Weight per Piece (including packing)	47.26 g
Weight per Piece (excluding packing)	47.26 g
Customs tariff number	74198090
Country of origin	TR

Cable gland - G-INS-M25-S68N-NNES-S



1424527

<https://www.phoenixcontact.com/pc/products/1424527>

Technical Data

Mounting

Assembly instructions	1) Mount screw connection support in the housing using the correct torque 2) Insert cable 3) Tighten union nut using the correct torque
-----------------------	---

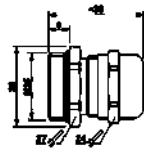
Product properties

Product type	Full screw connection
No. of conductors	1
Manufacturer	BIMED
Manufacturer Designation	BMBC-03
Shielded	no
Execution of the strain relief	A

Characteristics

Category of shock impact	6
Design, Strain relief	A
Tightening torque	11 Nm \pm 1 Nm (Cap nut) 6 Nm (Support sleeve)

Dimensions

Dimensional drawing	
Length	36 mm
Length of the connecting thread	8 mm
Hole diameter	25.1 mm ... 25.3 mm
Wrench size, union nut	24 mm
Wrench size, support	27 mm
Hexagon angular dimension	30 mm
Thread type connection side	M25 x 1.5
Thread pitch	1.5 mm

Material specifications

Color	silver
Sealing material	Perbunan (O-ring) CR
Material, insert	Polyamide 6
Material for screw connection	Nickel-plated brass

Cable / line

Cable gland - G-INS-M25-S68N-NNES-S



1424527

<https://www.phoenixcontact.com/pc/products/1424527>

External cable diameter	10 mm ... 14 mm
	10 mm ... 14 mm (for UL 514 B)

Environmental and real-life conditions

Ambient conditions

Degree of protection	IP69
	IP68 (5 bar, 30 min.)
	IP66
Ambient temperature (operation)	-40 °C ... 100 °C (static)

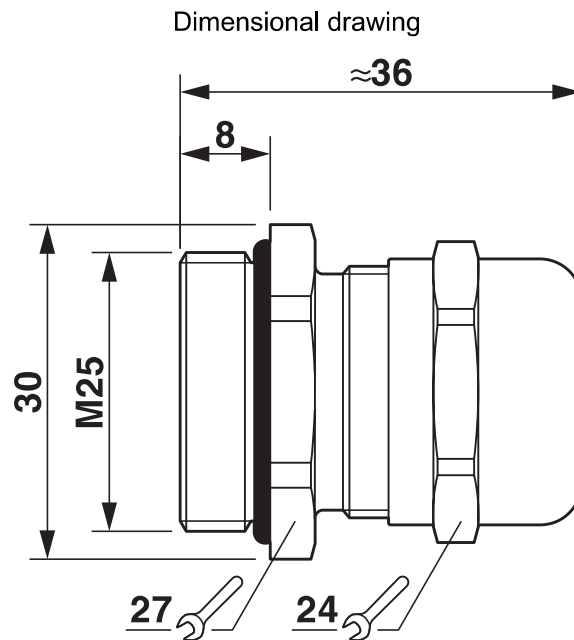
Cable gland - G-INS-M25-S68N-NNES-S

1424527

<https://www.phoenixcontact.com/pc/products/1424527>



Drawings



Dimensional drawing

Cable gland - G-INS-M25-S68N-NNES-S



1424527

<https://www.phoenixcontact.com/pc/products/1424527>

Approvals

DNV

Approval ID: TAE00003VWY



UL Listed

Approval ID: E199260



cUL Listed

Approval ID: E199260

cULus Listed

Cable gland - G-INS-M25-S68N-NNES-S



1424527

<https://www.phoenixcontact.com/pc/products/1424527>

Classifications

ECLASS

ECLASS-9.0	27144432
ECLASS-10.0.1	27144432
ECLASS-11.0	27144432

ETIM

ETIM 8.0	EC000441
----------	----------

UNSPSC

UNSPSC 21.0	39121300
-------------	----------

Cable gland - G-INS-M25-S68N-NNES-S



1424527

<https://www.phoenixcontact.com/pc/products/1424527>

Environmental Product Compliance

REACH SVHC	Lead 7439-92-1
China RoHS	Environmentally Friendly Use Period = 50 years
	For information on hazardous substances, refer to the manufacturer's declaration available under "Downloads"