

# Device connector, rear mounting - SACCBP-MSB-2CON-PG9/2,0-910SCO



1437504

<https://www.phoenixcontact.com/pc/products/1437504>

Please be informed that the data shown in this PDF document is generated from our Online Catalog. Please find the complete data in the user documentation. Our General Terms of Use for Downloads are valid.



Device connector, rear mounting, PROFIBUS, 2-position, PUR halogen-free, red lilac RAL 4001, shielded, Plug, straight, M12-SPEEDCON, B-coded, on free cable end, Cable connection, cable length: 2 m, PROFIBUS item no.: 1239656

## Your advantages

- Pre-assembled with cables in various standard lengths for immediate use
- Customer-specific assemblies and cable lengths can be supplied
- Sealed on the cable side for optimum tightness of seal
- Cable designs for all common networks and fieldbuses
- For high transmission safety: shield connection to the housing with optional EMC nut

## Commercial Data

|                                      |                     |
|--------------------------------------|---------------------|
| Item number                          | 1437504             |
| Packing unit                         | 1 pc                |
| Minimum order quantity               | 1 pc                |
| Product Key                          | ABQCEC              |
| Catalog Page                         | Page 426 (C-2-2019) |
| GTIN                                 | 4046356457637       |
| Weight per Piece (including packing) | 140 g               |
| Weight per Piece (excluding packing) | 140 g               |
| Customs tariff number                | 85444290            |
| Country of origin                    | DE                  |

# Device connector, rear mounting - SACCBP-MSB-2CON-PG9/2,0-910SCO



1437504

<https://www.phoenixcontact.com/pc/products/1437504>

## Technical Data

### Notes

#### Notes on operation

The electrical and mechanical data specified assume that the connector pair is correctly locked and mounted. If the connector is unlocked and if there is a danger of contamination, the connector must be sealed using a protective cap > IP54. Influences arising from litz wires, cables or PCB assembly must also be taken into consideration.

### Safety note

#### Safety note

**WARNING:** The connectors may not be plugged in or disconnected under load. Ignoring the warning or improper use may damage persons and/or property.

- **WARNING:** Commission properly functioning products only. The products must be regularly inspected for damage. Decommission defective products immediately. Replace damaged products. Repairs are not possible.

- **WARNING:** Only electrically qualified personnel may install and operate the product. They must observe the following safety notes. The qualified personnel must be familiar with the basics of electrical engineering. They must be able to recognize and prevent danger. The relevant symbol on the packaging indicates that only personnel familiar with electrical engineering are allowed to install and operate the product.

- The products are suitable for applications in plant, controller, and electrical device engineering.

- When operating the connectors in outdoor applications, they must be separately protected against environmental influences.

- Assembled products may not be manipulated or improperly opened.

- Only use mating connectors that are specified in the technical data of the standards listed (e.g. the ones listed in the product accessories online at [phoenixcontact.com/products](https://www.phoenixcontact.com/products)).

- When using the product in direct connection with third-party manufacturers, the user is responsible.

- For operating voltages > 50 V AC, conductive connector housings must be grounded

- Ensure that when laying the cable, the tensile load on the connectors does not exceed the upper limit specified in the standards.

- Observe the corresponding technical data. You will find information:

- o On the product
- o On the packing label
- o In the supplied documentation
- o Online at [phoenixcontact.com/products](https://www.phoenixcontact.com/products) under the product

- Only use tools recommended by Phoenix Contact

- Use a protective cap to protect connectors that are not in use. The suitable accessories are available online in the accessory section of the product at [phoenixcontact.com/products](https://www.phoenixcontact.com/products)

# Device connector, rear mounting - SACCBP-MSB-2CON-PG9/2,0-910SCO



1437504

<https://www.phoenixcontact.com/pc/products/1437504>

|  |  |
|--|--|
|  | <ul style="list-style-type: none"><li>• Ensure that the protective or functional ground has been properly connected.</li></ul>   |
|  | <ul style="list-style-type: none"><li>• VDE 0100/1.97 § 411.1.3.2 and DIN EN 60 204/11.98 § 14.1.3 are applicable when combining several circuits in a cable and/or connector</li></ul>  |
|  | <ul style="list-style-type: none"><li>• The connector warms up in normal operation. Depending on the ambient conditions, the surface of the connector can continue to warm up. In this case, the user is responsible for posting warnings (e.g. DIN EN ISO 13732-1:2008-12).</li></ul> |

## Mounting

|               |               |
|---------------|---------------|
| Mounting type | Rear mounting |
|---------------|---------------|

## Product properties

|                      |                                   |
|----------------------|-----------------------------------|
| Product type         | Circular connectors (device side) |
| Number of positions  | 2                                 |
| No. of cable outlets | 1                                 |
| Shielded             | yes                               |
| Coding               | B - inverse                       |

## Insulation characteristics

|                      |    |
|----------------------|----|
| Overvoltage category | II |
| Degree of pollution  | 3  |

## Material specifications

|  |                     |
|--|---------------------|
| Flammability rating according to UL 94 | V0                  |
| Sealing material                       | FKM                 |
| Contact material                       | CuZn                |
| Contact surface material               | Ni/Au               |
| Contact carrier material               | PA 6.6              |
| Material for screw connection          | Nickel-plated brass |

## Electrical properties

|                       |  |
|-----------------------|--|
| Rated surge voltage   | 1.5 kV   |
| Contact resistance    | ≤ 3 mΩ   |
| Insulation resistance | ≥ 100 MΩ   |
| Nominal voltage $U_N$ | 48 V AC<br>60 V DC   |
| Nominal current $I_N$ | 4 A (Plug/socket in accordance with IEC 61076-2-101, cable technical data is to be observed) |
| Transmission medium   | Copper   |

## Connection data

|                      |                  |
|----------------------|------------------|
| Conductor connection |                  |
| Connection method    | Cable connection |

# Device connector, rear mounting - SACCBP-MSB-2CON-PG9/2,0-910SCO



1437504

<https://www.phoenixcontact.com/pc/products/1437504>

|                   |                |
|-------------------|----------------|
| Type of contact   | Crimp contacts |
| Tightening torque | 2 Nm           |
|                   | 3 Nm           |

## Connector

### Connection 1

|                   |          |
|-------------------|----------|
| Head design       | Plug     |
| Head cable outlet | straight |
| Head thread type  | M12      |
| Head locking type | SPEEDCON |
| Coding            | B-coded  |


### Connection 2

|             |                |
|-------------|----------------|
| Head design | free cable end |
|-------------|----------------|

## Cable / line

|              |     |
|--------------|-----|
| Cable length | 2 m |
|--------------|-----|

### PROFIBUS [910]

|                                 |  |
|---------------------------------|--|
| Dimensional drawing             |  |
| Cable weight                    | 90 kg/km   |
| UL AWM Style                    | 21198 (80°C/300 V)   |
| Number of positions             | 2  |
| Shielded                        | yes  |
| Cable type                      | PROFIBUS [910]   |
| Conductor structure             | 1x2xAWG24/19   |
| Conductor structure signal line | 19x 0.13 mm  |
| AWG signal line                 | 24   |
| Conductor cross section         | 2x 0.25 mm <sup>2</sup> (Signal line)  |
| Wire diameter incl. insulation  | 2.55 mm ±0.07 mm   |
| External cable diameter         | 7.8 mm ±0.2 mm   |
| Outer sheath, material          | PUR  |
| External sheath, color          | red lilac RAL 4001   |
| Conductor material              | Tin-plated Cu litz wires   |
| Material wire insulation        | Foam-Skin PP   |
| Single wire, color              | Red, green   |

# Device connector, rear mounting - SACCBP-MSB-2CON-PG9/2,0-910SCO



1437504

<https://www.phoenixcontact.com/pc/products/1437504>

|   |   |
|---|---|
| Overall twist                                 | 2 cores with 2 fillers to the core  |
| Optical shield covering                       | 85 %  |
| Max. conductor resistance                     | ≤ 78.6 Ω/km   |
| Insulation resistance                         | ≥ 5 GΩ*km   |
| Wave impedance                                | 150 Ω ±10 % (3 MHz ... 20 MHz)  |
| Cable capacity                                | nom. 30 pF/m  |
| Nominal voltage, cable                        | 300 V   |
| Test voltage Core/Core                        | 1500 V (50 Hz, 1 min.)  |
| Test voltage Core/Shield                      | 1500 V (50 Hz, 1 min.)  |
| Smallest bending radius, fixed installation   | 40 mm   |
| Smallest bending radius, movable installation | 65 mm   |
| Max. bending cycles                           | 4000000<br>5000000  |
| Shield attenuation                            | ≤ 0.049 dB/m (at 16 MHz)  |
| Halogen-free                                  | in accordance with DIN VDE 0472 part 815<br>according to IEC 60754-1  |
| Flame resistance                              | UL 1581, Section 1060 and UL 2556, Section 9.3 (FT1)<br>UL 1581, Section 1100 and UL 2556, Section 9.1 (HFT/FT2)<br>IEC 60332-1-2   |
| Other resistance                              | Low adhesion  |
| Ambient temperature (operation)               | -40 °C ... 80 °C (cable, fixed installation)<br>-30 °C ... 70 °C (Cable, flexible installation)<br>-20 °C ... 60 °C (for installation)<br>-20 °C ... 60 °C (cable, drag chain applications) |

## Ambient conditions

|                                 |   |
|---------------------------------|---|
| Degree of protection            | IP67 (When plugged in)<br>IP65 (When plugged in)                                    |
| Degree of protection            | IP65/IP67   |
| Ambient temperature (operation) | -25 °C ... 85 °C (Plug / socket)<br>-40 °C ... 85 °C (without mechanical actuation) |

## Standards and regulations

M12

|                          |                 |
|--------------------------|-----------------|
| Standards/specifications | IEC 61076-2-101 |
|--------------------------|-----------------|

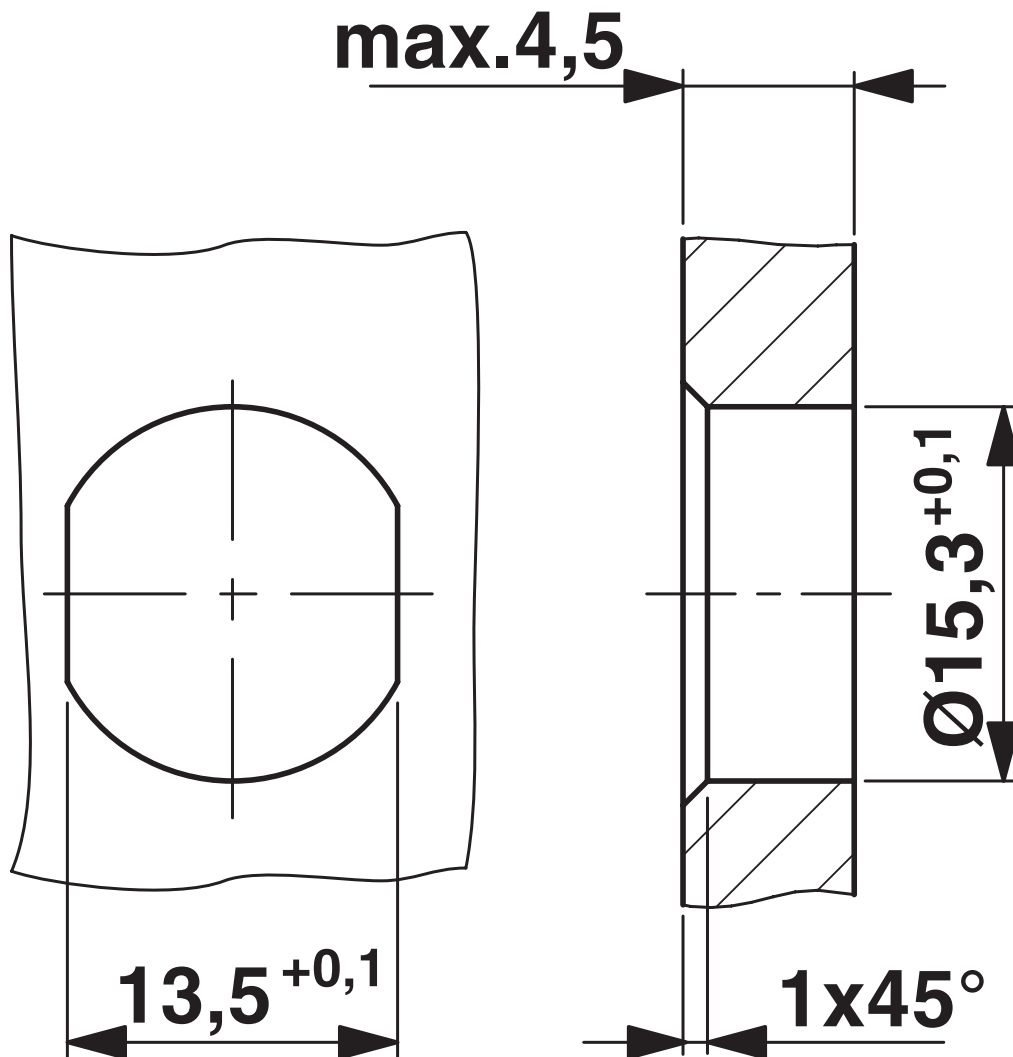
Device connector, rear mounting - SACCBP-MSB-  
2CON-PG9/2,0-910SCO

1437504

<https://www.phoenixcontact.com/pc/products/1437504>

Drawings

Dimensional drawing



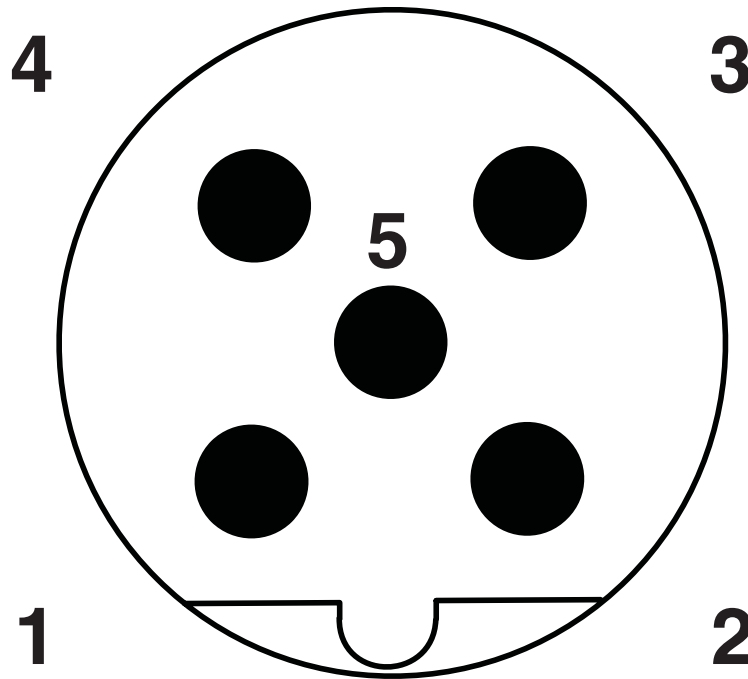
Housing cutout for Pg9 fastening thread, mounting panel with feed-through hole (alternatively with surface as protection against rotation)

# Device connector, rear mounting - SACCBP-MSB-2CON-PG9/2,0-910SCO

1437504

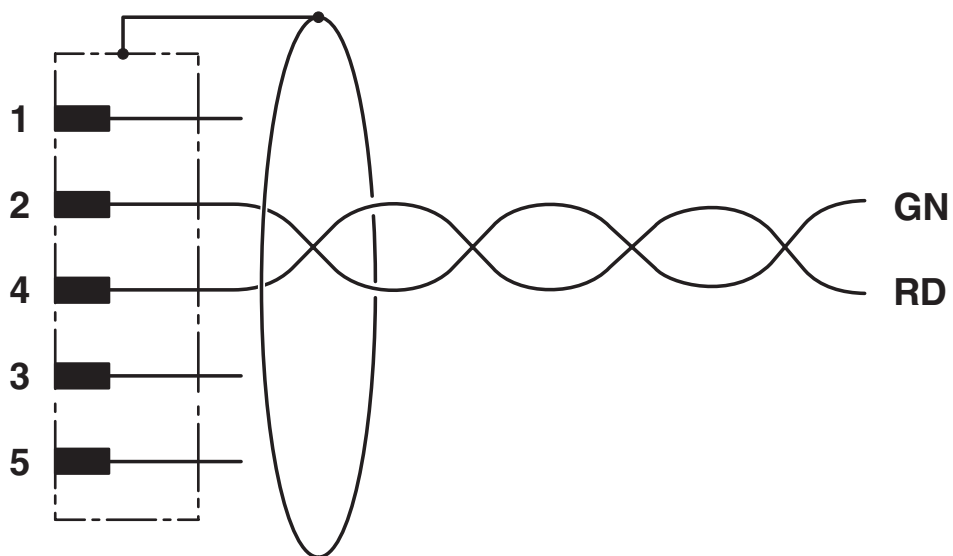
<https://www.phoenixcontact.com/pc/products/1437504>

Schematic diagram



Pin assignment M12 male connector, 5-pos., B-coded, male side

Circuit diagram

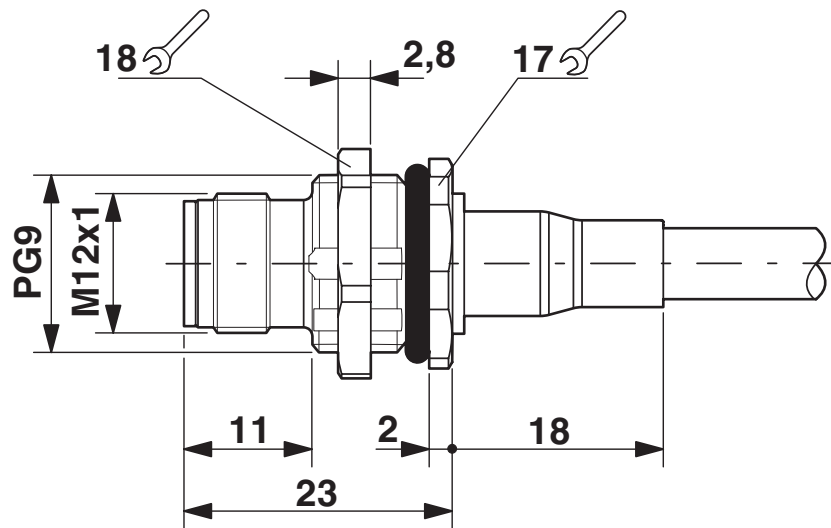


# Device connector, rear mounting - SACCBP-MSB-2CON-PG9/2,0-910SCO

1437504

<https://www.phoenixcontact.com/pc/products/1437504>

Dimensional drawing



M12 panel feed-through

# Device connector, rear mounting - SACCBP-MSB-2CON-PG9/2,0-910SCO



1437504

<https://www.phoenixcontact.com/pc/products/1437504>

## Approvals



**EAC**

Approval ID: B.01687



**UL Recognized**

Approval ID: FILE E 118976

|  | Nominal Voltage $U_N$ | Nominal Current $I_N$ | Cross Section AWG | Cross Section $\text{mm}^2$ |
|--|-----------------------|-----------------------|-------------------|-----------------------------|
|  | 30 V                  | 2 A                   | - 24              | -                           |



**cUL Recognized**

Approval ID: E221474-20220908

|  | Nominal Voltage $U_N$ | Nominal Current $I_N$ | Cross Section AWG | Cross Section $\text{mm}^2$ |
|--|-----------------------|-----------------------|-------------------|-----------------------------|
|  | 60 V                  | 1.5 A                 | -                 | -                           |



**UL Recognized**

Approval ID: E221474-20220908

|  | Nominal Voltage $U_N$ | Nominal Current $I_N$ | Cross Section AWG | Cross Section $\text{mm}^2$ |
|--|-----------------------|-----------------------|-------------------|-----------------------------|
|  | 60 V                  | 2 A                   | -                 | -                           |

# Device connector, rear mounting - SACCBP-MSB-2CON-PG9/2,0-910SCO



1437504

<https://www.phoenixcontact.com/pc/products/1437504>

## Classifications

### ECLASS

|               |          |
|---------------|----------|
| ECLASS-9.0    | 27440102 |
| ECLASS-10.0.1 | 27440102 |
| ECLASS-11.0   | 27440102 |

### ETIM

|          |          |
|----------|----------|
| ETIM 8.0 | EC002635 |
|----------|----------|

### UNSPSC

|             |          |
|-------------|----------|
| UNSPSC 21.0 | 39121400 |
|-------------|----------|

# Device connector, rear mounting - SACCBP-MSB-2CON-PG9/2,0-910SCO



1437504

<https://www.phoenixcontact.com/pc/products/1437504>

## Environmental Product Compliance

|            |  |
|------------|--|
| REACH SVHC | Lead 7439-92-1   |
| China RoHS | Environmentally Friendly Use Period = 50 years   |
|            | For information on hazardous substances, refer to the manufacturer's declaration available under "Downloads" |

Phoenix Contact 2023 © - all rights reserved  
<https://www.phoenixcontact.com>

PHOENIX CONTACT GmbH & Co. KG  
Flachmarktstraße 8  
D-32825 Blomberg  
+49 (0) 5235-3 00  
[info@phoenixcontact.com](mailto:info@phoenixcontact.com)