

Panel feed-through - SACC-E-M12FS-8CON-M20/0,5 VA



1452110

<https://www.phoenixcontact.com/pc/products/1452110>

Please be informed that the data shown in this PDF document is generated from our Online Catalog. Please find the complete data in the user documentation. Our General Terms of Use for Downloads are valid.



Sensor/actuator flush-type socket, 8-pos., M12, A-coded, front/screw mounting with M20 x 1.5 thread, with 0.5 m TPE litz wire, 8x 0.25 mm², high-grade steel version

Your advantages

- Pre-assembled with litz wires for immediate use
- Customer-specific assemblies and litz wire lengths available
- Sealed on the litz wire side for optimum leak-tightness
- All standard pin assignments and codings for signal, data, and power transmission with a uniform design-in design
- For high transmission safety: shield connection to the housing with optional EMC nut

Panel feed-through - SACC-E-M12FS-8CON-M20/0,5 VA



1452110

<https://www.phoenixcontact.com/pc/products/1452110>

Commercial Data

Item number	1452110
Packing unit	1 pc
Minimum order quantity	1 pc
Note	Made to Order (non-returnable)
Product Key	ABQCFB
Catalog Page	Page 269 (C-2-2013)
GTIN	4046356529198
Weight per Piece (including packing)	38.8 g
Weight per Piece (excluding packing)	38.8 g
Customs tariff number	85444290
Country of origin	DE

Panel feed-through - SACC-E-M12FS-8CON-M20/0,5 VA



1452110

<https://www.phoenixcontact.com/pc/products/1452110>

Technical Data

Notes

Notes on operation	The electrical and mechanical data specified assume that the connector pair is correctly locked and mounted. If the connector is unlocked and if there is a danger of contamination, the connector must be sealed using a protective cap > IP54. Influences arising from litz wires, cables or PCB assembly must also be taken into consideration.
--------------------	--

Product properties

Product type	Circular connectors (device side)
Number of positions	8
No. of cable outlets	1
Shielded	no
Coding	A - standard

Insulation characteristics

Overvoltage category	II
Degree of pollution	3

Ambient conditions

Degree of protection	IP65/IP67/IP69/IP69K
Degree of protection	IP65/IP67/IP69K
Ambient temperature (operation)	-25 °C ... 85 °C (Plug / socket)
	-40 °C ... 85 °C (without mechanical actuation)
	-25 °C ... 85 °C (Cable, flexible installation)
	-40 °C ... 85 °C (cable, fixed installation)

Connector

Insertion/withdrawal cycles	> 100
-----------------------------	-------

Header 1

Head thread type	M12
------------------	-----

Electrical properties

Rated surge voltage	0.8 kV
Contact resistance	≤ 3 mΩ
Insulation resistance	≥ 100 MΩ
Nominal voltage U_N	30 V
Nominal current I_N	2 A

Material specifications

Flammability rating according to UL 94	V0
Sealing material	NBR
Contact material	CuZn

Panel feed-through - SACC-E-M12FS-8CON-M20/0,5 VA



1452110

<https://www.phoenixcontact.com/pc/products/1452110>

Contact surface material	Au
Contact carrier material	PA 6.6
Cable gland material	Stainless steel

Connection data

Conductor connection

Connection method	Individual wires
-------------------	------------------

Mounting

Mounting type	Front mounting M20 x 1,5
---------------	--------------------------

Standards and regulations

Standards/specifications	IEC 61076-2-101
--------------------------	-----------------

Cable / line

Cable length	0.5 m
--------------	-------

Cable structure

Cable type	TPE litz wire
Conductor material	Tin-plated Cu litz wires
Conductor structure signal line	14x 0.15 mm
AWG signal line	24
Material wire insulation	TPE
Thickness, insulation	0.21 mm
Wire diameter incl. insulation	1.15 mm ±0.07 mm
Single wire, color	Brown, blue, white, gray, pink, green, yellow, red

Electrical properties

Nominal voltage, cable	300 V
Test voltage, cable	2000 V AC
Conductor resistance	≤ 80 mΩ/m
Cable insulation resistance	≥ 20 MΩ*km

Ambient conditions

Ambient temperature (operation)	-25 °C ... 85 °C (Cable, flexible installation)
	-40 °C ... 85 °C (cable, fixed installation)

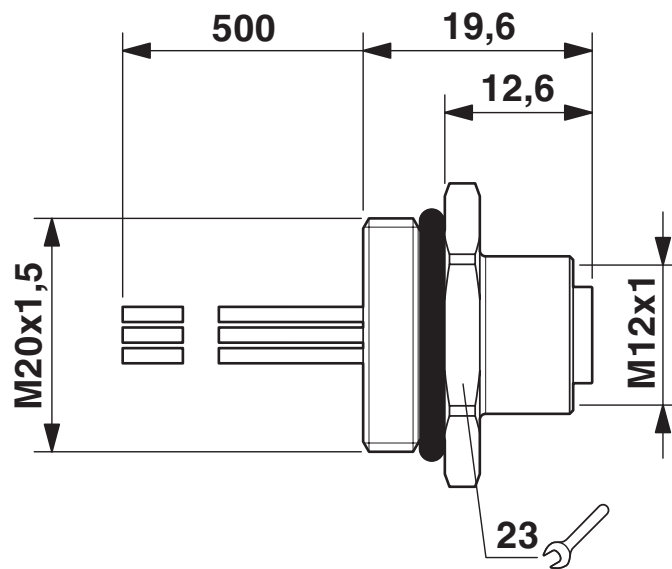
Panel feed-through - SACC-E-M12FS-8CON-M20/0,5 VA

1452110

<https://www.phoenixcontact.com/pc/products/1452110>

Drawings

Dimensional drawing



M12 flush-type socket

Schematic diagram



Pin assignment M12 socket, 8-pos., A-coded, view female side

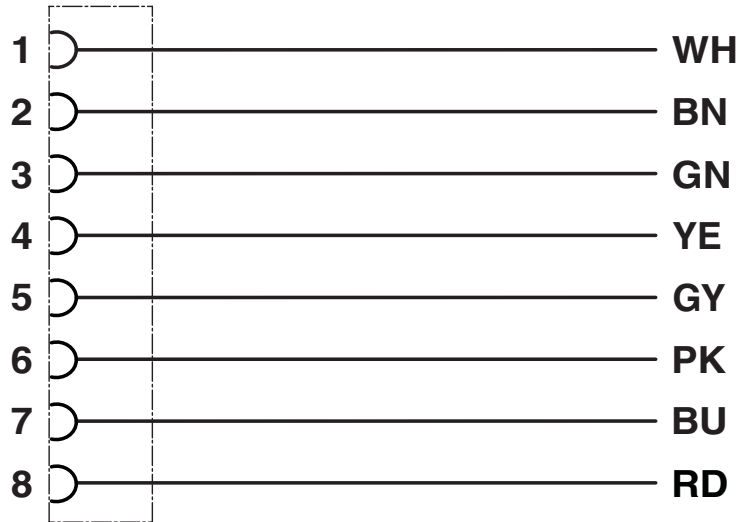
Panel feed-through - SACC-E-M12FS-8CON-M20/0,5 VA



1452110

<https://www.phoenixcontact.com/pc/products/1452110>

Circuit diagram



Contact assignment of the M12 plug and the M12 socket


Panel feed-through - SACC-E-M12FS-8CON-M20/0,5 VA




1452110

<https://www.phoenixcontact.com/pc/products/1452110>

Approvals

 UL Recognized Approval ID: FILE E 118976				
	Nominal Voltage U_N	Nominal Current I_N	Cross Section AWG	Cross Section mm^2
	30 V	2 A	- 24	-

 EAC Approval ID: B.01687				
--	--	--	--	--

 cULus Recognized Approval ID: E221474-20140616				
	Nominal Voltage U_N	Nominal Current I_N	Cross Section AWG	Cross Section mm^2
	30 V	2 A	24 - 22	-

Panel feed-through - SACC-E-M12FS-8CON-M20/0,5 VA



1452110

<https://www.phoenixcontact.com/pc/products/1452110>

Classifications

ECLASS

ECLASS-9.0	27440102
ECLASS-10.0.1	27440102
ECLASS-11.0	27440102

ETIM

ETIM 8.0	EC002635
----------	----------

UNSPSC

UNSPSC 21.0	39121400
-------------	----------

Panel feed-through - SACC-E-M12FS-8CON-M20/0,5 VA



1452110

<https://www.phoenixcontact.com/pc/products/1452110>

Environmental Product Compliance

REACH SVHC	Lead 7439-92-1
China RoHS	Environmentally Friendly Use Period = 50 years
	For information on hazardous substances, refer to the manufacturer's declaration available under "Downloads"

Panel feed-through - SACC-E-M12FS-8CON-M20/0,5 VA



1452110

<https://www.phoenixcontact.com/pc/products/1452110>

Accessories

Screw plug

Screw plug - PROT-M12 - 1680539

<https://www.phoenixcontact.com/pc/products/1680539>



An M12 screw plug for the unoccupied M12 sockets of the sensor/actuator cable, boxes and flush-type connectors

Screw plug

Screw plug - PROT-M12 SH - 1503302

<https://www.phoenixcontact.com/pc/products/1503302>



An M12 screw plug for the unoccupied M12 sockets of the shielded sensor/actuator cable, boxes and flush-type connectors

Panel feed-through - SACC-E-M12FS-8CON-M20/0,5 VA



1452110

<https://www.phoenixcontact.com/pc/products/1452110>

Screw plug

Screw plug - PROT-M12 FB - 1555538

<https://www.phoenixcontact.com/pc/products/1555538>



M12 high-grade steel screw plug, for unoccupied M12 sockets of the sensor/actuator cables, boxes and flush-type connectors for the food industry

Counter nut

Counter nut - A-INL-M20-S-S - 1411249

<https://www.phoenixcontact.com/pc/products/1411249>



Counter nut, material: Stainless steel 1.4305, for threads M20 x 1.5, color: silver

Phoenix Contact 2022 © - all rights reserved
<https://www.phoenixcontact.com>

PHOENIX CONTACT GmbH & Co. KG
Flachsmarktstraße 8
D-32825 Blomberg
+49 (0) 5235-3 00
info@phoenixcontact.com