

# Sensor/actuator box header - SACB-4/ 4-L-C GG SCO



1516726

<https://www.phoenixcontact.com/pc/products/1516726>

Please be informed that the data shown in this PDF document is generated from our Online Catalog. Please find the complete data in the user documentation. Our General Terms of Use for Downloads are valid.



Sensor/actuator box header, application: Standard, connection method: M12-SPEEDCON-socket Metal, number of slots: 4, number of positions: 4, coding: A - standard, slot assignment: single, status display: yes, pnp; master cable connection: Pluggable screw connection, shielding: no

## Commercial Data

Item number	1516726
Packing unit	1 pc
Minimum order quantity	1 pc
Product Key	BF3CCD
Catalog Page	Page 265 (C-2-2019)
GTIN	4017918967451
Weight per Piece (including packing)	193 g
Weight per Piece (excluding packing)	192.5 g
Customs tariff number	85366990
Country of origin	DE



# Sensor/actuator box header - SACB-4/ 4-L-C GG SCO



1516726

<https://www.phoenixcontact.com/pc/products/1516726>

Length	117 mm
--------	--------

## Material specifications

Color	green
Flammability rating according to UL 94	V0
Material of threaded sleeve	Zinc die-cast
Material of threaded sleeve surface	Nickel-plated
Contact material	Cu alloy
Contact surface material	gold-plated
Contact carrier material	PA
Material of contact, master cable side	CU alloy
Material of the contact carrier on the master cable side	PA 6.6 V0
Material of contact surface, master cable side	gold-plated
O-ring material	NBR
Material of the moulding mass	PUR
Housing material	PBT

## Cable / line

Sensor/actuator connection system	M12-SPEEDCON-socket
Connection method	Pluggable screw connection
Tightening torque of mounting screw for fixing the housing	0.5 Nm
Tightening torque slot sensor/actuator cable	0.4 Nm

## Environmental and real-life conditions

### Ambient conditions

Degree of protection	IP65
	IP67
	IP69K
Ambient temperature (operation)	-30 °C ... 80 °C

## Standards and regulations

Standards/specifications	IEC 61076-2-101
--------------------------	-----------------

# Sensor/actuator box header - SACB-4/ 4-L-C GG SCO

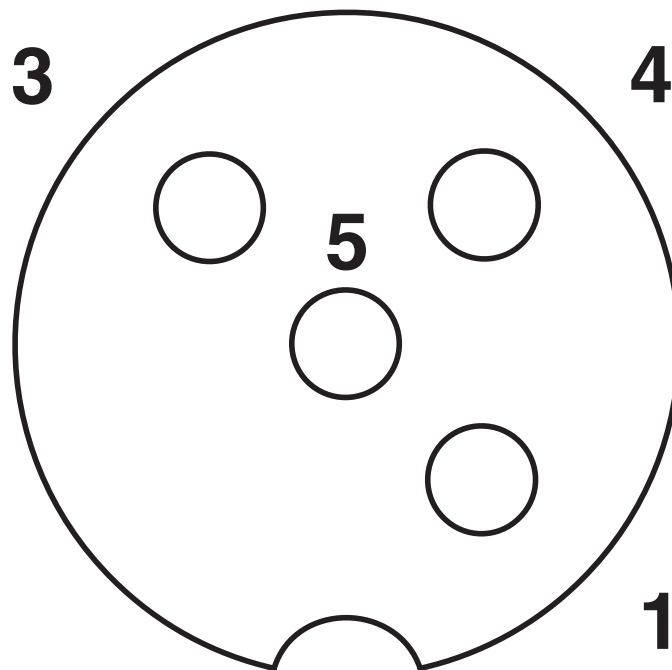


1516726

<https://www.phoenixcontact.com/pc/products/1516726>

## Drawings

Schematic diagram

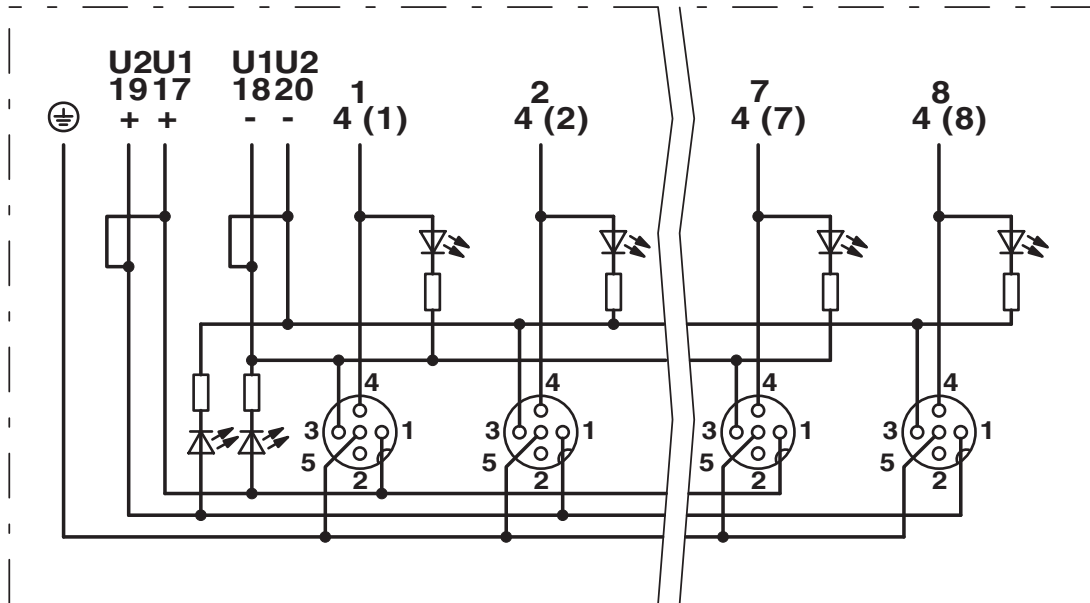


M12 slot, socket, 4-pos.

1516726

<https://www.phoenixcontact.com/pc/products/1516726>

Circuit diagram



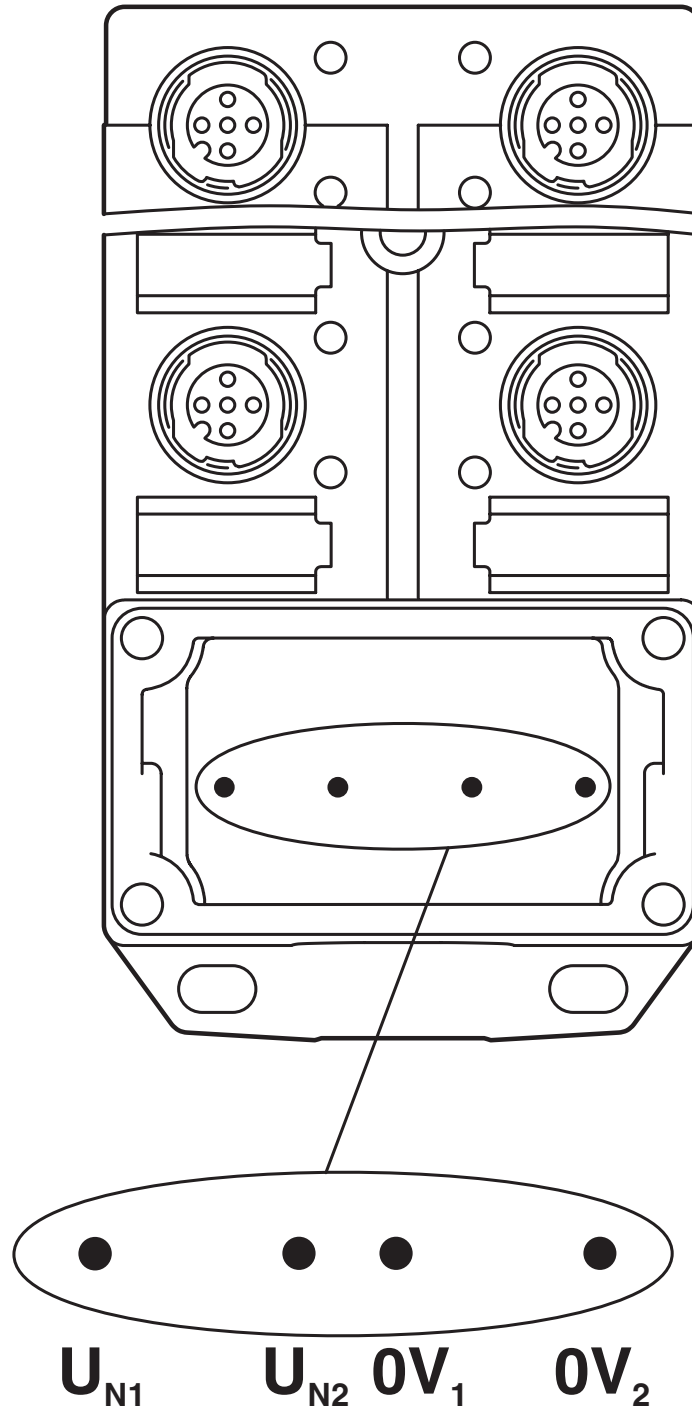
# Sensor/actuator box header - SACB-4/ 4-L-C GG SCO

1516726

<https://www.phoenixcontact.com/pc/products/1516726>



Schematic diagram



Electrically isolated. Potential assignment:  $U_{N1}$  = slots 1,3 and  $U_{N2}$  = slots 2,4.

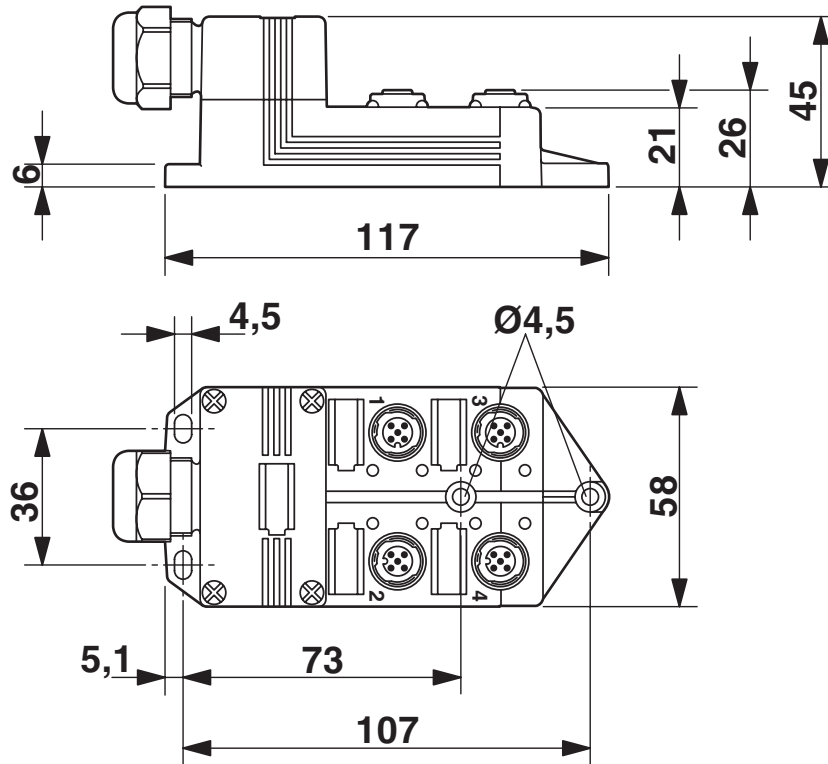
# Sensor/actuator box header - SACB-4/ 4-L-C GG SCO



1516726

<https://www.phoenixcontact.com/pc/products/1516726>

Dimensional drawing



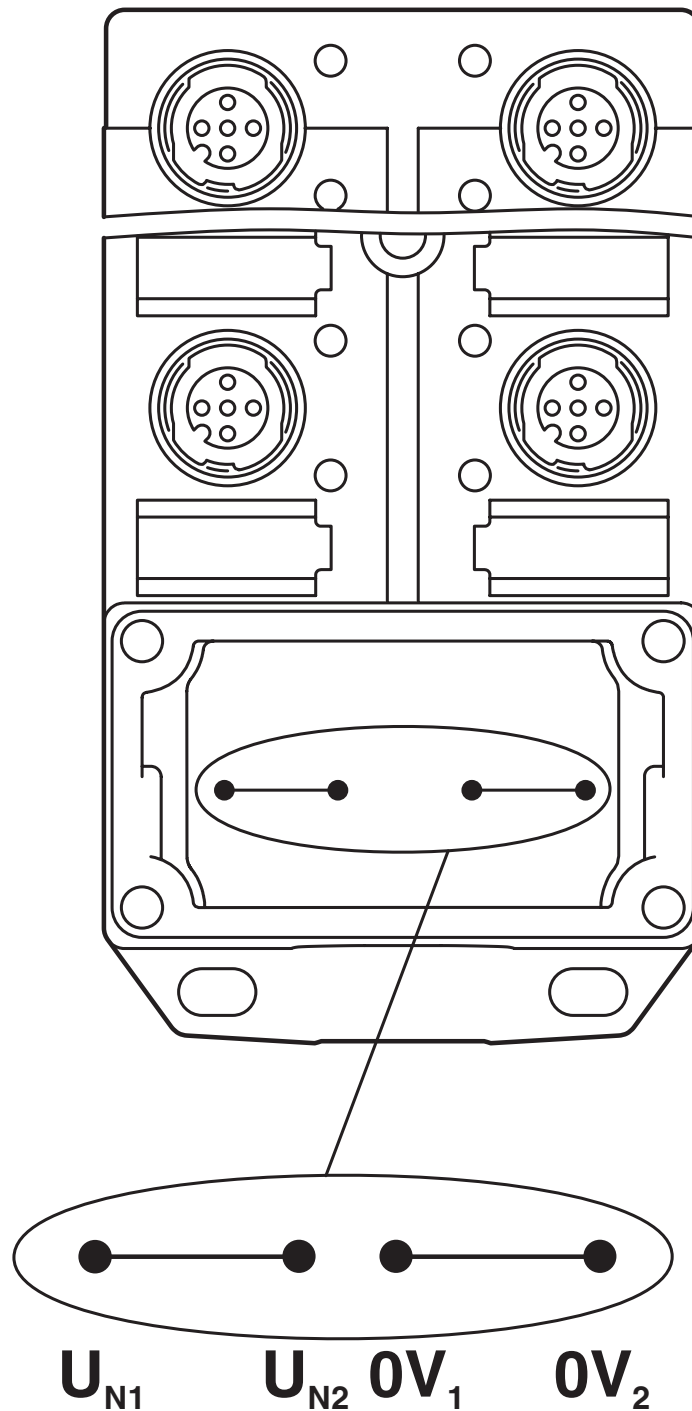
# Sensor/actuator box header - SACB-4/ 4-L-C GG SCO

1516726

<https://www.phoenixcontact.com/pc/products/1516726>



Schematic diagram



Potential  $U_{N1}$  and  $U_{N2}$  bridged. Potential assignment:  $U_{N1} = U_{N2} =$  slots 1,2,3,4.

# Sensor/actuator box header - SACB-4/ 4-L-C GG SCO



1516726

<https://www.phoenixcontact.com/pc/products/1516726>

## Approvals

 <b>cUL Recognized</b> Approval ID: FILE E 118976				
	Nominal Voltage $U_N$	Nominal Current $I_N$	Cross Section AWG	Cross Section $mm^2$
	24 V	3 A	-	-

 <b>UL Recognized</b> Approval ID: FILE E 118976				
	Nominal Voltage $U_N$	Nominal Current $I_N$	Cross Section AWG	Cross Section $mm^2$
	24 V	3 A	-	-

**cULus Recognized**

# Sensor/actuator box header - SACB-4/ 4-L-C GG SCO



1516726

<https://www.phoenixcontact.com/pc/products/1516726>

## Classifications

### ECLASS

ECLASS-9.0	27440108
ECLASS-10.0.1	27440111
ECLASS-11.0	27440111

### ETIM

ETIM 8.0	EC003558
----------	----------

### UNSPSC

UNSPSC 21.0	31251500
-------------	----------

# Sensor/actuator box header - SACB-4/ 4-L-C GG SCO



1516726

<https://www.phoenixcontact.com/pc/products/1516726>

## Environmental Product Compliance

China RoHS	Environmentally Friendly Use Period = 50 years
	For information on hazardous substances, refer to the manufacturer's declaration available under "Downloads"

1516726

<https://www.phoenixcontact.com/pc/products/1516726>

## Mandatory Accessories

### Connector hood

Connector hood - SACB-C-H180-4/ 4- 5,0PUR SCO - 1516353

<https://www.phoenixcontact.com/pc/products/1516353>



Connector hood, application: Sensor/actuator box, connection method: M12-SPEEDCON-socket Metal, number of slots: 4, slot assignment: single, status display: No; master cable connection: Pluggable screw connection 180°, PUR/PVC, cable length: 5 m, shielding: no

---

### Connector hood

Connector hood - SACB-C-H180-4/ 4-10,0PUR SCO - 1516548

<https://www.phoenixcontact.com/pc/products/1516548>



Connector hood, application: Sensor/actuator box, connection method: M12-SPEEDCON-socket Metal, number of slots: 4, slot assignment: single, status display: No; master cable connection: Pluggable screw connection 180°, PUR/PVC, cable length: 10 m, shielding: no

# Sensor/actuator box header - SACB-4/ 4-L-C GG SCO



1516726

<https://www.phoenixcontact.com/pc/products/1516726>

## Connector hood

Connector hood - SACB-C-H180 8/16 SCO - 1516713

<https://www.phoenixcontact.com/pc/products/1516713>



Connector hood with integrated connector with screw connection, for sensor/actuator boxes with M12 metal thread or QUICKON connection and master cable connection, for 4, 6, or 8 slots

---

## Accessories

### Screw plug

Screw plug - PROT-MS SCO - 1553129

<https://www.phoenixcontact.com/pc/products/1553129>



M12 screw plug with fast-locking system for unoccupied M12 female connectors of sensor/actuator cables, boxes, and flush-type connectors

# Sensor/actuator box header - SACB-4/ 4-L-C GG SCO



1516726

<https://www.phoenixcontact.com/pc/products/1516726>

## Torque screwdriver

Torque screwdriver - TSD 04 SAC - 1208429

<https://www.phoenixcontact.com/pc/products/1208429>



Torque screwdriver, with preset torque of 0.4 Nm and 4 mm hexagonal drive for M12 connectors

---

## Torque screwdriver

Torque screwdriver - TSD-M 1,2NM - 1212224

<https://www.phoenixcontact.com/pc/products/1212224>



Torque screw driver, accuracy as per EN ISO 6789 standard, adjustable from 0.3 - 1.2 Nm

# Sensor/actuator box header - SACB-4/ 4-L-C GG SCO



1516726

<https://www.phoenixcontact.com/pc/products/1516726>

## Adapter insert

Adapter insert - TSD-M SAC-BIT ADAPTER - 1212600

<https://www.phoenixcontact.com/pc/products/1212600>



Adapter bit for TSD-M...torque tools, E6.3-1/4" drive with 4 mm hexagon to accommodate SAC bits

---

## Tool

Tool - SAC BIT M12-D15 - 1208432

<https://www.phoenixcontact.com/pc/products/1208432>



Nut for assembling sensor/actuator cables with M12 connector and M12 connectors for assembly, with a knurl diameter of 15 mm, for 4 mm hexagonal drive

# Sensor/actuator box header - SACB-4/ 4-L-C GG SCO



1516726

<https://www.phoenixcontact.com/pc/products/1516726>

## Tool

Tool - SACC BIT M12-D20 - 1208445

<https://www.phoenixcontact.com/pc/products/1208445>

Nut for assembling M12 connectors for assembly with a knurl diameter of 20 mm, for 4 mm hexagonal drive



---

## Snap-in markers

Snap-in markers - UC-EM (17,5X9) - 0827490

<https://www.phoenixcontact.com/pc/products/0827490>

Snap-in markers, Sheet, white, unlabeled, can be labeled with: BLUEMARK ID, BLUEMARK ID COLOR, BLUEMARK CLED, BLUEMARK LED, CMS-P1-PLOTTER, PLOTMARK, mounting type: snapped, lettering field size: 17.5 x 9 mm, Number of individual labels: 20



1516726

<https://www.phoenixcontact.com/pc/products/1516726>

## Snap-in markers

Snap-in markers - UC-EM (17,5X9) CUS - 0828238

<https://www.phoenixcontact.com/pc/products/0828238>



Snap-in markers, can be ordered: by sheet, white, labeled according to customer specifications, mounting type: snapped into marker carrier, lettering field size: 17.5 x 9 mm, Number of individual labels: 20

---

## Snap-in markers

Snap-in markers - UCT-EM (17,5X9) - 0801491

<https://www.phoenixcontact.com/pc/products/0801491>



Snap-in markers, Sheet, white, unlabeled, can be labeled with: TOPMARK NEO, TOPMARK LASER, BLUEMARK ID COLOR, BLUEMARK ID, BLUEMARK CLED, THERMOMARK PRIME, THERMOMARK CARD 2.0, THERMOMARK CARD, mounting type: snapped, lettering field size: 17.5 x 9 mm, Number of individual labels: 24

# Sensor/actuator box header - SACB-4/ 4-L-C GG SCO



1516726

<https://www.phoenixcontact.com/pc/products/1516726>

## Snap-in markers

Snap-in markers - UCT-EM (17,5X9) CUS - 0801575

<https://www.phoenixcontact.com/pc/products/0801575>

UniCard sheet, for labeling devices from other manufacturers, for overview table see download area, labeled according to customer specifications



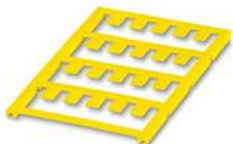
---

## Snap-in markers

Snap-in markers - UC-EM (17,5X9) YE - 0827494

<https://www.phoenixcontact.com/pc/products/0827494>

Snap-in markers, Sheet, yellow, unlabeled, can be labeled with: BLUEMARK ID COLOR, BLUEMARK ID, BLUEMARK CLED, PLOTMARK, CMS-P1-PLOTTER, mounting type: snapped, lettering field size: 17.5 x 9 mm, Number of individual labels: 20



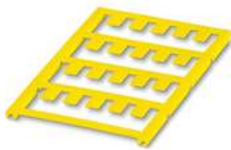
1516726

<https://www.phoenixcontact.com/pc/products/1516726>

## Snap-in markers

Snap-in markers - UC-EM (17,5X9) YE CUS - 0828239

<https://www.phoenixcontact.com/pc/products/0828239>



Snap-in markers, can be ordered: by sheet, yellow, labeled according to customer specifications, mounting type: snapped into marker carrier, lettering field size: 17.5 x 9 mm, Number of individual labels: 20

---

## Snap-in markers

Snap-in markers - UCT-EM (17,5X9) YE - 0801492

<https://www.phoenixcontact.com/pc/products/0801492>



Snap-in markers, Sheet, yellow, unlabeled, can be labeled with: TOPMARK NEO, TOPMARK LASER, BLUEMARK ID COLOR, BLUEMARK ID, BLUEMARK CLED, THERMOMARK PRIME, THERMOMARK CARD 2.0, THERMOMARK CARD, mounting type: snapped, lettering field size: 17.5 x 9 mm, Number of individual labels: 24

# Sensor/actuator box header - SACB-4/ 4-L-C GG SCO



1516726

<https://www.phoenixcontact.com/pc/products/1516726>

## Snap-in markers

Snap-in markers - UCT-EM (17,5X9) YE CUS - 0801576

<https://www.phoenixcontact.com/pc/products/0801576>

UniCard sheet, for labeling devices from other manufacturers, for overview table see download area, labeled according to customer specifications



---

## Screwdriver

Screwdriver - SZK PZ1 VDE - 1206450

<https://www.phoenixcontact.com/pc/products/1206450>

Screwdriver, PZ crosshead, VDE insulated, size: PZ 1 x 80 mm, 2-component grip, with non-slip grip



# Sensor/actuator box header - SACB-4/ 4-L-C GG SCO



1516726

<https://www.phoenixcontact.com/pc/products/1516726>

## Torque screwdriver

Torque screwdriver - TSD 25 SAC - 1212315

<https://www.phoenixcontact.com/pc/products/1212315>



Torque screwdriver, with preset torque of 2.5 Nm and 4 mm hexagonal drive for the pressure nut of the connector hood

---

## Torque screwdriver

Torque screwdriver - TSD-M 3NM - 1212225

<https://www.phoenixcontact.com/pc/products/1212225>



Torque screw driver, accuracy as per EN ISO 6789 standard, adjustable from 1.2 - 3 Nm

# Sensor/actuator box header - SACB-4/ 4-L-C GG SCO



1516726

<https://www.phoenixcontact.com/pc/products/1516726>

## Tool

Tool - SAC BIT HOOD-W 24 - 1212486

<https://www.phoenixcontact.com/pc/products/1212486>

Nut for assembling pressure nuts with 24 mm wrench size, for 4 mm hexagonal drive



---

## Screw insert

Screw insert - SF-BIT-PZ 1-50 - 1212591

<https://www.phoenixcontact.com/pc/products/1212591>

Screw bit, PZ crosshead, E6.3-1/4" drive, size: PZ 1 x 50 mm, hardened, suitable for holder according to DIN 3126-F6.3/ISO 1173



# Sensor/actuator box header - SACB-4/ 4-L-C GG SCO



1516726

<https://www.phoenixcontact.com/pc/products/1516726>

## DIN rail adapter

DIN rail adapter - UTA 107 - 2853983

<https://www.phoenixcontact.com/pc/products/2853983>

Universal DIN rail adapter, for screwing on switchgear



---

Phoenix Contact 2022 © - all rights reserved

<https://www.phoenixcontact.com>

PHOENIX CONTACT GmbH & Co. KG

Flachsmarktstraße 8

D-32825 Blomberg

+49 (0) 5235-3 00

[info@phoenixcontact.com](mailto:info@phoenixcontact.com)