

# Sensor/actuator cable - SAC-6P-M 8MR/ 5,0-PUR SH



1522367

<https://www.phoenixcontact.com/pc/products/1522367>

Please be informed that the data shown in this PDF document is generated from our Online Catalog. Please find the complete data in the user documentation. Our General Terms of Use for Downloads are valid.



Sensor/actuator cable, 6-position, PUR halogen-free, black-gray RAL 7021, shielded, Plug angled M8, on free cable end, cable length: 5 m

## Your advantages

- Easy and safe: 100% electrically tested plug-in components
- Reliable signal transmission – 360° shielding in environments with electromagnetic interference

## Commercial Data

Item number	1522367
Packing unit	1 pc
Minimum order quantity	1 pc
Note	Made to Order (non-returnable)
Product Key	BF1BNA
Catalog Page	Page 206 (C-2-2019)
GTIN	4046356021128
Weight per Piece (including packing)	194.5 g
Weight per Piece (excluding packing)	193 g
Customs tariff number	85444290
Country of origin	PL

## Technical Data

### Product properties

Product type	Sensor/actuator cable
Number of positions	6
Application	Standard
No. of cable outlets	1
Shielded	yes
Coding	A - standard

### Insulation characteristics

Overvoltage category	II
Degree of pollution	3

### Material specifications

Flammability rating according to UL 94	HB
Material of grip body	TPU, hardly inflammable, self-extinguishing
Contact material	CuZn
Contact surface material	Ni/Au
Contact carrier material	TPU GF
Material for screw connection	Zinc die-cast, nickel-plated

### Electrical properties

Rated voltage in acc. with IEC 61076-2-101	30 V
Contact resistance	$\leq 5 \text{ m}\Omega$
Insulation resistance	$\geq 100 \text{ M}\Omega$
Nominal voltage $U_N$	30 V AC
	30 V DC
Nominal current $I_N$	1.5 A
Protective circuit	unwired

### Mechanical properties

#### Mechanical data

Insertion/withdrawal cycles	$\geq 100$
-----------------------------	------------

### LED signaling

Status display	No
Status display present	No

### Connection data

#### Conductor connection

Tightening torque	0.2 Nm (M8 connectors)
-------------------	------------------------

# Sensor/actuator cable - SAC-6P-M 8MR/ 5,0-PUR SH



1522367

<https://www.phoenixcontact.com/pc/products/1522367>

## Connector

### Connection 1

Head design	Plug
Head cable outlet	angled
Head thread type	M8


### Connection 2

Head design	free cable end
-------------	----------------

## Cable / line

Cable length	5 m
--------------	-----

### PUR halogen-free black [PUR]

Dimensional drawing	
Cable weight	34 kg/km
Number of positions	6
Shielded	yes
Cable type	PUR halogen-free black [PUR]
Conductor structure signal line	18x 0.10 mm
AWG signal line	26
Conductor cross section	6x 0.14 mm <sup>2</sup> (Signal line)
Wire diameter incl. insulation	1.05 mm ±0.02 mm
External cable diameter	5.2 mm
Outer sheath, material	PUR
External sheath, color	black-gray RAL 7021
Conductor material	Bare Cu litz wires
Single wire, color	Brown, white, black, blue, gray, pink
Smallest bending radius, fixed installation	52 mm
Smallest bending radius, movable installation	52 mm
Max. bending cycles	4000000
Halogen-free	in accordance with DIN VDE 0472 part 815
Flame resistance	in accordance with DIN UL-Style 20549
Resistance to oil	in accordance with DIN EN 60811-2-1
Other resistance	Highly resistant to acids, alkaline solutions and solvents hydrolysis and microbe resistant partly UV-resistant in accordance with DIN EN ISO 4892-2-A

# Sensor/actuator cable - SAC-6P-M 8MR/ 5,0-PUR SH



1522367

<https://www.phoenixcontact.com/pc/products/1522367>

Special properties	Flexible cable conduit capable
	Silicone-free
	Free of substances which would hinder coating with paint or varnish
Ambient temperature (operation)	-40 °C ... 80 °C (cable, fixed installation)
	-5 °C ... 80 °C (Cable, flexible installation)

## Ambient conditions

Degree of protection	IP65
	IP67
Ambient temperature (operation)	-25 °C ... 90 °C (Plug / socket)
	-25 °C ... 80 °C (cable, fixed installation)
	-5 °C ... 80 °C (Cable, flexible installation)

## Standards and regulations

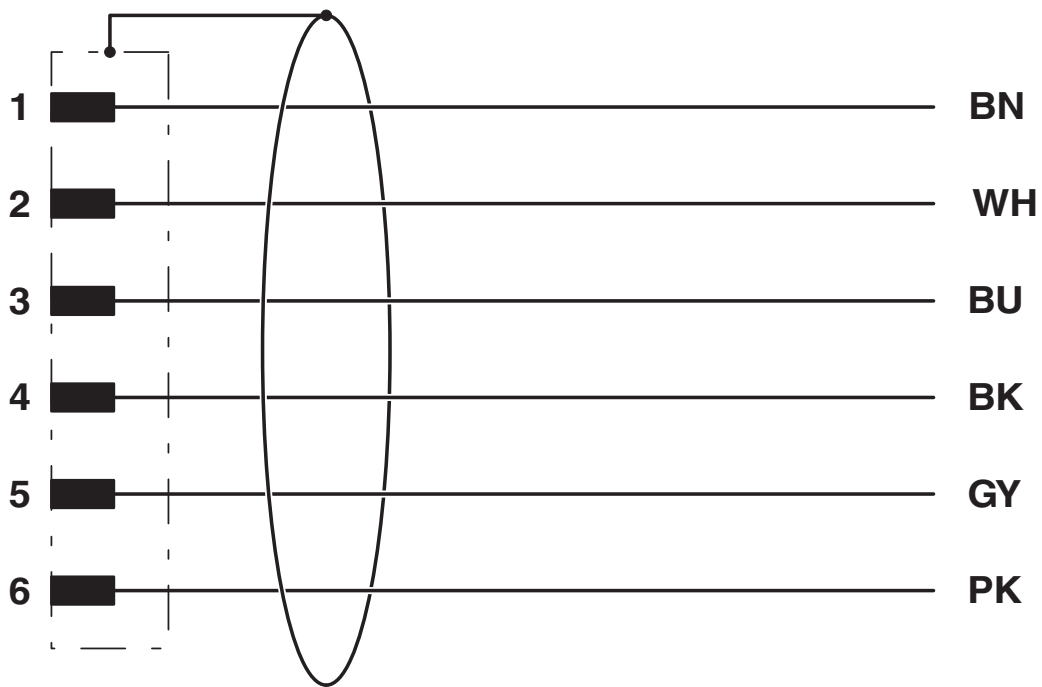
Standards/specifications	IEC 61076-2-104
--------------------------	-----------------

1522367

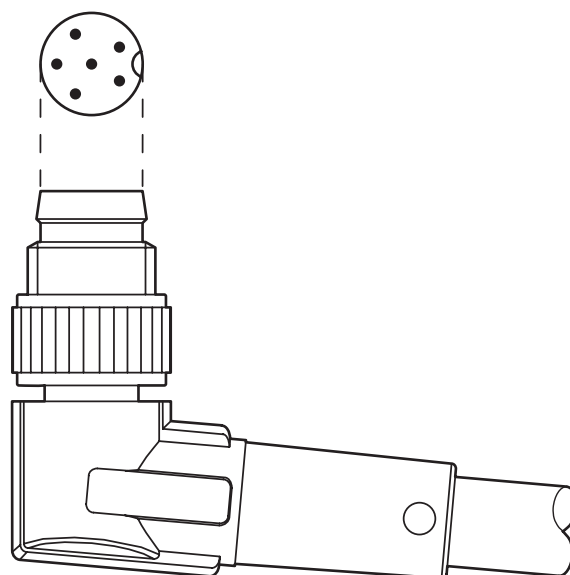
<https://www.phoenixcontact.com/pc/products/1522367>

## Drawings

Circuit diagram



Schematic diagram



Layout of connector pin assignments

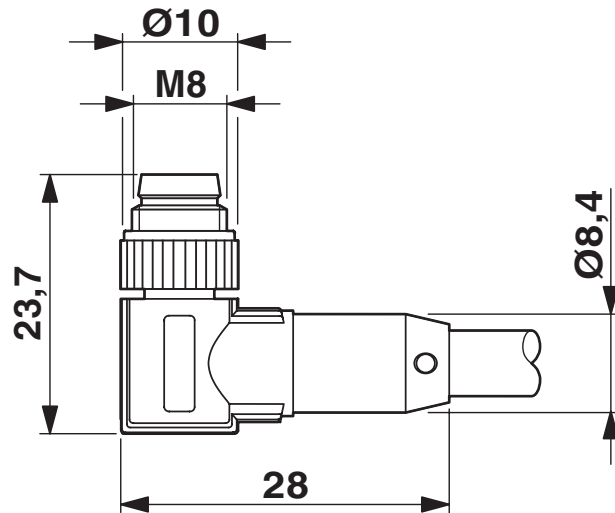
# Sensor/actuator cable - SAC-6P-M 8MR/ 5,0-PUR SH

1522367

<https://www.phoenixcontact.com/pc/products/1522367>

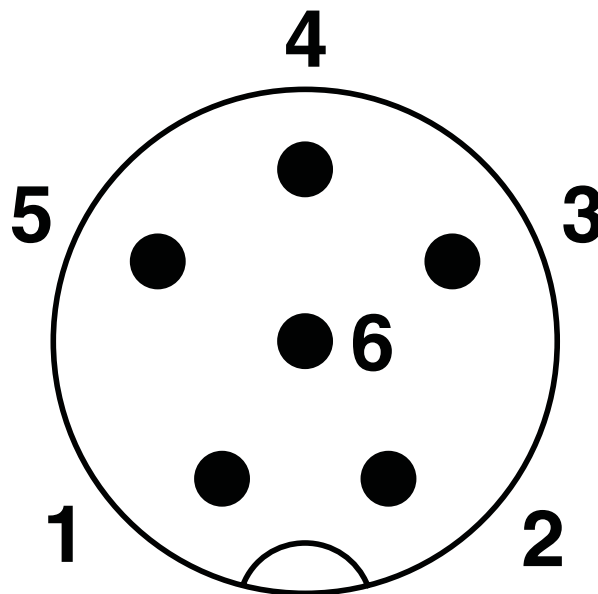


Dimensional drawing



Plug M8 x 1, angled, shielded

Schematic diagram



Pin assignment M8 plug, 6-pos., view male side


# Sensor/actuator cable - SAC-6P-M 8MR/ 5,0-PUR SH





1522367

<https://www.phoenixcontact.com/pc/products/1522367>

## Approvals

 <b>UL Listed</b> Approval ID: FILE E 221474				
	Nominal Voltage $U_N$	Nominal Current $I_N$	Cross Section AWG	Cross Section $\text{mm}^2$
	30 V	1.5 A	-	-

 <b>cUL Listed</b> Approval ID: FILE E 221474				
	Nominal Voltage $U_N$	Nominal Current $I_N$	Cross Section AWG	Cross Section $\text{mm}^2$
	30 V	1.5 A	-	-

 <b>EAC</b> Approval ID: RU D-DE.HB35.B.00387				
---	--	--	--	--

<b>cULus Listed</b>				
---------------------	--	--	--	--

# Sensor/actuator cable - SAC-6P-M 8MR/ 5,0-PUR SH



1522367

<https://www.phoenixcontact.com/pc/products/1522367>

## Classifications

### ECLASS

ECLASS-9.0	27060311
ECLASS-10.0.1	27060311
ECLASS-11.0	27060311

### ETIM

ETIM 8.0	EC001855
----------	----------

### UNSPSC

UNSPSC 21.0	26121600
-------------	----------

# Sensor/actuator cable - SAC-6P-M 8MR/ 5,0-PUR SH



1522367

<https://www.phoenixcontact.com/pc/products/1522367>

## Environmental Product Compliance

REACH SVHC	Lead 7439-92-1
China RoHS	Environmentally Friendly Use Period = 50 years
	For information on hazardous substances, refer to the manufacturer's declaration available under "Downloads"

1522367

<https://www.phoenixcontact.com/pc/products/1522367>

## Accessories

### Sealing cap

Sealing cap - PROT-M 8 FS-PA-CHAIN - 1430857

<https://www.phoenixcontact.com/pc/products/1430857>

M8 sealing cap made of plastic with fixing band for sensor cables, for M8 plugs



---

### Insert label

Insert label - PABA WH/23 - 1013779

<https://www.phoenixcontact.com/pc/products/1013779>

Insert label, Strip, white, unlabeled, can be labeled with: CMS-P1-PLOTTER, mounting type: slide-on, cable diameter range: 1.5 ... 35 mm, lettering field size: 23 x 4 mm, Number of individual labels: 20



1522367

<https://www.phoenixcontact.com/pc/products/1522367>

## Insert label

Insert label - PABA YE/23 - 1013782

<https://www.phoenixcontact.com/pc/products/1013782>



Insert label, Strip, yellow, unlabeled, can be labeled with: CMS-P1-PLOTTER, mounting type: slide-on, cable diameter range: 1.5 ... 35 mm, lettering field size: 23 x 4 mm, Number of individual labels: 20

---

## Marker pen

Marker pen - B-STIFT - 1051993

<https://www.phoenixcontact.com/pc/products/1051993>



Marker pen, for manual labeling of unprinted Zack strips, smear-proof and waterproof, line thickness 0.5 mm

# Sensor/actuator cable - SAC-6P-M 8MR/ 5,0-PUR SH



1522367

<https://www.phoenixcontact.com/pc/products/1522367>

## Diagonal cutter

Diagonal cutter - CUTFOX-S VDE - 1212207

<https://www.phoenixcontact.com/pc/products/1212207>



Diagonal cutter for hard (piano wire) and soft wires, VDE 1000 V AC/1500 V DC tested

---

## Stripping tool

Stripping tool - WIREFOX SAC-1 - 1212757

<https://www.phoenixcontact.com/pc/products/1212757>



Stripping pliers, for halogen-free sensor/actuator cables (SAC cables), with PUR and PVC insulation, from Ø of 3.2 to 4.4 mm, any stripping length

# Sensor/actuator cable - SAC-6P-M 8MR/ 5,0-PUR SH

1522367

<https://www.phoenixcontact.com/pc/products/1522367>

## Stripping tool

Stripping tool - WIREFOX SAC - 1212623

<https://www.phoenixcontact.com/pc/products/1212623>



Stripping pliers, for halogen-free sensor/actuator cables (SAC cables), with PUR and PVC insulation, from Ø of 4.4 to 7 mm, any stripping length

---

## Stripping tool

Stripping tool - WIREFOX 10 - 1212150

<https://www.phoenixcontact.com/pc/products/1212150>



Stripping tool, for cables and conductors from 0.02 - 10 mm<sup>2</sup>, self-adjusting, stripping length of up to 18 mm, cutting capacity of up to 10 mm<sup>2</sup> stranded/1.5 mm<sup>2</sup> solid, replaceable stripping blade

1522367

<https://www.phoenixcontact.com/pc/products/1522367>

## Protective hose adapter

Protective hose adapter - WP-CTA POM 13,0 BK - 1422884

<https://www.phoenixcontact.com/pc/products/1422884>



Protective hose adapter, for corrugated hoses with a nominal size of 13 (10 x 13), corrugated in parallel

---

## Protective hose

Protective hose - WP-PA HF 13,0 BK - 3240681

<https://www.phoenixcontact.com/pc/products/3240681>



Protective hose, material: PA 6, UV-resistant: yes, flexible, degree of protection: IP68, color: black, flammability rating in acc. with UL 94: V0, inner diameter: 10 mm, Total length: 50 m

# Sensor/actuator cable - SAC-6P-M 8MR/ 5,0-PUR SH



1522367

<https://www.phoenixcontact.com/pc/products/1522367>

## Protective hose

Protective hose - WP-PA HF-HB 13,0 BK - 3240839

<https://www.phoenixcontact.com/pc/products/3240839>



Protective hose, material: PA 6, UV-resistant: yes, flexible, degree of protection: IP68, color: black, flammability rating in acc. with UL 94: HB, inner diameter: 10 mm, Total length: 50 m

---

## Torque screwdriver

Torque screwdriver - TSD 02 SAC - 1208487

<https://www.phoenixcontact.com/pc/products/1208487>



Torque screwdriver, with preset torque of 0.2 Nm and 4 mm hexagonal drive for M8 connectors

# Sensor/actuator cable - SAC-6P-M 8MR/ 5,0-PUR SH



1522367

<https://www.phoenixcontact.com/pc/products/1522367>

## Tool

Tool - SAC BIT M8-D10 - 1208461

<https://www.phoenixcontact.com/pc/products/1208461>



Nut for assembling M8 connectors with longitudinal knurl and a knurl diameter of 10 mm, for 4 mm hexagonal drive

---

Phoenix Contact 2022 © - all rights reserved

<https://www.phoenixcontact.com>

PHOENIX CONTACT GmbH & Co. KG

Flachsmarktstraße 8

D-32825 Blomberg

+49 (0) 5235-3 00

[info@phoenixcontact.com](mailto:info@phoenixcontact.com)