

# Device connector front mounting - SACCEC-M12MS-5CON-M16/ 1,0-920



1525636

<https://www.phoenixcontact.com/pc/products/1525636>

Please be informed that the data shown in this PDF document is generated from our Online Catalog. Please find the complete data in the user documentation. Our General Terms of Use for Downloads are valid.



Device connector front mounting, CANopen<sup>®</sup>, DeviceNet<sup>™</sup>, 5-position, PUR halogen-free, red lilac RAL 4001, shielded, Plug, straight, M12, A-coded, on free cable end, Front mounting, M16 x 1.5, CAN Bus / DeviceNet, cable length: 1 m, CANopen<sup>®</sup>/DeviceNet<sup>™</sup>, PUR, violet item no.: 1239890

## Your advantages

- Pre-assembled with cables in various standard lengths for immediate use
- Customer-specific assemblies and cable lengths can be supplied
- Sealed on the cable side for optimum tightness of seal
- Cable designs for all common networks and fieldbuses
- For high transmission safety: shield connection to the housing with optional EMC nut

## Commercial Data

Item number	1525636
Packing unit	1 pc
Minimum order quantity	1 pc
Product Key	ABQCEA
Catalog Page	Page 427 (C-2-2019)
GTIN	4046356022378
Weight per Piece (including packing)	83.6 g
Weight per Piece (excluding packing)	82.6 g
Customs tariff number	85444290
Country of origin	DE

# Device connector front mounting - SACCEC-M12MS-5CON-M16/ 1,0-920



1525636

<https://www.phoenixcontact.com/pc/products/1525636>

## Technical Data

### Notes

#### Notes on operation

The electrical and mechanical data specified assume that the connector pair is correctly locked and mounted. If the connector is unlocked and if there is a danger of contamination, the connector must be sealed using a protective cap > IP54. Influences arising from litz wires, cables or PCB assembly must also be taken into consideration.

#### Safety note

#### Safety note

**WARNING:** The connectors may not be plugged in or disconnected under load. Ignoring the warning or improper use may damage persons and/or property.

- **WARNING:** Commission properly functioning products only. The products must be regularly inspected for damage. Decommission defective products immediately. Replace damaged products. Repairs are not possible.

- **WARNING:** Only electrically qualified personnel may install and operate the product. They must observe the following safety notes. The qualified personnel must be familiar with the basics of electrical engineering. They must be able to recognize and prevent danger. The relevant symbol on the packaging indicates that only personnel familiar with electrical engineering are allowed to install and operate the product.

- The products are suitable for applications in plant, controller, and electrical device engineering.

- When operating the connectors in outdoor applications, they must be separately protected against environmental influences.

- Assembled products may not be manipulated or improperly opened.

- Only use mating connectors that are specified in the technical data of the standards listed (e.g. the ones listed in the product accessories online at [phoenixcontact.com/products](https://www.phoenixcontact.com/products)).

- When using the product in direct connection with third-party manufacturers, the user is responsible.

- For operating voltages > 50 V AC, conductive connector housings must be grounded

- Ensure that when laying the cable, the tensile load on the connectors does not exceed the upper limit specified in the standards.

- Observe the corresponding technical data. You will find information:

- o On the product

- o On the packing label

- o In the supplied documentation

- o Online at [phoenixcontact.com/products](https://www.phoenixcontact.com/products) under the product

- Only use tools recommended by Phoenix Contact

- Use a protective cap to protect connectors that are not in use. The suitable accessories are available online in the accessory section of the product at [phoenixcontact.com/products](https://www.phoenixcontact.com/products)

# Device connector front mounting - SACCEC-M12MS-5CON-M16/ 1,0-920



1525636

<https://www.phoenixcontact.com/pc/products/1525636>

	<ul style="list-style-type: none"><li>• Ensure that the protective or functional ground has been properly connected.</li></ul>
	<ul style="list-style-type: none"><li>• VDE 0100/1.97 § 411.1.3.2 and DIN EN 60 204/11.98 § 14.1.3 are applicable when combining several circuits in a cable and/or connector</li></ul>
	<ul style="list-style-type: none"><li>• The connector warms up in normal operation. Depending on the ambient conditions, the surface of the connector can continue to warm up. In this case, the user is responsible for posting warnings (e.g. DIN EN ISO 13732-1:2008-12).</li></ul>

## Mounting

Mounting type	Front mounting M16 x 1.5 With locking nut
Assembly instructions	With locking nut

## Product properties

Product type	Circular connectors (device side)
Number of positions	5
No. of cable outlets	1
Shielded	yes
Coding	A - standard

## Insulation characteristics

Overvoltage category	II
Degree of pollution	3

## Material specifications

Flammability rating according to UL 94	V0
Sealing material	NBR
Contact material	CuZn
Contact surface material	Ni/Au
Contact carrier material	PA 6.6
Material for screw connection	Zinc die-cast, nickel-plated

## Electrical properties

Rated surge voltage	1.5 kV
Contact resistance	≤ 3 mΩ
Insulation resistance	≥ 100 MΩ
Nominal voltage $U_N$	48 V AC 60 V DC
Nominal current $I_N$	4 A (Plug/socket in accordance with IEC 61076-2-101, cable technical data is to be observed)
Test voltage	2500 V
Transmission medium	Copper

## Connection data

# Device connector front mounting - SACCEC-M12MS-5CON-M16/ 1,0-920



1525636

<https://www.phoenixcontact.com/pc/products/1525636>

## Conductor connection

Connection method	CAN Bus / DeviceNet
Type of contact	Crimp contacts
Tightening torque	3 Nm
	4 Nm

## Connector

### Connection 1

Head design	Plug
Head cable outlet	straight
Head thread type	M12
Coding	A-coded


### Connection 2

Head design	free cable end
-------------	----------------

## Cable / line

Cable length	1 m
--------------	-----

### CANopen<sup>®</sup>/DeviceNet<sup>™</sup>, PUR, violet [920]

Dimensional drawing	
Cable weight	90 kg/km
UL AWM Style	21198 (80°C/300 V)
Number of positions	4
Shielded	yes
Cable type	CANopen <sup>®</sup> /DeviceNet <sup>™</sup> , PUR, violet [920]
Conductor structure	2xAWG24/19+2xAWG22/19
Conductor structure signal line	19x 0.13 mm
AWG signal line	24
Conductor cross section	2x 0.25 mm <sup>2</sup> (Data cable)
	2x 0.34 mm <sup>2</sup> (Power supply)
	1x 0.34 mm <sup>2</sup> (Drain wire)
Wire diameter incl. insulation	1.95 mm ±0.05 mm (Data cable)
	1.4 mm ±0.05 mm (Power supply)
External cable diameter	6.7 mm ±0.3 mm

# Device connector front mounting - SACCEC-M12MS-5CON-M16/ 1,0-920



1525636

<https://www.phoenixcontact.com/pc/products/1525636>

Outer sheath, material	PUR
External sheath, color	red lilac RAL 4001
Conductor material	Tin-plated Cu litz wires
Material wire insulation	Foamed PE (Data cable) PE (Power supply)
Single wire, color	red-black, blue-white
Twisted pairs	2 cores to the pair
Type of pair shielding	Plastic-coated aluminum foil, aluminum side outside
Overall twist	2 pairs around a drain wire in the center to the core
Optical shield covering	80 %
Insulation resistance	≥ 5 GΩ*km (Data cable) ≥ 5 GΩ*km (Power supply)
Loop resistance	≤ 181.80 Ω/km (Data cable) ≤ 114.80 Ω/km (Power supply)
Wave impedance	120 Ω ±10 % (with 1 MHz)
Cable capacity	nom. 40 nF/km (Data cable)
Nominal voltage, cable	≤ 300 V (Peak value, not for high-power applications)
Test voltage Core/Core	2000 V (50 Hz, 1 min.)
Test voltage Core/Shield	2000 V (50 Hz, 1 min.)
Minimum bending radius, fixed installation	5 x D
Minimum bending radius, flexible installation	10 x D
Max. bending cycles	5000000
Shield attenuation	≤ 22.9 dB/km (with 1 MHz) ≤ 16.4 dB/km (At 500 kHz) ≤ 9.5 dB/km (At 125 kHz)
Halogen-free	in accordance with DIN VDE 0472 part 815 according to IEC 60754-1
Flame resistance	UL 1581, Section 1060 and UL 2556, Section 9.3 (FT1) UL 1581, Section 1100 and UL 2556, Section 9.1 (HFT/FT2) IEC 60332-1-2 in accordance with ISO 6722-1 5.22 (UN ECE-R 118.01)
Other resistance	Low adhesion
Ambient temperature (operation)	-40 °C ... 80 °C (cable, fixed installation) -30 °C ... 70 °C (Cable, flexible installation) -20 °C ... 60 °C (for installation) -20 °C ... 60 °C (cable, drag chain applications)

## Ambient conditions

Degree of protection	IP67
Degree of protection	IP65/IP67
Ambient temperature (operation)	-25 °C ... 85 °C (Plug / socket) -40 °C ... 85 °C (without mechanical actuation)

# Device connector front mounting - SACCEC-M12MS-5CON-M16/ 1,0-920



1525636

<https://www.phoenixcontact.com/pc/products/1525636>

## Standards and regulations

M12

Standards/specifications	IEC 61076-2-101
--------------------------	-----------------

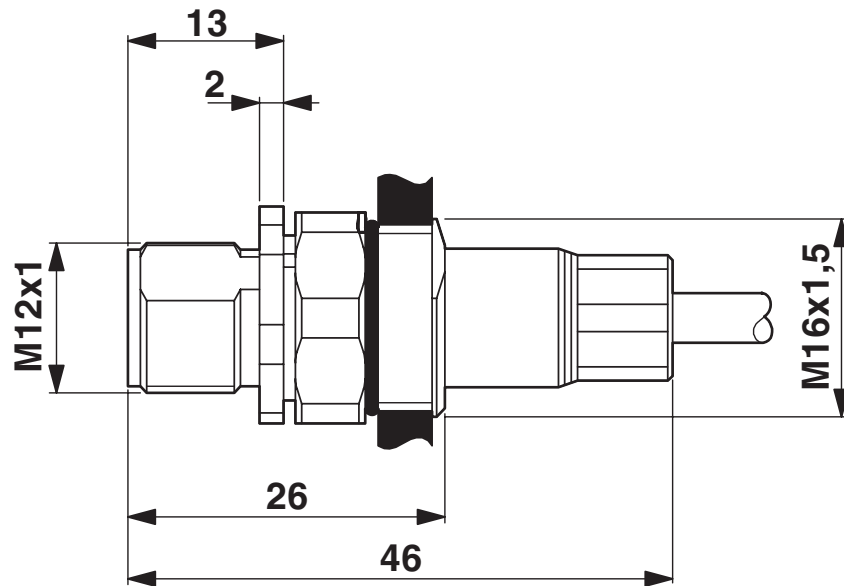
# Device connector front mounting - SACCEC-M12MS-5CON-M16/ 1,0-920

1525636

<https://www.phoenixcontact.com/pc/products/1525636>

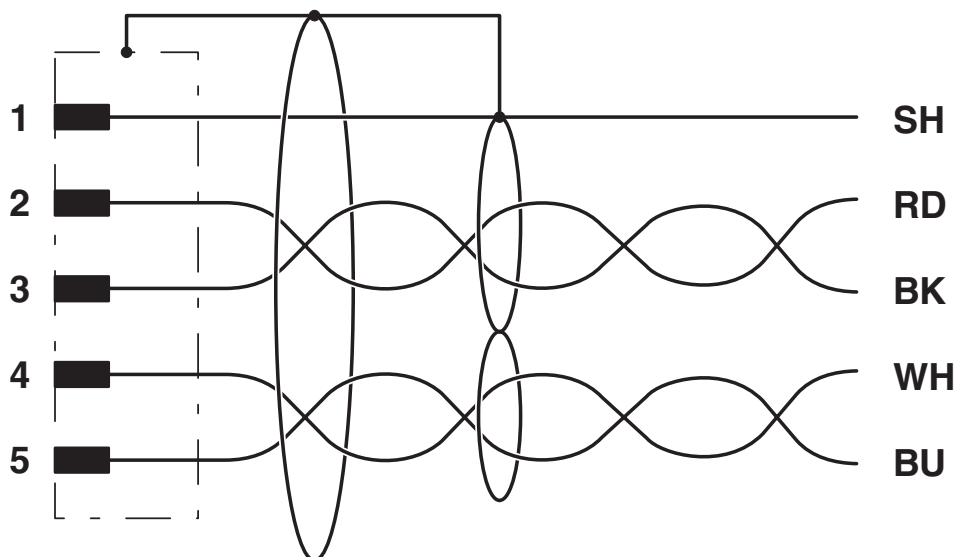
## Drawings

Dimensional drawing



M12 flush-type plug, front mounting, can be positioned

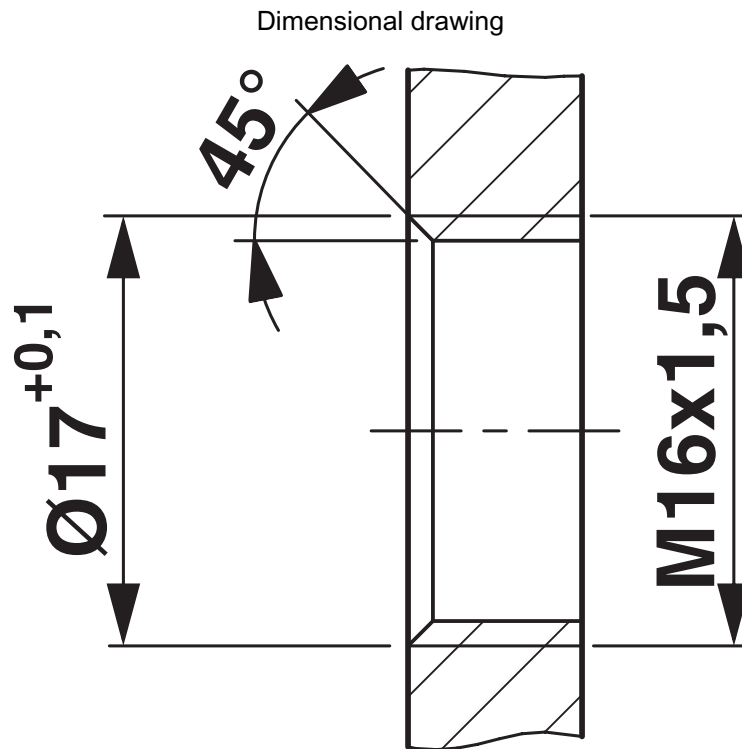
Circuit diagram



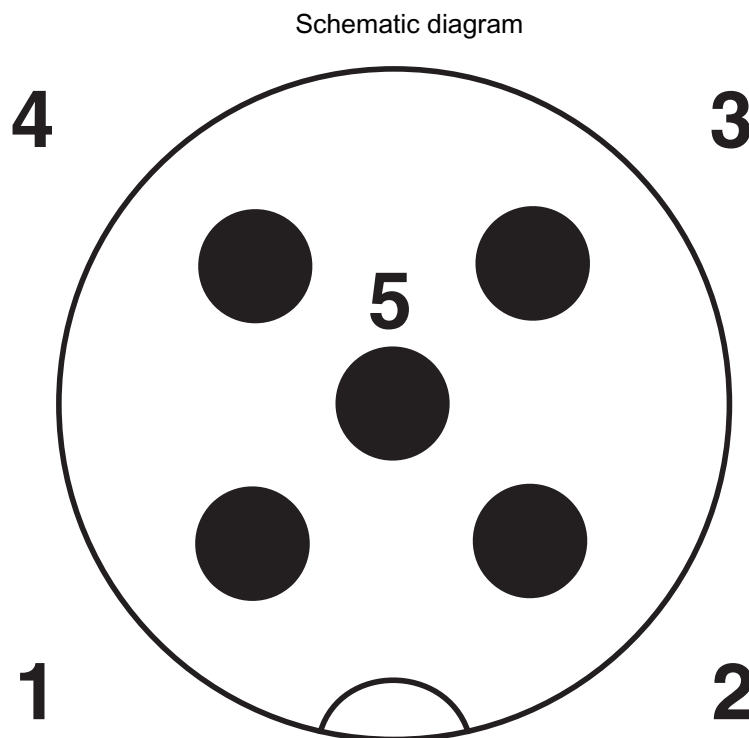
# Device connector front mounting - SACCEC-M12MS-5CON-M16/ 1,0-920

1525636

<https://www.phoenixcontact.com/pc/products/1525636>



Housing cutout for M16 fastening thread, mounting panel with thread



Pin assignment M12 male connector, 5-pos., A-coded, male side

# Device connector front mounting - SACCEC-M12MS-5CON-M16/ 1,0-920



1525636

<https://www.phoenixcontact.com/pc/products/1525636>

## Approvals



**EAC**

Approval ID: B.01687



**cUL Recognized**

Approval ID: E221474-20220908

	Nominal Voltage $U_N$	Nominal Current $I_N$	Cross Section AWG	Cross Section $\text{mm}^2$
	30 V	1.5 A	-	-



**UL Recognized**

Approval ID: E221474-20220908

	Nominal Voltage $U_N$	Nominal Current $I_N$	Cross Section AWG	Cross Section $\text{mm}^2$
	30 V	2 A	-	-

**cULus Recognized**

# Device connector front mounting - SACCEC-M12MS-5CON-M16/ 1,0-920



1525636

<https://www.phoenixcontact.com/pc/products/1525636>

## Classifications

### ECLASS

ECLASS-9.0	27440102
ECLASS-10.0.1	27440102
ECLASS-11.0	27440102

### ETIM

ETIM 8.0	EC002635
----------	----------

### UNSPSC

UNSPSC 21.0	39121400
-------------	----------

# Device connector front mounting - SACCEC-M12MS-5CON-M16/ 1,0-920



1525636

<https://www.phoenixcontact.com/pc/products/1525636>

## Environmental Product Compliance

REACH SVHC	Lead 7439-92-1
China RoHS	Environmentally Friendly Use Period = 50 years
	For information on hazardous substances, refer to the manufacturer's declaration available under "Downloads"

Phoenix Contact 2022 © - all rights reserved  
<https://www.phoenixcontact.com>

PHOENIX CONTACT GmbH & Co. KG  
Flachmarktstraße 8  
D-32825 Blomberg  
+49 (0) 5235-3 00  
[info@phoenixcontact.com](mailto:info@phoenixcontact.com)