

# Sensor/actuator cable - SAC-4P-M12MS/0,6-800/M12FR-3L



1567173

<https://www.phoenixcontact.com/pc/products/1567173>

Please be informed that the data shown in this PDF document is generated from our Online Catalog. Please find the complete data in the user documentation. Our General Terms of Use for Downloads are valid.



Sensor/actuator cable, 4-position, PUR halogen-free, resistant to welding sparks, highly flexible, gray RAL 7001, Plug straight M12, coding: A, on Socket angled M12, coding: A, with 3 LEDs, cable length: 0.6 m, for robots and drag chains

## Your advantages

- Easy and safe: 100% electrically tested plug-in components
- Reliable solution for the body shop as cable is resistant to welding sparks
- Convenient: increased machine availability thanks to quick and easy diagnostics

## Commercial Data

Item number	1567173
Packing unit	1 pc
Minimum order quantity	1 pc
Product Key	BF1CCA
Catalog Page	Page 198 (C-2-2019)
GTIN	4046356326360
Weight per Piece (including packing)	38.2 g
Weight per Piece (excluding packing)	38.2 g
Customs tariff number	85444290
Country of origin	PL

# Sensor/actuator cable - SAC-4P-M12MS/0,6-800/M12FR-3L



1567173

<https://www.phoenixcontact.com/pc/products/1567173>

## Technical Data

### Product properties

Product type	Sensor/actuator cable
Number of positions	4
Application	Robots and drag chains
No. of cable outlets	1
Shielded	no
Coding	A - standard

### Insulation characteristics

Overvoltage category	II
Degree of pollution	3

### Material specifications

Flammability rating according to UL 94	HB
Sealing material	NBR
Material of grip body	TPU, hardly inflammable, self-extinguishing
Contact material	CuSn
Contact surface material	Ni/Au
Contact carrier material	TPU GF
Material for screw connection	Zinc die-cast, nickel-plated

### Electrical properties

Contact resistance	$\leq 5 \text{ m}\Omega$
Insulation resistance	$\geq 100 \text{ M}\Omega$
Nominal voltage $U_N$	24 V DC
Nominal current $I_N$	4 A
Protective circuit	unwired

### Mechanical properties

#### Mechanical data

Insertion/withdrawal cycles	$\geq 100$
-----------------------------	------------

### LED signaling

Status display	3 LEDs
Status display present	yes

### Connection data

#### Conductor connection

Tightening torque	0.4 Nm (M12 connector)
-------------------	------------------------

### Connector

# Sensor/actuator cable - SAC-4P-M12MS/0,6-800/M12FR-3L

1567173

<https://www.phoenixcontact.com/pc/products/1567173>

## Connection 1

Head design	Plug
Head cable outlet	straight
Head thread type	M12
Coding	A

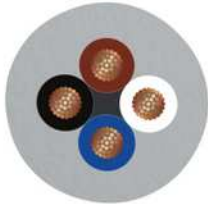
## Connection 2

Head design	Socket
Head cable outlet	angled
Head thread type	M12
Coding	A
Status indicator head	3 LEDs

## Cable / line

Cable length	0.6 m
--------------	-------

## Gray, highly flexible PUR [800]

Dimensional drawing	
Note	Due to the extremely robust outer sheath, this cable should only be stripped in 5 cm increments.
Cable weight	33.5 kg/km
UL AWM Style	20549
Number of positions	4
Shielded	no
Cable type	Gray, highly flexible PUR [800]
Conductor structure signal line	42x 0.10 mm
AWG signal line	22
Conductor cross section	4x 0.34 mm <sup>2</sup> (Signal line)
Wire diameter incl. insulation	1.3 mm ±0.05 mm (Signal line)
External cable diameter	4.8 mm ±0.2 mm
Outer sheath, material	PUR
External sheath, color	gray RAL 7001
Conductor material	Bare Cu litz wires
Material wire insulation	PP
Single wire, color	brown, white, blue, black
Overall twist	4 wires, twisted
Max. conductor resistance	approx. 53 Ω/km

# Sensor/actuator cable - SAC-4P-M12MS/0,6-800/M12FR-3L



1567173

<https://www.phoenixcontact.com/pc/products/1567173>

Insulation resistance	≥ 20 MΩ*km
Nominal voltage, cable	300 V
Test voltage	2000 V
Minimum bending radius, fixed installation	4 x D
Minimum bending radius, flexible installation	7.5 x D
Max. bending cycles	10000000
	15000000
Torsion force	± 360 °/m
Torsion cycles	1000000
Halogen-free	in accordance with DIN VDE 0472 part 815
Flame resistance	in accordance with UL 758/1581 FT2
Resistance to oil	in accordance with DIN EN 60811-2-1
Other resistance	Highly resistant to acids, alkaline solutions and solvents
	Silicone-free
Special properties	Cable jacket is welding spark-resistant, recyclable, matt, low-adhesion, abrasion-resistant, flame-retardant, and self-extinguishing
	Free from silicone and cadmium
	Free of substances which would hinder coating with paint or varnish
Ambient temperature (operation)	-40 °C ... 80 °C (cable, fixed installation)
	-25 °C ... 80 °C (Cable, flexible installation)

## Ambient conditions

Degree of protection	IP65
	IP67
	IP68
Ambient temperature (operation)	-25 °C ... 90 °C (Plug / socket)
	-40 °C ... 90 °C (cable, fixed installation)
	-30 °C ... 90 °C (Cable, flexible installation)
	to 120 °C (for 3000 h)
	to 80 °C (in acc. with UL)

## Standards and regulations

Standards/specifications	IEC 61076-2-101
--------------------------	-----------------

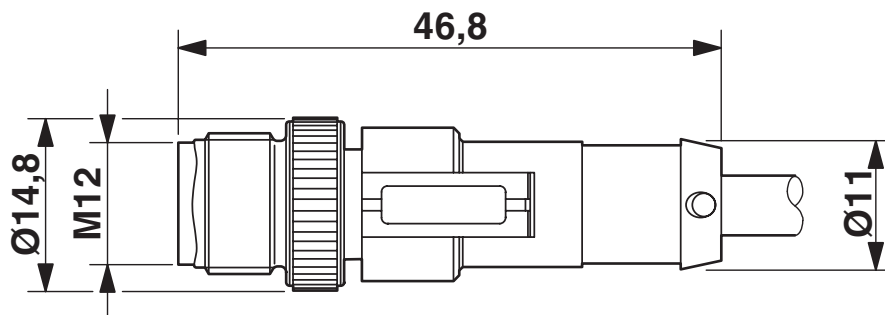
# Sensor/actuator cable - SAC-4P-M12MS/0,6-800/M12FR-3L

1567173

<https://www.phoenixcontact.com/pc/products/1567173>

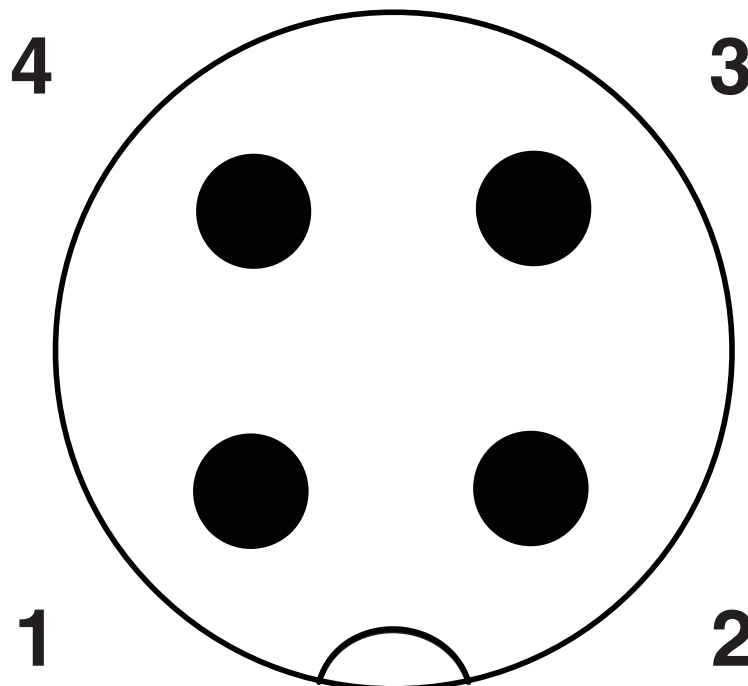
## Drawings

Dimensional drawing



Plug, M12 x 1, straight, shielded

Schematic diagram



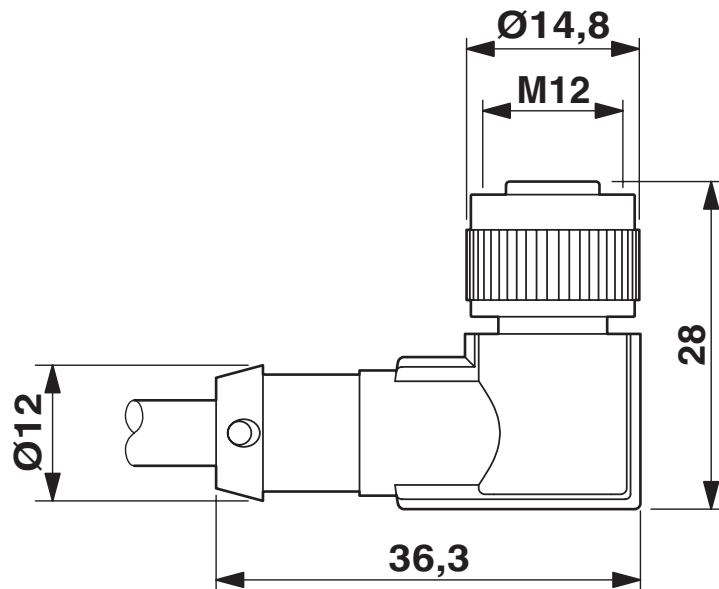
Pin assignment M12 plug, 4-pos., A-coded, view plug side

# Sensor/actuator cable - SAC-4P-M12MS/0,6-800/M12FR-3L

1567173

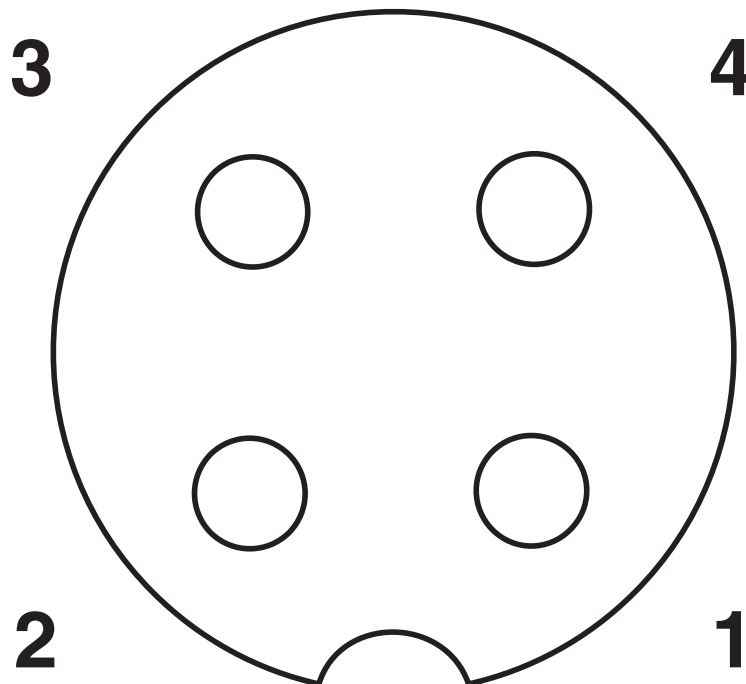
<https://www.phoenixcontact.com/pc/products/1567173>

Dimensional drawing



Socket M12 x 1, angled, with LED

Schematic diagram



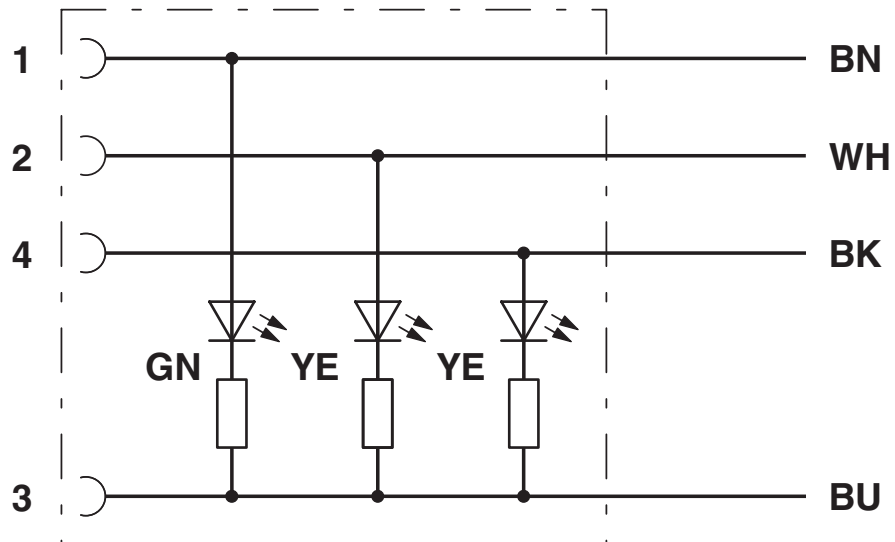
Pin assignment M12 socket, 4-pos., A-coded, view female side

# Sensor/actuator cable - SAC-4P-M12MS/0,6-800/M12FR-3L

1567173

<https://www.phoenixcontact.com/pc/products/1567173>

Circuit diagram




# Sensor/actuator cable - SAC-4P-M12MS/0,6-800/M12FR-3L





1567173

<https://www.phoenixcontact.com/pc/products/1567173>

## Approvals

 <b>UL Listed</b> Approval ID: FILE E 221474				
	Nominal Voltage $U_N$	Nominal Current $I_N$	Cross Section AWG	Cross Section $\text{mm}^2$
	24 V	4 A	-	-

 <b>cUL Listed</b> Approval ID: FILE E 221474				
	Nominal Voltage $U_N$	Nominal Current $I_N$	Cross Section AWG	Cross Section $\text{mm}^2$
	24 V	4 A	-	-

 <b>EAC</b> Approval ID: RU D-DE.HB35.B.00387	
---	--

<b>cULus Listed</b>
---------------------

# Sensor/actuator cable - SAC-4P-M12MS/0,6-800/M12FR-3L



1567173

<https://www.phoenixcontact.com/pc/products/1567173>

## Classifications

### ECLASS

ECLASS-9.0	27060311
ECLASS-10.0.1	27060311
ECLASS-11.0	27060311

### ETIM

ETIM 8.0	EC001855
----------	----------

### UNSPSC

UNSPSC 21.0	26121600
-------------	----------

# Sensor/actuator cable - SAC-4P-M12MS/0,6-800/M12FR-3L



1567173

<https://www.phoenixcontact.com/pc/products/1567173>

## Environmental Product Compliance

China RoHS	Environmentally friendly use period: unlimited = EFUP-e
	No hazardous substances above threshold values

# Sensor/actuator cable - SAC-4P-M12MS/0,6-800/M12FR-3L

1567173

<https://www.phoenixcontact.com/pc/products/1567173>

## Accessories

### Torque screwdriver

Torque screwdriver - TSD 04 SAC - 1208429

<https://www.phoenixcontact.com/pc/products/1208429>



Torque screwdriver, with preset torque of 0.4 Nm and 4 mm hexagonal drive for M12 connectors

---

### Tool

Tool - SAC BIT M12-D15 - 1208432

<https://www.phoenixcontact.com/pc/products/1208432>



Nut for assembling sensor/actuator cables with M12 connector and M12 connectors for assembly, with a knurl diameter of 15 mm, for 4 mm hexagonal drive

# Sensor/actuator cable - SAC-4P-M12MS/0,6-800/M12FR-3L

1567173

<https://www.phoenixcontact.com/pc/products/1567173>

## Sealing cap

Sealing cap - PROT-M12 FS-PA-CHAIN - 1430873

<https://www.phoenixcontact.com/pc/products/1430873>

M12 sealing cap made of plastic with fixing band, for sensor cables, for free M12 plugs



---

## Screw plug

Screw plug - PROT-M12 MS-PA-CHAIN - 1430899

<https://www.phoenixcontact.com/pc/products/1430899>

M12 sealing cap with fixing band, for sensor cables, for free M12 sockets



---

Phoenix Contact 2022 © - all rights reserved  
<https://www.phoenixcontact.com>

PHOENIX CONTACT GmbH & Co. KG  
Flachsmarktstraße 8  
D-32825 Blomberg  
+49 (0) 5235-3 00  
[info@phoenixcontact.com](mailto:info@phoenixcontact.com)