

Accessories - MSTBC-MT 0,2-0,5 BAND

1879544

<https://www.phoenixcontact.com/in/products/1879544>

Please be informed that the data shown in this PDF document is generated from our Online Catalog. Please find the complete data in the user documentation. Our General Terms of Use for Downloads are valid.



Module socket contact, is inserted into the plug housing MSTBC after crimping the conductor, for conductors from 0.2 to 0.5 mm²

Accessories - MSTBC-MT 0,2-0,5 BAND



1879544

<https://www.phoenixcontact.com/in/products/1879544>

Commercial Data

| | |
|--------------------------------------|---------------|
| Item number | 1879544 |
| Packing unit | 4,000 pc |
| Minimum order quantity | 4,000 pc |
| Sales Key | AAC |
| Product Key | AACCEG |
| GTIN | 4017918269074 |
| Weight per Piece (including packing) | 0.65 g |
| Weight per Piece (excluding packing) | 0.6 g |
| Customs tariff number | 85366990 |
| Country of origin | CZ |

Accessories - MSTBC-MT 0,2-0,5 BAND

1879544

<https://www.phoenixcontact.com/in/products/1879544>

Technical Data

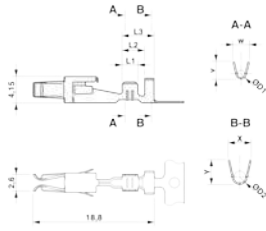
Product properties

| | |
|--------------|---------------|
| Product type | Crimp contact |
| Pitch | 0 mm |

Material specifications

| | |
|--------------------------|------------|
| Contact surface | Tin Sn |
| Contact material | CuFe |
| Contact surface material | Tin-plated |

Dimensions

| | |
|---------------------|---|
| Dimensional drawing |  |
| Pitch | 0 mm |

Packaging specifications

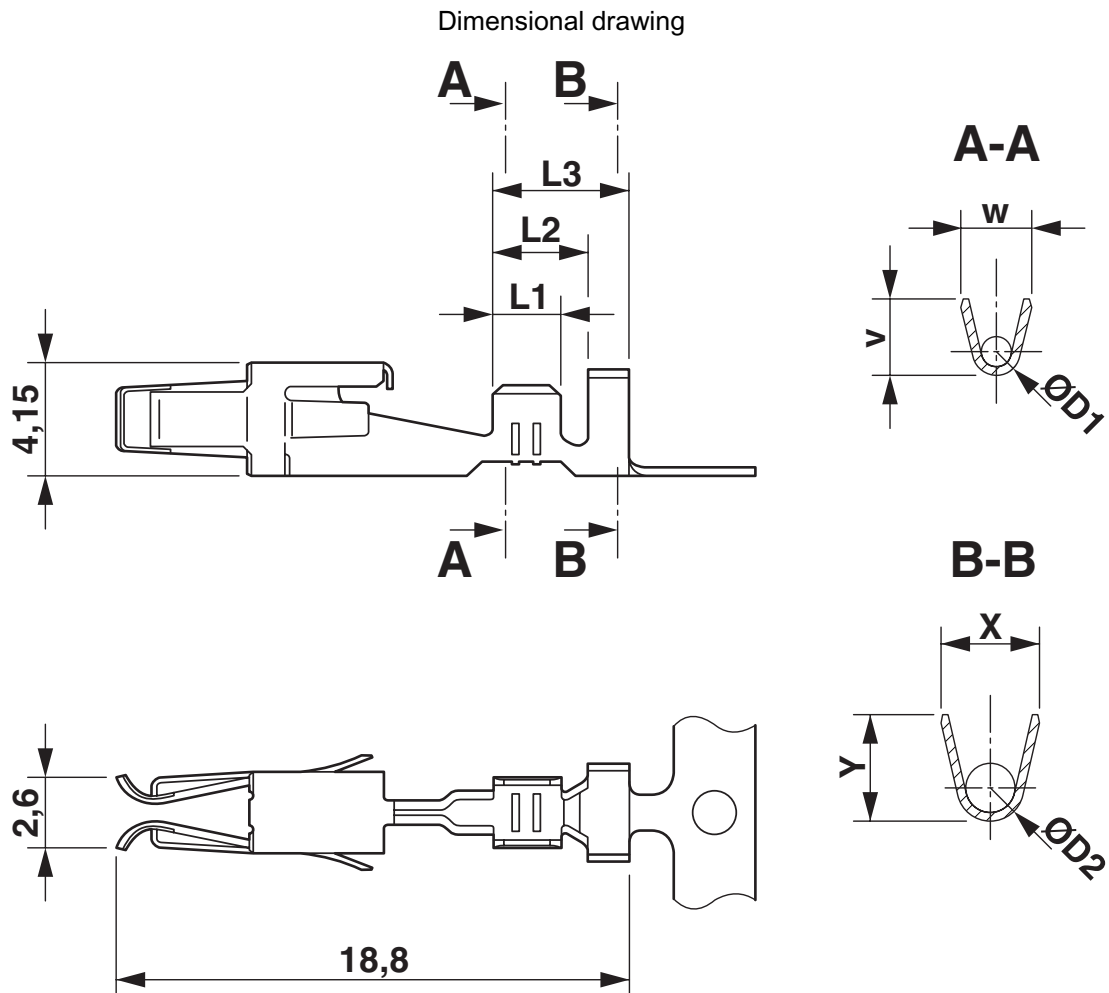
| | |
|-------------------|------|
| Type of packaging | Belt |
|-------------------|------|

Accessories - MSTBC-MT 0,2-0,5 BAND

1879544

<https://www.phoenixcontact.com/in/products/1879544>

Drawings



Accessories - MSTBC-MT 0,2-0,5 BAND



1879544

<https://www.phoenixcontact.com/in/products/1879544>

Approvals



EAC

Approval ID: B.01687

Accessories - MSTBC-MT 0,2-0,5 BAND



1879544

<https://www.phoenixcontact.com/in/products/1879544>

Classifications

ECLASS

| | |
|---------------|----------|
| ECLASS-9.0 | 27440204 |
| ECLASS-10.0.1 | 27440204 |
| ECLASS-11.0 | 27460403 |

ETIM

| | |
|----------|----------|
| ETIM 8.0 | EC000796 |
|----------|----------|

UNSPSC

| | |
|-------------|----------|
| UNSPSC 21.0 | 39121500 |
|-------------|----------|

Accessories - MSTBC-MT 0,2-0,5 BAND



1879544

<https://www.phoenixcontact.com/in/products/1879544>

Environmental Product Compliance

| | |
|------------|---|
| China RoHS | Environmentally friendly use period: unlimited = EFUP-e |
| | No hazardous substances above threshold values |

1879544

<https://www.phoenixcontact.com/in/products/1879544>

Accessories

PCB connector

PCB connector - MSTBC 2,5/ 2-ST-5,08 - 1808816

<https://www.phoenixcontact.com/in/products/1808816>



PCB connector, nominal cross section: 2.5 mm², color: green, nominal current: 12 A, rated voltage (III/2): 320 V, type of contact: Female connector, number of potentials: 2, number of rows: 1, number of positions: 2, number of connections: 2, product range: MSTBC 2,5/..-ST, pitch: 5.08 mm, connection method: Crimp connection, conductor/PCB connection direction: 0 °, locking clip: - Locking clip, plug-in system: COMBICON MSTB 2,5, locking: without, mounting: without, type of packaging: packed in cardboard, Corresponding female crimp contacts with current [A] and conductor cross section range [mm²] data: 10A/MSTBC-MT 0,5-1,0 (3190564); 10A/MSTBC-MT 0,5-1,0 BA (3190645); 12A/MSTBC-MT 1,5-2,5 (3190551); 12A/MSTBC-MT 1,5-2,5 BA (3190658). BA = Bandkontakte

PCB connector

PCB connector - MSTBC 2,5/ 2-STZ-5,08-R - 1809048

<https://www.phoenixcontact.com/in/products/1809048>



PCB connector, nominal cross section: 2.5 mm², color: green, nominal current: 12 A, rated voltage (III/2): 320 V, type of contact: Female connector, number of potentials: 2, number of rows: 1, number of positions: 2, number of connections: 2, product range: MSTBC 2,5/..-STZ-RF, pitch: 5.08 mm, connection method: Crimp connection, conductor/PCB connection direction: 0 °, locking clip: - without locking clip, plug-in system: COMBICON MSTB 2,5, locking: Snap-in locking, mounting: Self-locking flange, type of packaging: packed in cardboard, Corresponding female crimp contacts with current [A] and conductor cross section range [mm²] data: 10A/MSTBC-MT 0,5-1,0 (3190564); 10A/MSTBC-MT 0,5-1,0 BA (3190645); 12A/MSTBC-MT 1,5-2,5 (3190551); 12A/MSTBC-MT 1,5-2,5 BA (3190658). BA = Bandkontakte

1879544

<https://www.phoenixcontact.com/in/products/1879544>

PCB connector

PCB connector - MSTBC 2,5/ 2-STZ-5,08 - 1809501

<https://www.phoenixcontact.com/in/products/1809501>



PCB connector, nominal cross section: 2.5 mm², color: green, nominal current: 12 A, rated voltage (III/2): 320 V, type of contact: Female connector, number of potentials: 2, number of rows: 1, number of positions: 2, number of connections: 2, product range: MSTBC 2,5/..-STZ, pitch: 5.08 mm, connection method: Crimp connection, conductor/PCB connection direction: 0 °, locking clip: - Locking clip, plug-in system: COMBICON MSTB 2,5, locking: without, mounting: without, type of packaging: packed in cardboard, Corresponding female crimp contacts with current [A] and conductor cross section range [mm²] data: 10A/MSTBC-MT 0,5-1,0 (3190564); 10A/MSTBC-MT 0,5-1,0 BA (3190645); 12A/MSTBC-MT 1,5-2,5 (3190551); 12A/MSTBC-MT 1,5-2,5 BA (3190658). BA = Bandkontakte

PCB connector

PCB connector - MSTBC 2,5/ 2-STZF-5,08 - 1809734

<https://www.phoenixcontact.com/in/products/1809734>



PCB connector, nominal cross section: 2.5 mm², color: green, nominal current: 12 A, rated voltage (III/2): 320 V, type of contact: Female connector, number of potentials: 2, number of rows: 1, number of positions: 2, number of connections: 2, product range: MSTBC 2,5/..-STZF, pitch: 5.08 mm, connection method: Crimp connection, conductor/PCB connection direction: 0 °, locking clip: - without locking clip, plug-in system: COMBICON MSTB 2,5, locking: Screw locking, mounting: Screw flange, type of packaging: packed in cardboard, Corresponding female crimp contacts with current [A] and conductor cross section range [mm²] data: 10A/MSTBC-MT 0,5-1,0 (3190564); 10A/MSTBC-MT 0,5-1,0 BA (3190645); 12A/MSTBC-MT 1,5-2,5 (3190551); 12A/MSTBC-MT 1,5-2,5 BA (3190658). BA = Bandkontakte

Phoenix Contact 2022 © - all rights reserved
<https://www.phoenixcontact.com>

PHOENIX CONTACT (I) Pvt. Ltd.
A-58/2, Okhla Industrial Area, Phase - II, New Delhi-110 020

+91.1275.71420
info@phoenixcontact.co.in