

ST-OV3- 24DC/ 24DC/2


Order No.: 2905190

The illustration shows version ST-OV 3- 5 DC/24 DC/2

<http://eshop.phoenixcontact.de/phoenix/treeViewClick.do?UID=2905190>

Pluggable power optocoupler, with light indicator and protection circuits in the input and output circuits, input: 24 V DC, output: short-circuit resistant, 10-30 V DC/max. 2 A, can be plugged on basic termination blocks

Commercial data

GTIN (EAN)	 4 017918 079338
sales group	G101
Pack	10 pcs.
Customs tariff	85364190
Catalog page information	Page 91 (IF-2005)

Product notes

WEEE/RoHS-compliant since:
05/09/2006

<http://www.download.phoenixcontact.com>
Please note that the data given here has been taken from the online catalog. For comprehensive information and data, please refer to the user documentation. The General Terms and Conditions of Use apply to Internet downloads.

Technical data

Input data

Nominal input voltage U_N	24 V DC ± 20 %
Switching threshold "0" signal, voltage	≤ 6.9 V
Switching threshold "1" signal voltage	≥ 8.5 V
Typical input current at U_N	5 mA
Typical response time	17 μ s
Typical turn-off time	104 μ s
Status display	Yellow LED
Type of protection	Protection against polarity reversal
	Surge protection
Protective circuit/component	Polarity protection diode
Transmission frequency	1000 Hz

Output data

Output nominal voltage range	10 V DC ... 30 V DC
Limiting continuous current	2 A (see derating curve)
Peak offstate voltage	35 V DC (Collector-emitter reverse voltage)
Voltage drop at max. limiting continuous current	1.5 V
Output circuit	3-conductor, ground-referenced
Status display	LED red
Type of protection	Protection against polarity reversal
	Free running
Protective circuit/component	Polarity protection diode
	Damping diode

General data

Width	20.8 mm
Height	33 mm
Depth	66.5 mm
Test voltage input/output	2.5 kV AC
Ambient temperature (operation)	-20 °C ... 60 °C
Ambient temperature (storage/transport)	-20 °C ... 70 °C
Mounting position	Any
Standards/regulations	DIN VDE 0110

Certificates / Approvals

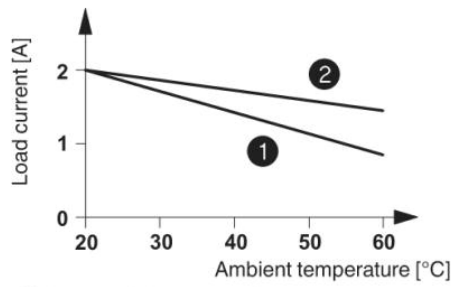


Certification

GOST

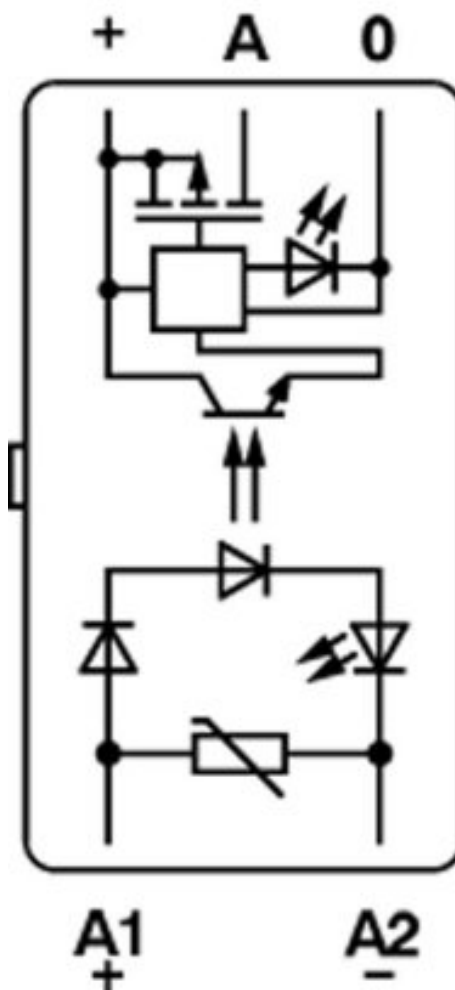
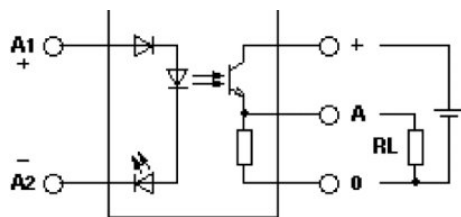
Diagrams/Drawings

Diagram



- ① In rows with zero spacing
- ② stand-alone device

Circuit diagram



Address

PHOENIX CONTACT Inc., USA
586 Fulling Mill Road
Middletown, PA 17057, USA
Phone (800) 888-7388
Fax (717) 944-1625
<http://www.phoenixcon.com>



© 2011 Phoenix Contact
Technical modifications reserved;