

Type 2 surge protection plug - VAL-MS 750/30-ST



2920256

<https://www.phoenixcontact.com/us/products/2920256>

Please be informed that the data shown in this PDF document is generated from our Online Catalog. Please find the complete data in the user documentation. Our General Terms of Use for Downloads are valid.



Type 2 surge protection plug with a varistor for VAL-MS base element, thermal monitoring, visual fault warning. Design: 750 V AC

Your advantages

- Quality proven millions of times over in the widest range of applications
- Rapid installation with bridges, thanks to industry-standard overall width of 1 HP
- Easy testing and insulation measurement, thanks to pluggable protection modules
- Can be used in high-performance industrial networks and wind turbine generators (stator) due to the high nominal voltage

Commercial Data

Item number	2920256
Packing unit	1 pc
Minimum order quantity	1 pc
Sales Key	C06
Product Key	CL1321
Catalog Page	Page 65 (C-4-2019)
GTIN	4046356157308
Weight per Piece (including packing)	64.67 g
Weight per Piece (excluding packing)	62 g
Customs tariff number	85363030
Country of origin	DE

Type 2 surge protection plug - VAL-MS 750/30-ST



2920256

<https://www.phoenixcontact.com/us/products/2920256>

Technical Data

Notes

General

Note	For use in all low-voltage systems between L-PEN. Only for use in IT systems between L-PE if the bodies of the equipment in the low-voltage system are connected to the grounding system of the transformer station. (common grounding of the HV transformer station and the bodies of the LV consumer's installation. $R_E = R_A$ according to IEC 60364-4-442/VDE 0100-442 Figure 44D/example a)
------	---

Product properties

IEC test classification	II
	T2
EN type	T2
IEC power supply system	TN
	IT
Type	Male
Distance between live and grounded parts	8 mm
Product type	Replacement plug
Number of positions	1
Surge protection fault message	optical

Insulation characteristics

Overvoltage category	III
Pollution degree	2

Electrical properties

Nominal frequency f_N	50 Hz (60 Hz)
-------------------------	---------------

Connection data

Connection method	pluggable
-------------------	-----------

Dimensions

Dimensional drawing	
Width	17.5 mm
Height	52.4 mm
Depth	55.3 mm
Horizontal pitch	1 Div.

Type 2 surge protection plug - VAL-MS 750/30-ST



2920256

<https://www.phoenixcontact.com/us/products/2920256>

Material specifications

Color	jet black RAL 9005
Flammability rating according to UL 94	V-0
CTI value of material	600
Insulating material	PA 6.6
Material group	I
Housing material	PA 6.6

Protective circuit

Mode of protection	L-PE
	L-PEN
Direction of action	1L-N/PE
Nominal voltage U_N	554/960 V AC (TN)
	690 V AC (IT)
Nominal frequency f_N	50 Hz (60 Hz)
Maximum continuous voltage U_C	760 V AC
Residual current I_{PE}	≤ 0.5 mA
Standby power consumption P_C	≤ 400 mVA
Nominal discharge current I_n (8/20) μ s	15 kA
Maximum discharge current I_{max} (8/20) μ s	30 kA
Short-circuit current rating I_{SCCR}	25 kA
Voltage protection level U_p	≤ 2.9 kV
Residual voltage U_{res}	≤ 2.9 kV (at I_n)
	≤ 2.7 kV (at 10 kA)
	≤ 2.5 kV (at 5 kA)
	≤ 2.3 kV (at 3 kA)
TOV behavior at U_T	1000 V AC (5 s / withstand mode)
	1056 V AC (120 min / safe failure mode)
Response time t_A	≤ 25 ns
Max. backup fuse with branch wiring	100 A (gG)

Environmental and real-life conditions

Ambient conditions

Degree of protection	IP20
Ambient temperature (operation)	-40 °C ... 80 °C
Ambient temperature (storage/transport)	-40 °C ... 80 °C
Altitude	≤ 2000 m (amsl (above mean sea level))
Permissible humidity (operation)	5 % ... 95 %
Shock (operation)	25g (Half-sine / 11 ms / 3x \pm X, \pm Y, \pm Z)
Vibration (operation)	5g (10 ... 500 Hz / 2.5 h / X, Y, Z)

Approval data

Type 2 surge protection plug - VAL-MS 750/30-ST



2920256

<https://www.phoenixcontact.com/us/products/2920256>

UL specifications

Maximum continuous operating voltage MCOV (L-N)	750 V AC
Nominal discharge current I_n (L-N)	10 kA
Mode of protection	L-N
Nominal voltage	690 V AC
Power distribution system	Single phase
Nominal frequency	50/60 Hz
Measured limiting voltage MLV (L-N)	2700 V
SPD Type	4CA

Standards and regulations

Standards/specifications	IEC 61643-11
Standards/specifications	EN 61643-11

Mounting

Mounting type	on base element
---------------	-----------------

Type 2 surge protection plug - VAL-MS 750/30-ST

2920256

<https://www.phoenixcontact.com/us/products/2920256>

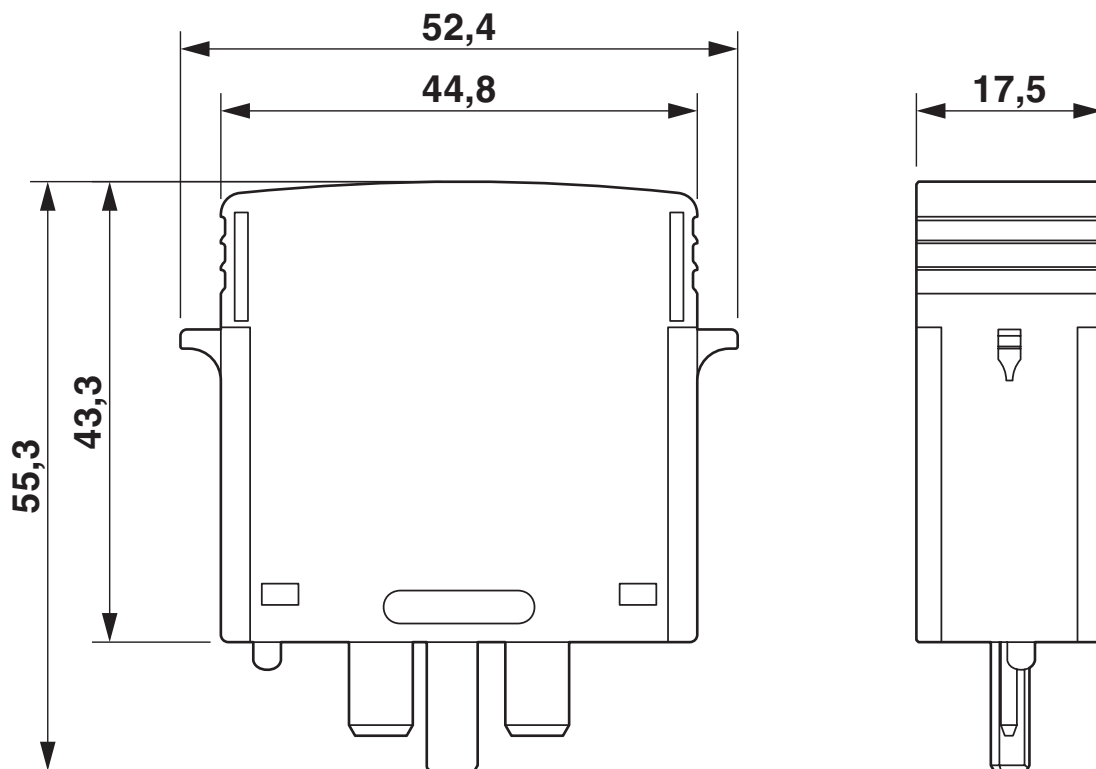


Drawings

Circuit diagram



Dimensional drawing



Type 2 surge protection plug - VAL-MS 750/30-ST



2920256

<https://www.phoenixcontact.com/us/products/2920256>

Approvals



cUL Recognized
Approval ID: FILE E 330181



UL Recognized
Approval ID: FILE E 330181



IECEE CB Scheme
Approval ID: AT 2905/M1



EAC
Approval ID: RU C-DE.*09.B.00169

CCA

Approval ID: NTR-AT 1947-A

Nominal Voltage U_N

Nominal Current I_N

Cross Section AWG

Cross Section mm^2

-

-



KEMA-KEUR
Approval ID: 71-113273 REV.1



DNV GL
Approval ID: TAE000041M

Nominal Voltage U_N

Nominal Current I_N

Cross Section AWG

Cross Section mm^2

-

-



CSA
Approval ID: 13631



ÖVE
Approval ID: 18583-001-16

cULus Recognized

Type 2 surge protection plug - VAL-MS 750/30-ST



2920256

<https://www.phoenixcontact.com/us/products/2920256>

Classifications

ECLASS

ECLASS-9.0	27130890
ECLASS-10.0.1	27130890
ECLASS-11.0	27130890

ETIM

ETIM 8.0	EC002496
----------	----------

UNSPSC

UNSPSC 21.0	39121600
-------------	----------

Type 2 surge protection plug - VAL-MS 750/30-ST



2920256

<https://www.phoenixcontact.com/us/products/2920256>

Environmental Product Compliance

China RoHS	Environmentally friendly use period: unlimited = EFUP-e
	No hazardous substances above threshold values

Type 2 surge protection plug - VAL-MS 750/30-ST

2920256

<https://www.phoenixcontact.com/us/products/2920256>

Accessories

Marker for terminal blocks

Marker for terminal blocks - ZBN 18,LGS:ERDE - 2749589

<https://www.phoenixcontact.com/us/products/2749589>



Marker for terminal blocks, Strip, white, labeled, horizontal: Grounding symbol, mounting type: snapped, for terminal block width: 18 mm, lettering field size: 18 x 5 mm, Number of individual labels: 5

Marker for terminal blocks

Marker for terminal blocks - ZBN 18,LGS:L1-N,ERDE - 2749576

<https://www.phoenixcontact.com/us/products/2749576>



Marker for terminal blocks, Strip, white, labeled, horizontal: L1, L2, L3, N, GND, mounting type: snapped, for terminal block width: 18 mm, lettering field size: 18 x 5 mm, Number of individual labels: 5

Type 2 surge protection plug - VAL-MS 750/30-ST



2920256

<https://www.phoenixcontact.com/us/products/2920256>

Zack marker strip

Zack marker strip - ZBN 18:UNBEDRUCKT - 2809128

<https://www.phoenixcontact.com/us/products/2809128>



Zack marker strip, Strip, white, unlabeled, can be labeled with: CMS-P1-PLOTTER, PLOTMARK, mounting type: snapped, for terminal block width: 18 mm, lettering field size: 18 x 5 mm, Number of individual labels: 5

Marker pen

Marker pen - B-STIFT - 1051993

<https://www.phoenixcontact.com/us/products/1051993>



Marker pen, for manual labeling of unprinted Zack strips, smear-proof and waterproof, line thickness 0.5 mm

Phoenix Contact 2022 © - all rights reserved
<https://www.phoenixcontact.com>

Phoenix Contact USA
586 Fulling Mill Road
Middletown, PA 17057, United States
(+717) 944-1300
info@phoenixcon.com