

Spring cage ground terminal block - ST 4/ 2P-PE



3042748

<https://www.phoenixcontact.com/de/produkte/3042748>

Please be informed that the data shown in this PDF document is generated from our Online Catalog. Please find the complete data in the user documentation. Our General Terms of Use for Downloads are valid.



Spring cage ground terminal block, number of connections: 2, connection method: Plug-in connection, 1st level connection left, cross section: $0.08 \text{ mm}^2 - 6 \text{ mm}^2$, mounting type: NS 35/7,5, NS 35/15, color: green-yellow

Your advantages

- Same shape and pitch as the PIN/PIN versions of the COMBI series
- Contact is made free from mechanical and electrical errors by simply snapping onto the DIN rail
- ST ...-PE meet all the requirements of standard IEC 60947-7-2
- Tested for railway applications

Commercial Data

Item number	3042748
Packing unit	50 pc
Minimum order quantity	1 pc
Sales Key	A1 - Reihenklemmen
Product Key	BE2142
Catalog Page	Page 325 (C-1-2019)
GTIN	4046356055314
Weight per Piece (including packing)	10,3 g
Weight per Piece (excluding packing)	10,3 g
Customs tariff number	85369010
Country of origin	PL

Spring cage ground terminal block - ST 4/ 2P-PE

3042748

<https://www.phoenixcontact.com/de/produkte/3042748>

Technical Data

Product properties

Product type	Ground terminal block
Area of application	Railway industry
	Machine building
	Plant engineering
Number of connections	2
Number of rows	1

Insulation characteristics

Overvoltage category	III
Degree of pollution	3

Electrical properties

Rated surge voltage	6 kV
Maximum power dissipation for nominal condition	1.02 W

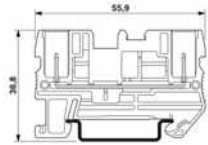
Connection data

Grounding foot	Yes
Number of connections per level	2
Nominal cross section	4 mm ²

1st level connection left

Note	Please observe the current carrying capacity of the DIN rails.
Connection in acc. with standard	IEC 61984
Conductor cross section solid	0.08 mm ² ... 6 mm ²
Cross section AWG	28 ... 10 (converted acc. to IEC)
Conductor cross section flexible	0.08 mm ² ... 4 mm ²
Conductor cross section, flexible [AWG]	28 ... 12 (converted acc. to IEC)
Flexible conductor cross section flexible (ferrule, w/o plastic sleeve)	0.14 mm ² ... 4 mm ²
Flexible conductor cross section (ferrule with plastic sleeve)	0.14 mm ² ... 4 mm ²

Dimensions

Dimensional drawing	
Width	6.2 mm
End cover width	2.2 mm
Height NS 35/15	44 mm
Height NS 35/7,5	36.5 mm

Spring cage ground terminal block - ST 4/ 2P-PE



3042748

<https://www.phoenixcontact.com/de/produkte/3042748>

Length	55.9 mm
--------	---------

Material specifications

Color	green-yellow
Flammability rating according to UL 94	V0
Insulating material group	I
Insulating material	PA
Static insulating material application in cold	-60 °C
Temperature index of insulation material (DIN EN 60216-1 (VDE 0304-21))	130 °C
Relative insulation material temperature index (Elec., UL 746 B)	130 °C
Fire protection for rail vehicles (DIN EN 45545-2) R22	HL 1 - HL 3
Fire protection for rail vehicles (DIN EN 45545-2) R23	HL 1 - HL 3
Fire protection for rail vehicles (DIN EN 45545-2) R24	HL 1 - HL 3
Fire protection for rail vehicles (DIN EN 45545-2) R26	HL 1 - HL 3
Calorimetric heat release NFPA 130 (ASTM E 1354)	28 MJ/kg
Surface flammability NFPA 130 (ASTM E 162)	passed
Specific optical density of smoke NFPA 130 (ASTM E 662)	passed
Smoke gas toxicity NFPA 130 (SMP 800C)	passed

Mechanical properties

Mechanical data

Open side panel	Yes
-----------------	-----

Environmental and real-life conditions

Ambient conditions

Ambient temperature (operation)	-60 °C ... 105 °C (max. short-term operating temperature RTI Elec.)
Ambient temperature (storage/transport)	-25 °C ... 60 °C (for a short time, not exceeding 24 h, -60 °C to +70 °C)
Ambient temperature (assembly)	-5 °C ... 70 °C
Ambient temperature (actuation)	-5 °C ... 70 °C
Permissible humidity (storage/transport)	30 % ... 70 %

Standards and regulations

Connection in acc. with standard	IEC 61984
----------------------------------	-----------

Mounting

Mounting type	NS 35/7,5
	NS 35/15

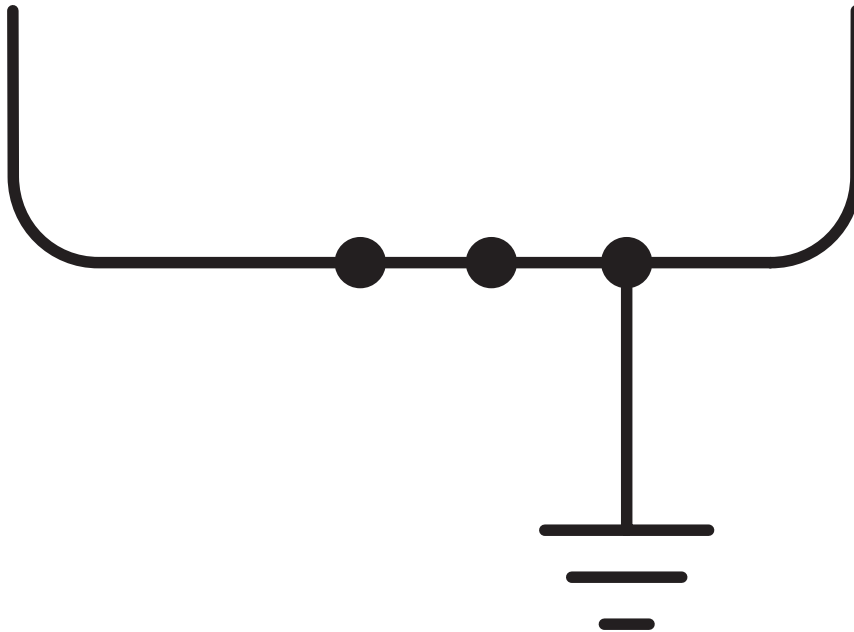
Spring cage ground terminal block - ST 4/ 2P-PE

3042748

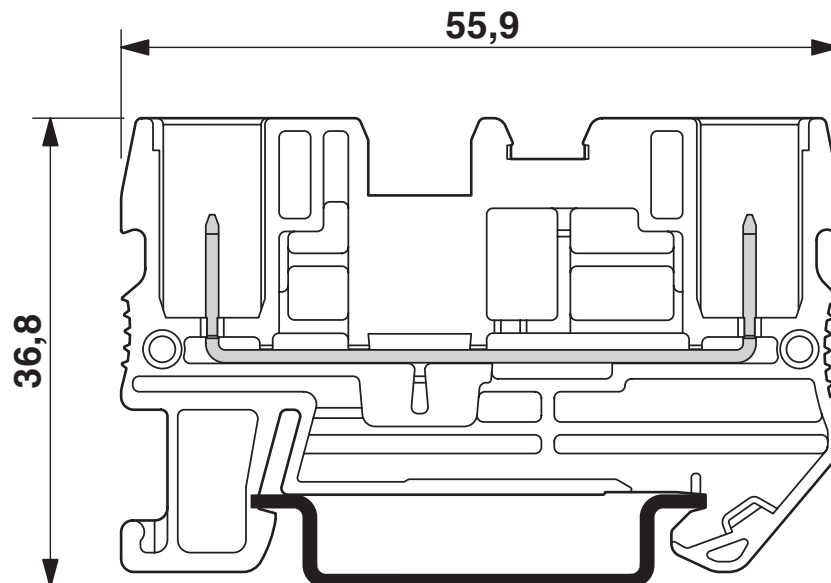
<https://www.phoenixcontact.com/de/produkte/3042748>

Drawings

Circuit diagram



Dimensional drawing

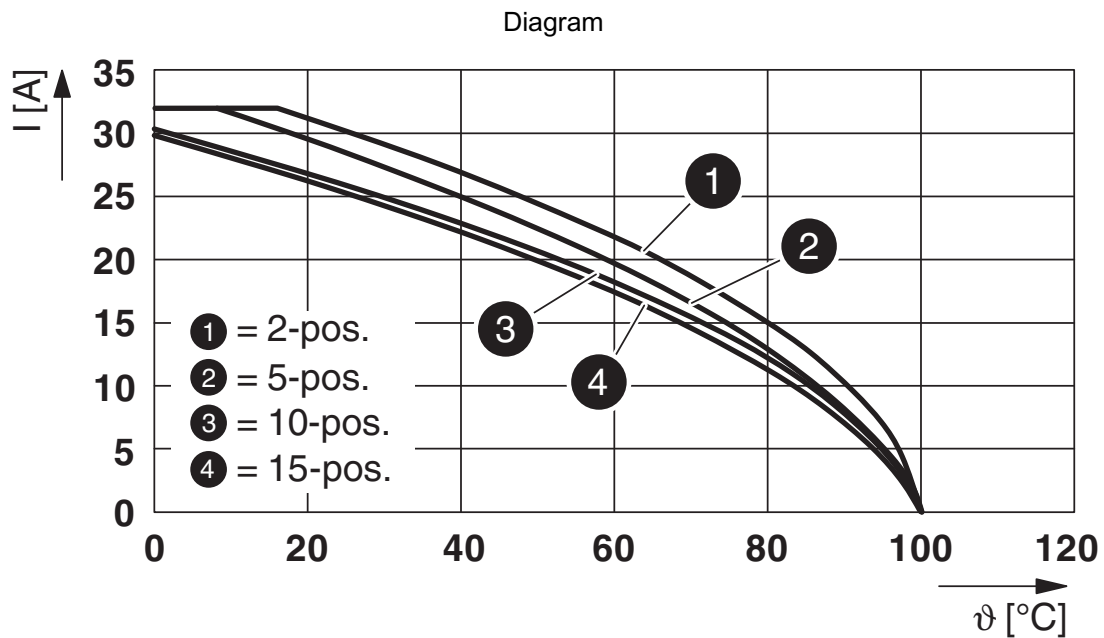


The figure shows the terminal with the plug version SP 4/...

Spring cage ground terminal block - ST 4/ 2P-PE

3042748

<https://www.phoenixcontact.com/de/produkte/3042748>



Derating curve for spring-cage terminals ST 4/1P.. and ST 4/2P.. with all plug versions SP 4/... . The derating curves are determined by multiplying the values of the base curves by the factor 0.8.

Spring cage ground terminal block - ST 4/ 2P-PE




3042748

<https://www.phoenixcontact.com/de/produkte/3042748>

Approvals

 IECEE CB Scheme Approval ID: DE1-62736/B1/B2				
	Nominal Voltage U_N	Nominal Current I_N	Cross Section AWG	Cross Section mm^2
			-	-

 EAC Approval ID: RU C-DE.BL08.B.00644				
---	--	--	--	--

 VDE Zeichengenehmigung Approval ID: 40019518				
	Nominal Voltage U_N	Nominal Current I_N	Cross Section AWG	Cross Section mm^2
	800 V		-	-

Spring cage ground terminal block - ST 4/ 2P-PE



3042748

<https://www.phoenixcontact.com/de/produkte/3042748>

Classifications

ECLASS

ECLASS-9.0	27141141
ECLASS-10.0.1	27141141
ECLASS-11.0	27141141

ETIM

ETIM 8.0	EC000901
----------	----------

UNSPSC

UNSPSC 21.0	39121400
-------------	----------

Spring cage ground terminal block - ST 4/ 2P-PE



3042748

<https://www.phoenixcontact.com/de/produkte/3042748>

Environmental Product Compliance

China RoHS	Environmentally friendly use period: unlimited = EFUP-e
	No hazardous substances above threshold values

Phoenix Contact 2023 © - all rights reserved
<https://www.phoenixcontact.com>

PHOENIX CONTACT Deutschland GmbH
Flachmarktstraße 8
D-32825 Blomberg
+49 52 35/3-1 20 00
info@phoenixcontact.de