

Connector - C-SCF 1,5/4,8X0,8



3240155

<https://www.phoenixcontact.com/us/products/3240155>

Please be informed that the data shown in this PDF document is generated from our Online Catalog. Please find the complete data in the user documentation. Our General Terms of Use for Downloads are valid.



Slip-on sleeve, non-insulated, 0.75 ... 1.5 mm², 4.8 x 0.8

Commercial Data

Item number	3240155
Packing unit	1 pc
Minimum order quantity	100 pc
Sales Key	B16
Product Key	BH3452
Catalog Page	Page 498 (C-3-2019)
GTIN	4046356453721
Weight per Piece (including packing)	0.458 g
Weight per Piece (excluding packing)	0.424 g
Customs tariff number	85366990
Country of origin	DE

Connector - C-SCF 1,5/4,8X0,8

3240155

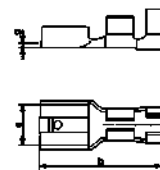
<https://www.phoenixcontact.com/us/products/3240155>

Technical Data

Product properties

Product type	Connector
--------------	-----------

Dimensions

Dimensional drawing	
Width	4.8 mm
Length	15.6 mm
Maximum stripping length	7 mm
Min. material thickness	0.4 mm

Material specifications

Color	silver
Material	Brass
Coating	tin-plated
Insulating material	nicht zutreffend
Components	halogen-free

Environmental and real-life conditions

Ambient conditions

Ambient temperature (operation)	110 °C
---------------------------------	--------

Connector - C-SCF 1,5/4,8X0,8

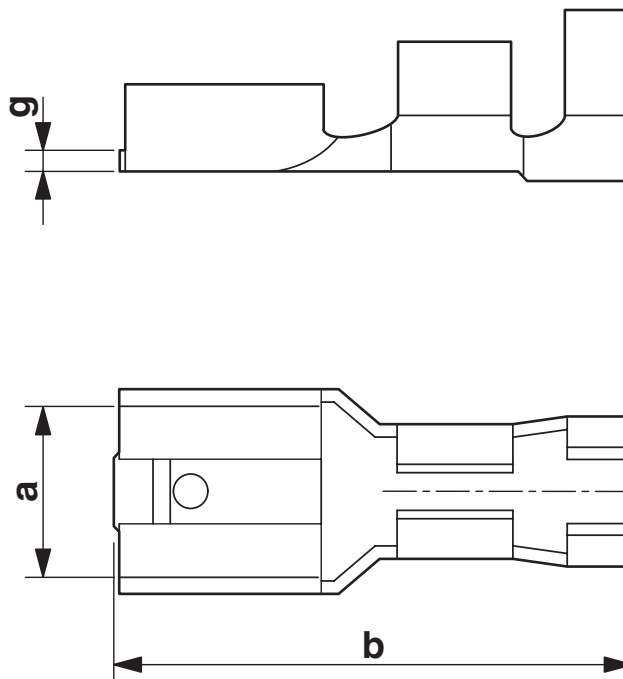
3240155

<https://www.phoenixcontact.com/us/products/3240155>



Drawings

Dimensional drawing



Connector - C-SCF 1,5/4,8X0,8



3240155

<https://www.phoenixcontact.com/us/products/3240155>

Classifications

ECLASS

ECLASS-9.0	27400212
ECLASS-10.0.1	27400212
ECLASS-11.0	27400212

ETIM

ETIM 8.0	EC001059
----------	----------

UNSPSC

UNSPSC 21.0	27121700
-------------	----------

Connector - C-SCF 1,5/4,8X0,8

3240155

<https://www.phoenixcontact.com/us/products/3240155>



Environmental Product Compliance

China RoHS	Environmentally friendly use period: unlimited = EFUP-e
	No hazardous substances above threshold values

Connector - C-SCF 1,5/4,8X0,8

3240155

<https://www.phoenixcontact.com/us/products/3240155>

Accessories

Crimping pliers

Crimping pliers - CRIMPFOX-SC 1,5 - 1212048

<https://www.phoenixcontact.com/us/products/1212048>



Crimping pliers, for non-insulated slip-on sleeves 2.8 and 4.8 mm, 0.1 - 1.5 mm², B crimp

Crimping pliers

Crimping pliers - CRIMPFOX-SC 1,5-M - 1212725

<https://www.phoenixcontact.com/us/products/1212725>



Crimping pliers, for non-insulated slip-on sleeves 2.8 and 4.8 mm, 0.1 - 1.5 mm², B crimp

Connector - C-SCF 1,5/4,8X0,8

3240155

<https://www.phoenixcontact.com/us/products/3240155>

Crimping pliers

Crimping pliers - CRIMPFOX-SC 6 - 1212050

<https://www.phoenixcontact.com/us/products/1212050>



Crimping pliers, for uninsulated slip-on sleeves 2.8, 4.8, and 6.3 mm, 0.5 - 6 mm², B crimp

Crimp insert

Crimp insert - CF 500/DIE SC 1,5 - 1212241

<https://www.phoenixcontact.com/us/products/1212241>



Die for crimping machine CF 500, for slip-on sleeves and flat connectors (C-SCF... and C-SCM...) 0.1 ... 1.5 mm²

Connector - C-SCF 1,5/4,8X0,8

3240155

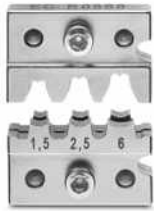
<https://www.phoenixcontact.com/us/products/3240155>



Crimp insert

Crimp insert - CF 500/DIE SC 6 - 1212242

<https://www.phoenixcontact.com/us/products/1212242>



Die for crimping machine CF 500, for slip-on sleeves and flat connectors (C-SCF... and C-SCM...) 0.5 ... 6 mm²

Insulating sleeve

Insulating sleeve - PT/FS 4,8 - 1670497

<https://www.phoenixcontact.com/us/products/1670497>



Insulating sleeve, as touch protection, for 4.8 mm slip-on sleeves, slide onto the conductor before

Phoenix Contact 2022 © - all rights reserved
<https://www.phoenixcontact.com>

Phoenix Contact USA
586 Fulling Mill Road
Middletown, PA 17057, United States
(+717) 944-1300
info@phoenixcon.com