

Ferrule - AI 2,5-8 BU-B 1500



3240667

<https://www.phoenixcontact.com/pc/products/3240667>

Please be informed that the data shown in this PDF document is generated from our Online Catalog. Please find the complete data in the user documentation. Our General Terms of Use for Downloads are valid.

Ferrules, 2.5 mm², taped, sleeve length: 8 mm, with plastic collar, galvanically tin-plated, color: blue, color range according to DIN 46228-4, CSA-certified



Commercial Data

Item number	3240667
Packing unit	1,500 pc
Minimum order quantity	1,500 pc
Product Key	BH3414
Catalog Page	Page 487 (C-3-2019)
GTIN	4046356625463
Weight per Piece (including packing)	0.208 g
Weight per Piece (excluding packing)	0.173 g
Customs tariff number	85369010
Country of origin	DE

Ferrule - AI 2,5-8 BU-B 1500

3240667

<https://www.phoenixcontact.com/pc/products/3240667>

Technical Data

Product properties

Product type	Ferrule
Conductor category	stranded conductors, class 2, 5, 6 / B, C, K, M

Connection data

Conductor connection

Conductor cross section flexible max.	2.5 mm ²
Conductor cross section AWG max.	14
Stripping length	11 mm

Dimensions

Dimensional drawing	
Length	14 mm
Sleeve length	8 mm
Maximum stripping length	11 mm
Ferrule diameter	2.3 mm
Sleeve wall thickness	0.15 mm
Insulating collar thickness	0.3 mm
Inner dimensions of the insulating collar	4.2 mm

Material specifications

Color	blue
Material	CU-DHP
Flammability rating according to UL 94	HB
Coating	tin-plated (galvanic)
Components	free from silicone and halogen

Mechanical properties

Technical data

Sleeve length	8 mm
---------------	------

Environmental and real-life conditions

Ambient conditions

Permanent temperature	105 °C (-40 °C no load / 0 °C dynamic load)
Short-term temperature	120 °C

Standards and regulations

Design according to standard	DIN 46228-4, UL 486F-E
------------------------------	------------------------

Ferrule - Al 2,5-8 BU-B 1500

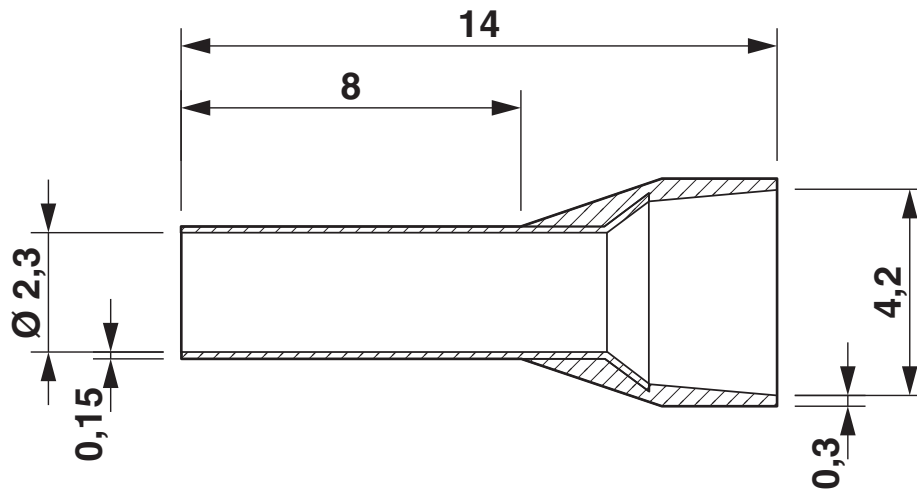
3240667

<https://www.phoenixcontact.com/pc/products/3240667>



Drawings

Dimensional drawing




Ferrule - AI 2,5-8 BU-B 1500



3240667

<https://www.phoenixcontact.com/pc/products/3240667>

Approvals

 UL Listed Approval ID: E488001				
	Nominal Voltage U_N	Nominal Current I_N	Cross Section AWG	Cross Section mm^2
			-	-

 cUL Listed Approval ID: E488001				
	Nominal Voltage U_N	Nominal Current I_N	Cross Section AWG	Cross Section mm^2
			-	-

cULus Listed				
---------------------	--	--	--	--

Ferrule - AI 2,5-8 BU-B 1500



3240667

<https://www.phoenixcontact.com/pc/products/3240667>

Classifications

ECLASS

ECLASS-9.0	27400201
ECLASS-10.0.1	27400201
ECLASS-11.0	27400201

ETIM

ETIM 8.0	EC000005
----------	----------

UNSPSC

UNSPSC 21.0	27121700
-------------	----------

Ferrule - AI 2,5-8 BU-B 1500



3240667

<https://www.phoenixcontact.com/pc/products/3240667>

Environmental Product Compliance

China RoHS	Environmentally friendly use period: unlimited = EFUP-e
	No hazardous substances above threshold values

Phoenix Contact 2023 © - all rights reserved
<https://www.phoenixcontact.com>

PHOENIX CONTACT GmbH & Co. KG
Flachmarktstraße 8
D-32825 Blomberg
+49 (0) 5235-3 00
info@phoenixcontact.com