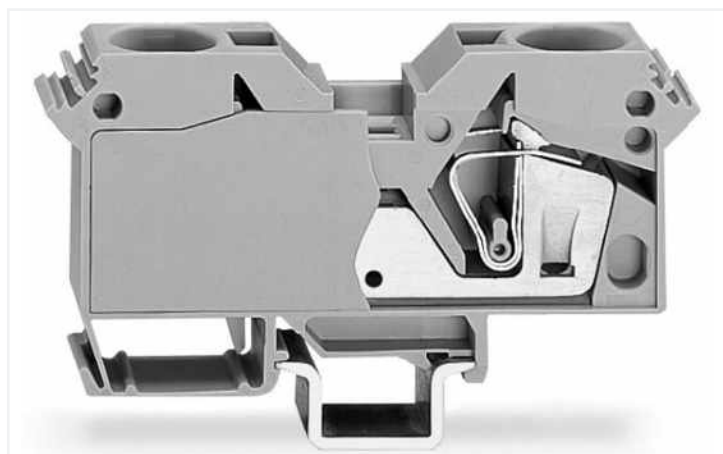


## Data Sheet | Item Number: 285-604

2-conductor through terminal block; 35 mm<sup>2</sup>; lateral marker slots; only for DIN 35 x 15 rail; CAGE CLAMP®; 35,00 mm<sup>2</sup>; blue

<https://www.wago.com/285-604>



Color: ■ blue

Similar to illustration

### Electrical data

#### Ratings per IEC/EN

Ratings per	IEC/EN 60947-7-1
Nominal voltage (III/3)	800 V
Rated impulse voltage (III/3)	8 kV
Rated current	125 A
Legend (ratings)	(III / 3) Δ Overvoltage category III / Pollution degree 3

#### Power loss

Power loss, per pole (potential)	4.0625 W
Rated current $I_N$ for specified power loss	125 A
Resistance value for specified, current-dependent power loss	0.00026 Ω

### Connection data

Connection points	2
Total number of potentials	1
Number of levels	1

#### Connection 1

Connection technology	CAGE CLAMP®
Actuation type	Operating tool
Connectable conductor materials	Copper
Solid conductor	6 ... 35 mm <sup>2</sup> / 8 ... 2 AWG
Strip length	23 mm / 0.91 inches
Wiring direction	Front-entry wiring

### Physical data

Width	16 mm / 0.63 inches
Height	115.5 mm / 4.547 inches
Depth from upper-edge of DIN-rail	52.5 mm / 2.067 inches

## Mechanical Data

Design	horizontal type
Mounting type	DIN-35 rail
Mounting (note)	only suitable for DIN 35 x 15 rail
Marking level	Side marking

## Material Data

Note (material data)	<a href="#">Information on material specifications can be found here</a>
Color	blue
Material group	I
Insulation material	Polyamide (PA66)
Flammability class per UL94	V0
Fire load	1.611 MJ
Weight	131.3 g

## Environmental requirements

Processing temperature	-35 ... +85 °C
Continuous operating temperature	-60 ... +105 °C

## Commercial data

eCl@ss 10.0	27-14-11-20
eCl@ss 9.0	27-14-11-20
ETIM 8.0	EC000897
ETIM 7.0	EC000897
PU (SPU)	15 pcs
Packaging type	Box
Country of origin	DE
GTIN	4045454115357
Customs tariff number	85369010000

## 1 Compatible Products

### 1.1 Required Accessories

#### 1.1.1 End plate

##### 1.1.1.1 End plate



##### [Item No.: 285-337](#)

Separator plate; 2 mm thick; oversized; gray



##### [Item No.: 285-327](#)

Separator plate; 2 mm thick; oversized; orange