

## RCM370524

**Weidmüller Interface GmbH & Co. KG**

Klingenbergstraße 26

D-32758 Detmold

Germany

www.weidmueller.com

### Product image



Similar to illustration

Individual relays within the RIDERSERIES RCM

- 3 CO contacts
- Optional AC or DC coils
- With test button

### General ordering data

|            |  |
|------------|--|
| Version    | RIDERSERIES RCM, Relay, Number of contacts: 3, CO contact AgNi, Rated control voltage: 24 V AC, Continuous current: 10 A, Plug-in connection, Test button available: Yes |
| Order No.  | <a href="#">8690030000</a>   |
| Type       | RCM370524  |
| GTIN (EAN) | 4032248360703  |
| Qty.       | 10 Stück   |

Erstellungs-Datum May 31, 2022 4:54:00 PM CEST

Katalogstand 20.05.2022 / Technische Änderungen vorbehalten

## RCM370524

**Weidmüller Interface GmbH & Co. KG**  
 Klingenbergstraße 26  
 D-32758 Detmold  
 Germany

www.weidmueller.com

## Technische Daten

### Dimensions and weights

|            |          |                 |            |
|------------|----------|-----------------|------------|
| Depth      | 29 mm    | Depth (inches)  | 1.142 inch |
| Height     | 28 mm    | Height (inches) | 1.102 inch |
| Width      | 22.5 mm  | Width (inches)  | 0.886 inch |
| Net weight | 30.511 g |                 |            |

### Temperatures

|                     |  |                       |                |
|---------------------|--|-----------------------|----------------|
| Storage temperature | -40 °C...85 °C                                 | Operating temperature | -40 °C...70 °C |
| Humidity            | 40 °C / 93 % rel. humidity,<br>no condensation |                       |                |

### Rated data UL

|                         |         |
|-------------------------|---------|
| Certificate No. (cURus) | E224238 |
|-------------------------|---------|

### Control side

|                       |              |                                |                   |
|-----------------------|--------------|--------------------------------|-------------------|
| Rated control voltage | 24 V AC      | Rated current AC               | 41.7 mA           |
| Power rating          | 1000 mVA     | Pull-in/drop-out voltage, typ. | 19.2 V / 7.2 V AC |
| Coil resistance       | 192 Ω ± 10 % | Coil tolerance                 | 10 %              |

### Load side

|   |   |   |  |
|---|---|---|--|
| Rated switching voltage                 | 240 V AC                                | Continuous current                      | 10 A   |
| Max. switching frequency at rated load  | 0.1 Hz                                  | Inrush current                          | 20 A / 20 ms   |
| AC switching capacity (resistive), max. | 2500 VA                                 | DC switching capacity (resistive), max. | 240 W @ 24 V   |
| Switch-on delay                         | ≤ 15 ms                                 | Switch-off delay                        | ≤ 10 ms  |
| Contact type                            | 3 CO contact (AgNi)                     | Mechanical service life                 | AC coil 20 x 10 <sup>6</sup> switching cycles, DC coil 30 x 10 <sup>6</sup> switching cycles |
| Min. switching power                    | 1 mA @ 24 V, 10 mA @ 12 V, 100 mA @ 5 V |   |  |

### General data

|                                      |     |                        |             |
|--------------------------------------|-----|------------------------|-------------|
| Test button available                | Yes | Version of test button | lockable    |
| Mechanical switch position indicator | Yes | Colour                 | Transparent |
| UL 94 flammability rating            | V-2 |                        |             |

### Insulation coordination

|   |                                |  |                                |
|---|--------------------------------|--|--------------------------------|
| Rated voltage   | 250 V                          | Pollution severity                               | 2                              |
| Surge voltage category  | III                            | Insulating material group                        | IIIa                           |
| Clearance and creepage distances for control side - load side | ≥ 4 mm                         | Dielectric strength for control side - load side | 2.5 kV <sub>eff</sub> / 1 Min. |
| Dielectric strength of neighbouring contacts                  | 2.5 kV <sub>eff</sub> / 1 Min. | Dielectric strength of open contact              | 1.2 kV <sub>eff</sub> / 1 min. |
| Impulse withstand voltage                                     | 5 kV (1.2/50 μs)               | Protection degree                                | IP20                           |

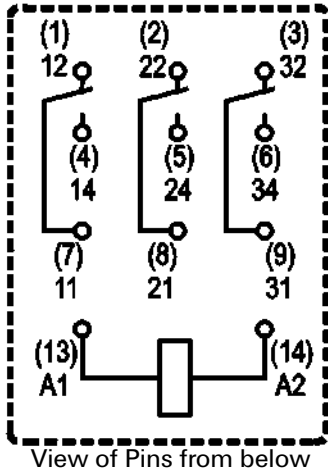
### Further details of approvals / standards

|                       |                    |                         |                |
|-----------------------|--------------------|-------------------------|----------------|
| Standards             | IEC 61810-1, UL508 | Certificate No. (CSA)   | 249409-2426937 |
| Certificate No. (VDE) | 40011762           | Certificate No. (cURus) | E224238        |

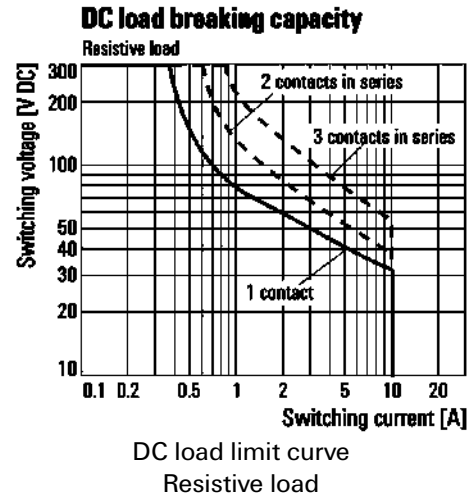


Zeichnungen

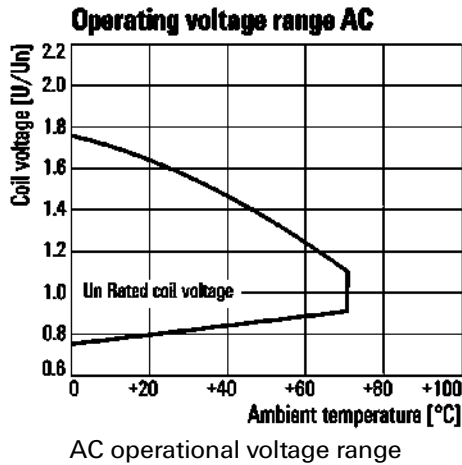
Wiring diagram



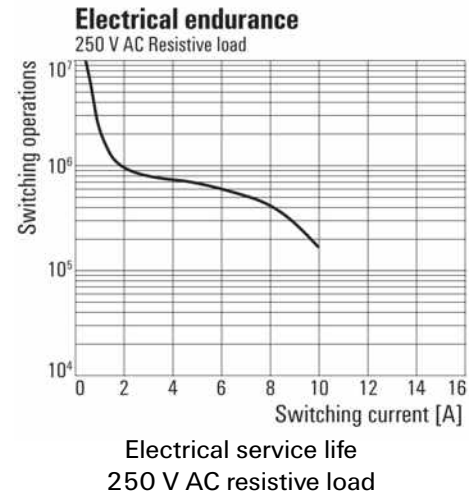
Graph



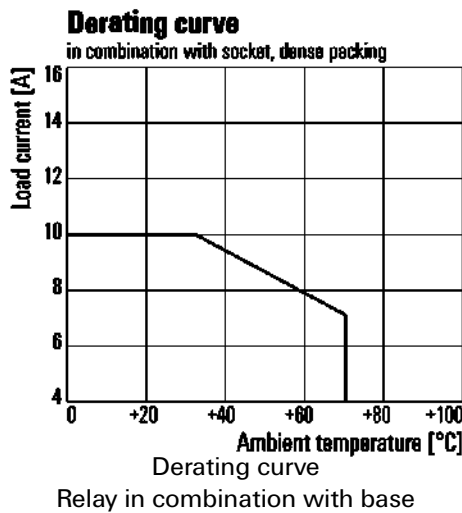
Graph



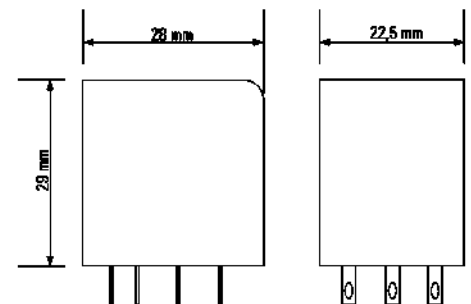
Graph



Graph



Dimensional drawing



## RCM370524

**Weidmüller Interface GmbH & Co. KG**  
 Klingenbergstraße 26  
 D-32758 Detmold  
 Germany

www.weidmueller.com

## Zeichnungen

### Miscellaneous

|                                    |     |   |   |   |   |                             |
|------------------------------------|-----|---|---|---|---|-----------------------------|
|                                    | RCM | □ | □ | □ | □ |                             |
| <b>Type</b>                        |     |   |   |   |   |                             |
| RIDER Control Multiple             |     |   |   |   |   |                             |
| <b>Type of contact</b>             |     |   |   |   |   |                             |
| 2 2C0                              |     |   |   |   |   |                             |
| 3 3C0                              |     |   |   |   |   |                             |
| 5 4C0                              |     |   |   |   |   |                             |
| <b>Contact material</b>            |     |   |   |   |   |                             |
| 7 AgNi 90/10 with test button      |     |   |   |   |   |                             |
| 8 AgNi 90/10 hgp, with test button |     |   |   |   |   |                             |
|                                    |     |   |   |   |   | <b>Coil voltage</b>         |
|                                    |     |   |   |   |   | 006 6 V DC L06              |
|                                    |     |   |   |   |   | 012 12 V DC L12 AB2         |
|                                    |     |   |   |   |   | 024 24 V DC L24 AC4         |
|                                    |     |   |   |   |   | 048 48 V DC L48 AE8         |
|                                    |     |   |   |   |   | 060 60 V DC L60             |
|                                    |     |   |   |   |   | 110 110 V DC M10 BBO        |
|                                    |     |   |   |   |   | 220 220 V DC N20            |
|                                    |     |   |   |   |   | 506 6 V AC R06              |
|                                    |     |   |   |   |   | 512 12 V AC R12             |
|                                    |     |   |   |   |   | 524 24 V AC R24             |
|                                    |     |   |   |   |   | 548 48 V AC R48             |
|                                    |     |   |   |   |   | 615 115 V AC S15            |
|                                    |     |   |   |   |   | 730 230 V AC T30            |
|                                    |     |   |   |   |   | <b>Type of construction</b> |
|                                    |     |   |   |   |   | 0 Standard, 2,8mm Faston    |

Type codes