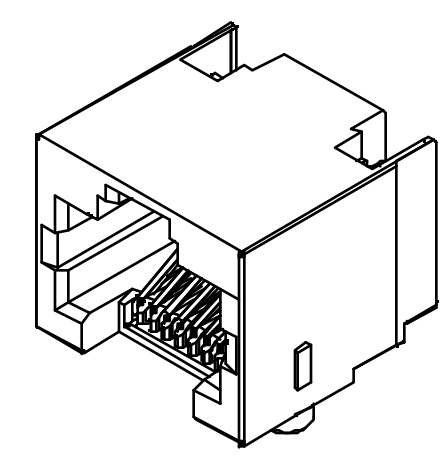
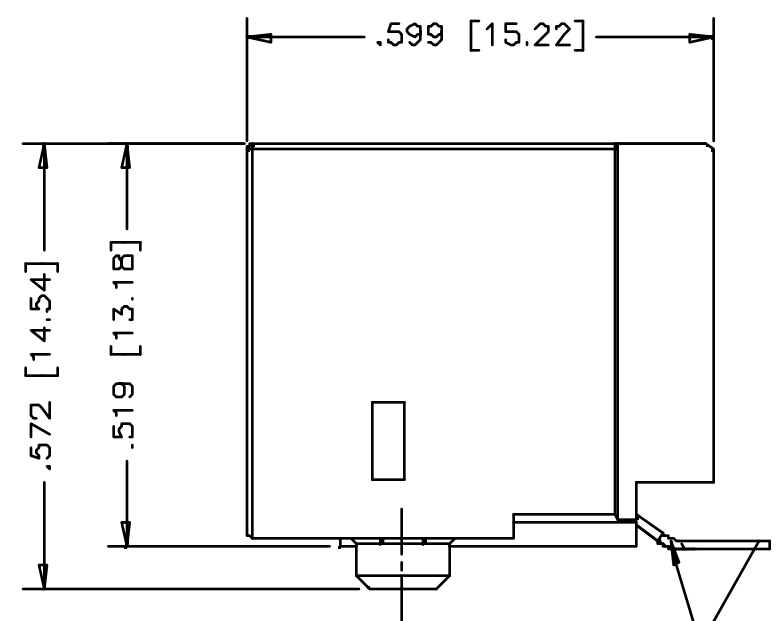
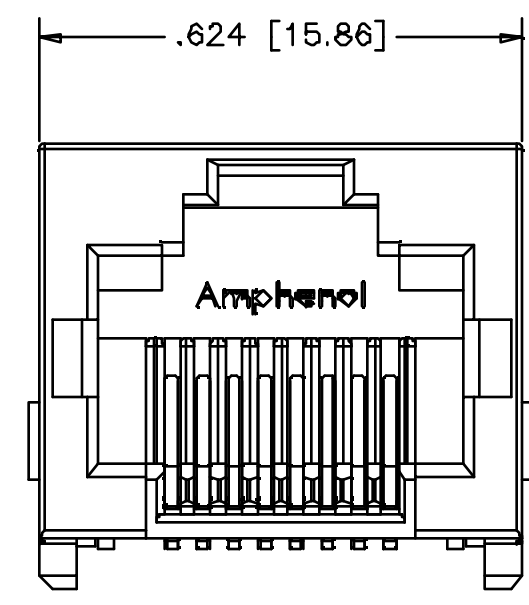
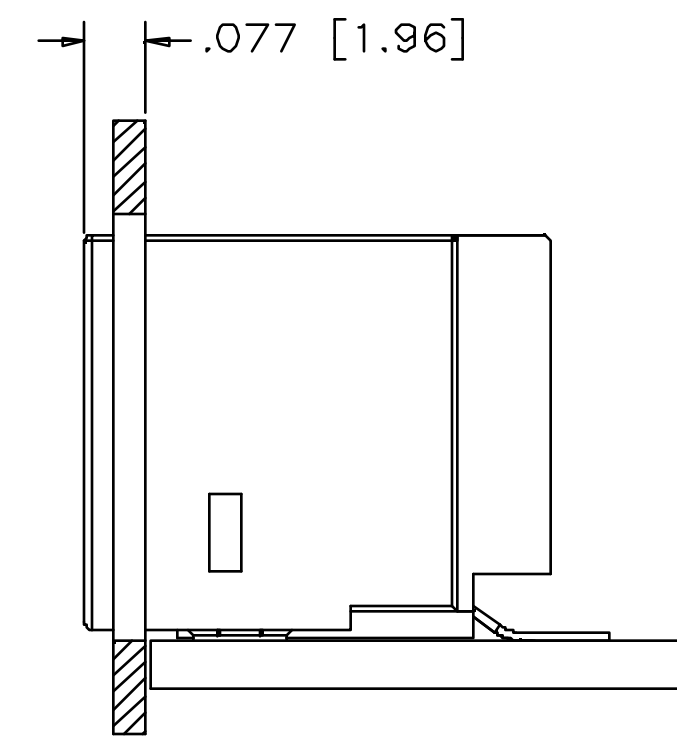
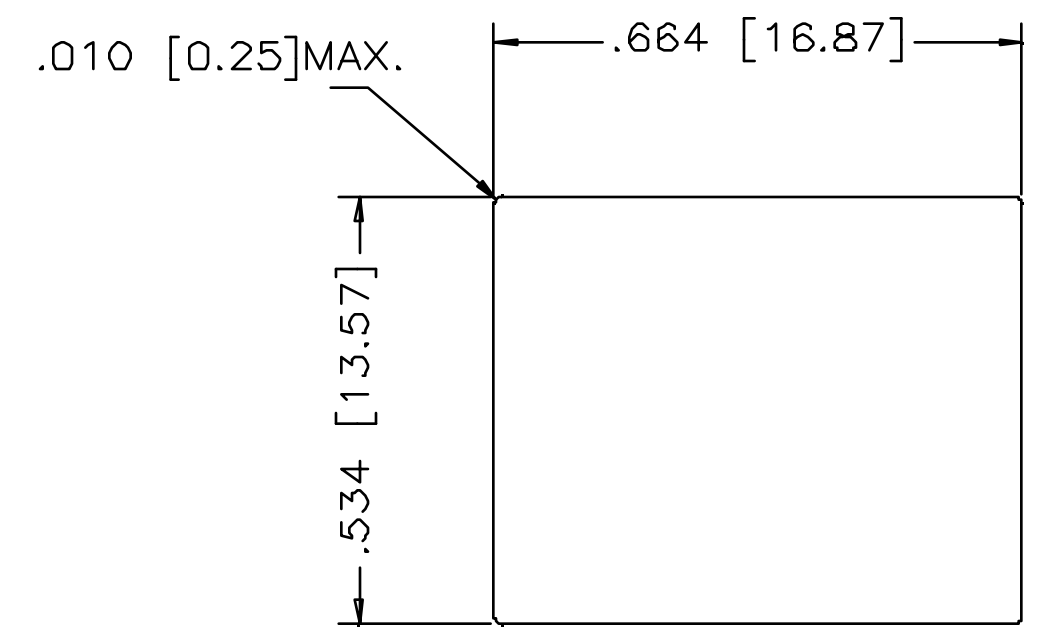
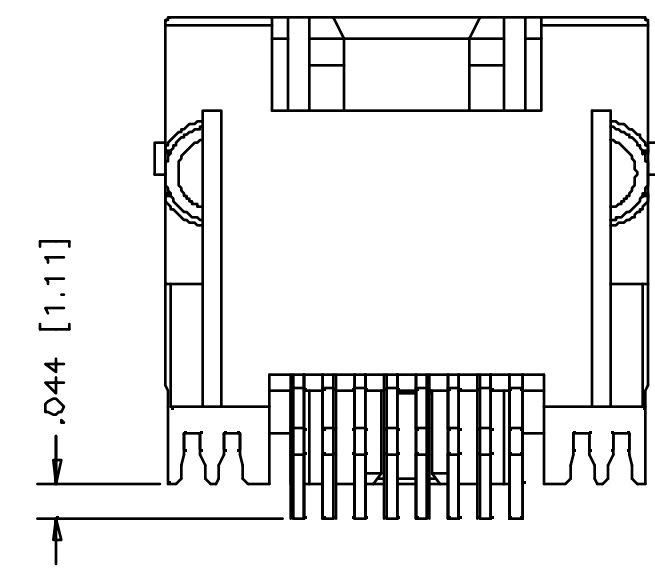


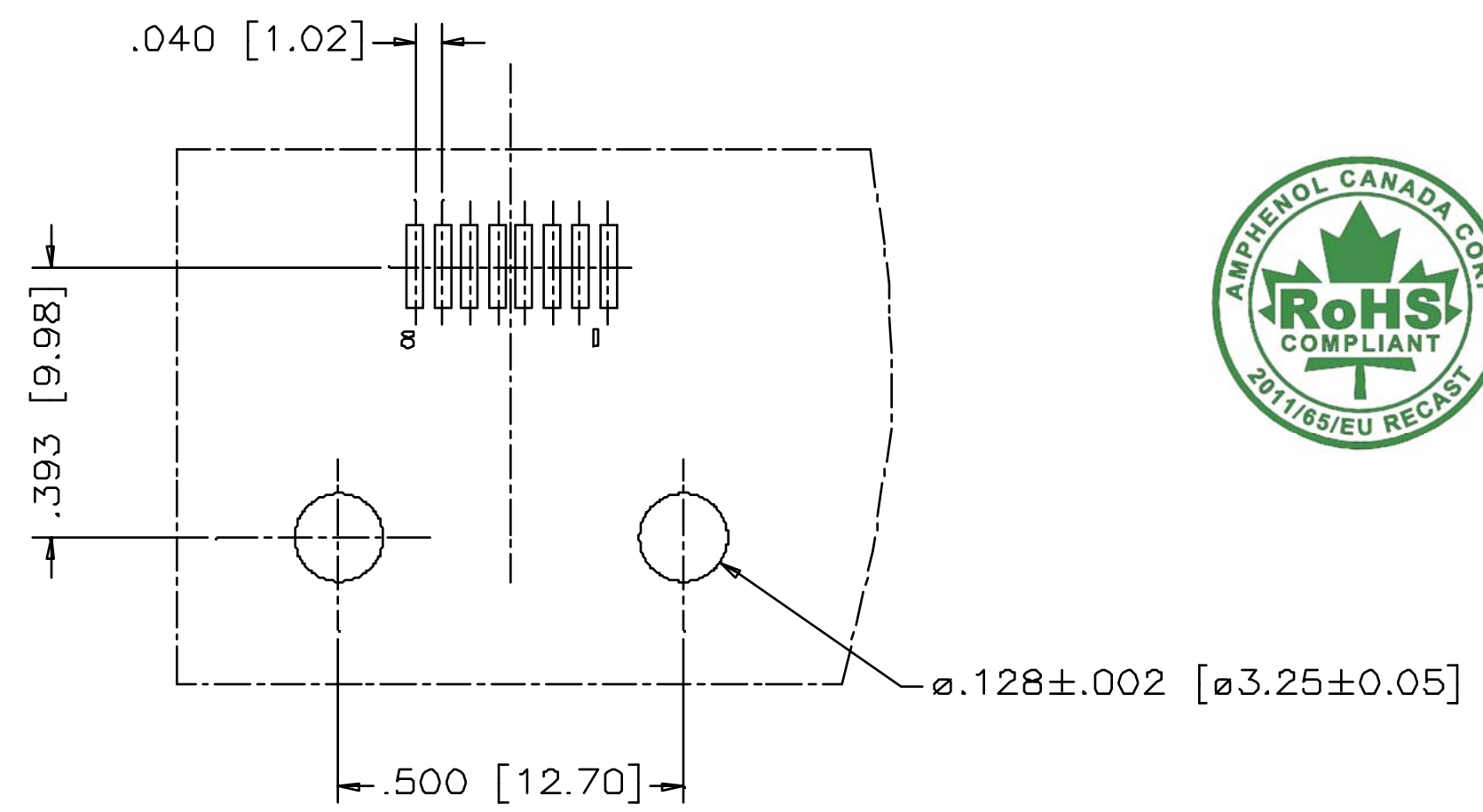
REVISIONS			
REV	DESCRIPTION, ECN, EAR NO.	DATE	APP'D
A	PROPOSAL	FEB18/13	L.CHAN
B	REVISE PROPOSAL	JUN26/15	L.CHAN



SEE NOTE 3



RECOMMENDED PANEL CUT-OUT



RECOMMENDED P.C.B. LAYOUT
(COMPONENT SIDE OF BOARD)



1, MATERIALS:

HOUSING: HIGH TEMPERATURE THERMOPLASTIC
FLAMMABILITY RATING UL 94V-0
COLOR: BLACK

CONTACTS: PHOSPHOR BRONZE
PLATING: 50 μ " MIN GOLD PLATING ON MATING AREA.
50 μ " [1.27 MICRONS] MIN NICKEL UNDERPLATE.
100 μ " [2.54 MICRONS]
MIN MATTE-TIN OR GOLD FLASH ON CONTACT TAILS.

2, ALLOW 0.6% LED DEFECT RATE AFTER 260° IR REFLOW PROCESS

3, COPLANARITY SPECIFICATION:

THE MAXIMUM GAP BETWEEN ALL TERMINAL TAILS IS 0.10 [0.004]
PART NUMBER: RJCSE-5080-01

UNLESS SPECIFIED OTHERWISE	DRAWN G.HSIA	FEB18/13
PRIMARY UNITS INCHES	CHECKED L.CHAN	FEB18/13
SECONDARY MILLIMETERS	M.E. APP'D	
REFERENCE IN PARENTHESES	Q.A. APP'D	
	DWG APP'D	
	ENG. REL. NO.	
1 DECIMAL PLACE	REF.	
2 DECIMAL PLACES		
3 DECIMAL PLACES ± 0.015		
ANGULAR DEGREES		
	THIRD ANGLE PROJECTION	DO NOT SCALE DRAWING

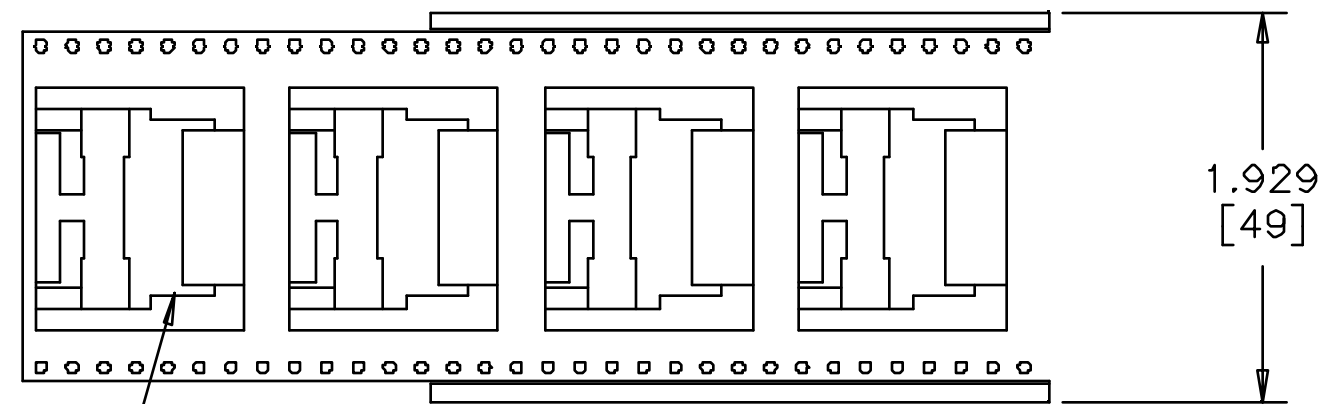
Amphenol Canada Corp.
www.amphenolcanada.com

SINGLE PORT SURFACE MOUNT JACK
8 POSITION, 8 CONTACTS, UNSHIELDED,
NO LED OPTIONS- RoHS COMPLIANT

DWG NO.	REV
P-RJCSE-5080-01	B
CODE ID NO. 03554	DWG SIZE
SCALE	SHEET 1 OF 2

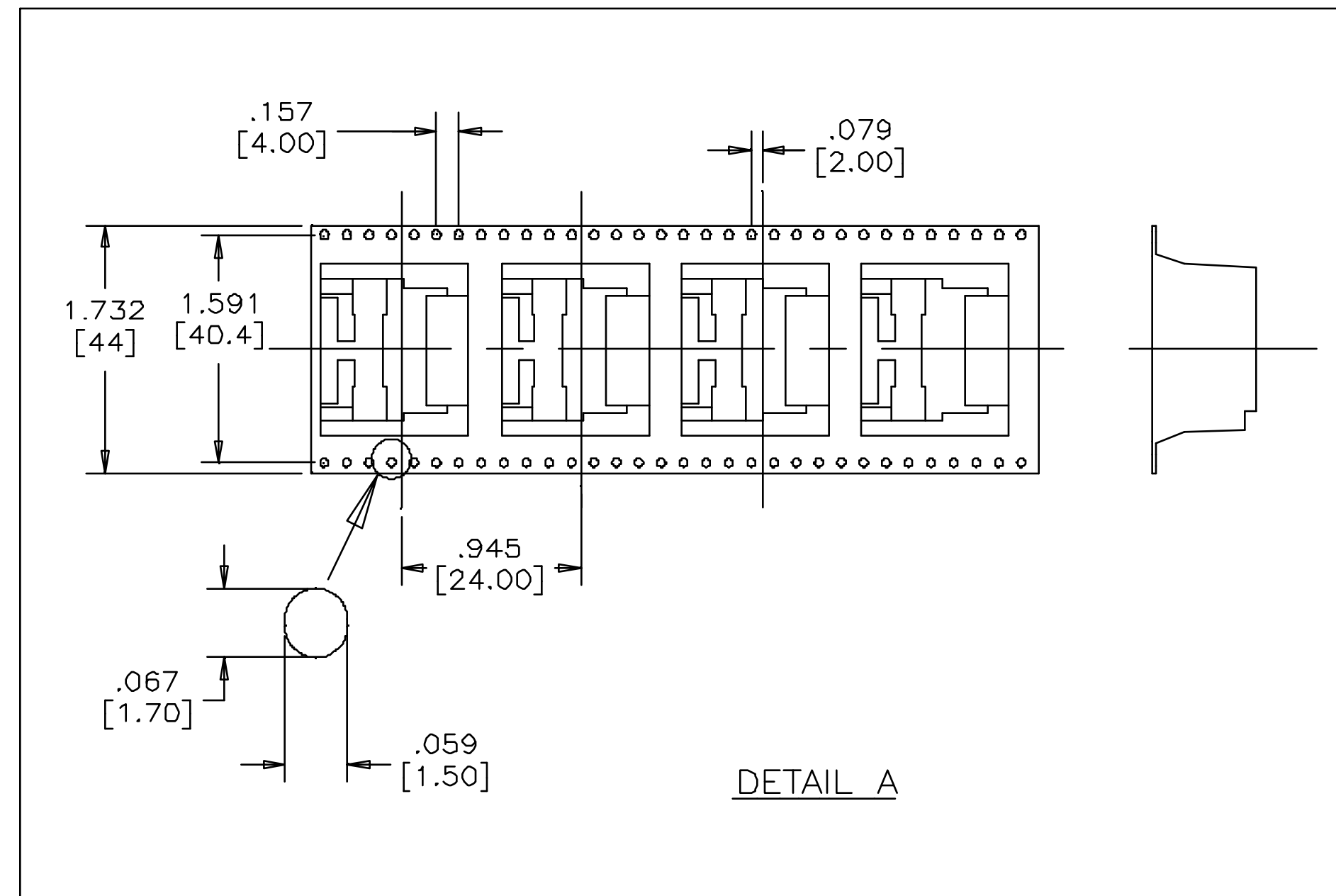
REVISIONS			
REV	DESCRIPTION, ECN, EAR NO.	DATE	APP'D
A	PROPOSAL	FEB18/13	L.CHAN
B	REVISE PROPOSAL	JUN26/15	L.CHAN

← DIRECTION OF CONNECTOR LOADED INTO MACHINE.
LEADS FACING FRONT SIDE

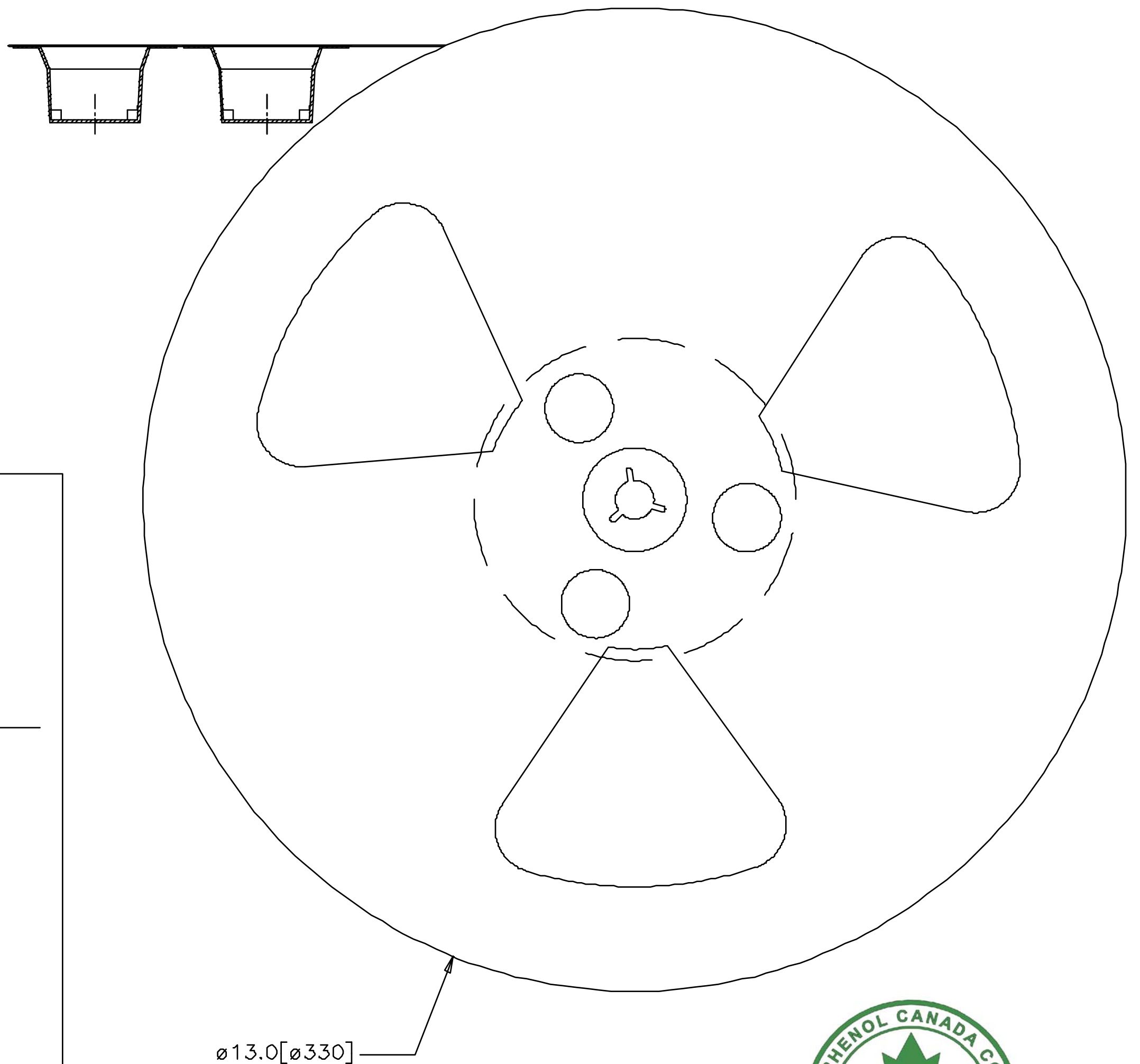


TOP VIEW
(COVER TAPE NOT SHOWN)

SEE DETAIL 'A'



DETAIL A



ø13.0[ø330]



PACKAGING NOTES:

1. ONE REEL SHOULD HOLD 150 CONNECTORS.
2. 15 EMPTY CAVITIES FOR CARRIER TAPE LEADER & 10 EMPTY CAVITIES FOR CARRIER TAPE TRAILER.
3. A FULLY LOADED CARTON SHOULD CONTAIN 5 REELS OF CONNECTORS.

THIS DOCUMENT CONTAINS PROPRIETARY INFORMATION AND SUCH INFORMATION MAY NOT BE DISCLOSED TO OTHERS FOR ANY PURPOSE OR USED FOR MANUFACTURING PURPOSES WITHOUT WRITTEN PERMISSION FROM AMPHENOL CANADA CORP.

UNLESS SPECIFIED OTHERWISE	DRAWN G.HSIA	FEB18/13
PRIMARY UNITS INCHES	CHECKED L.CHAN	FEB18/13
SECONDARY MILLIMETERS	M.E. APP'D	
REFERENCE IN PARENTHESES	Q.A. APP'D	
	DWG APP'D	
	ENG. REL. NO.	
1 DECIMAL PLACE	REF.	
2 DECIMAL PLACES		
3 DECIMAL PLACES ±0.015		
ANGULAR DEGREES ±1.5°		
	THIRD ANGLE PROJECTION	DO NOT SCALE DRAWING

Amphenol Canada Corp. www.amphenolcanada.com	
SINGLE PORT SURFACE MOUNT JACK 8 POSITION, 8 CONTACTS, UNSHIELDED, NO LED OPTIONS- RoHS COMPLIANT	
DWG NO.	REV
P-RJCSE-5080-01	B
CODE ID NO. 03554	SHEET 2 OF 2