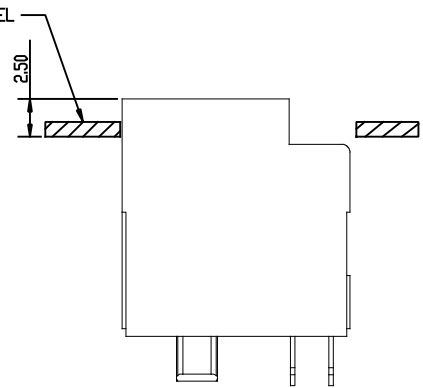
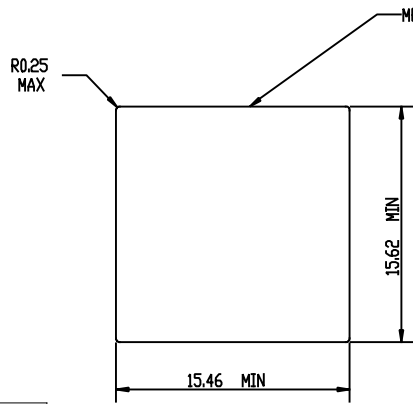
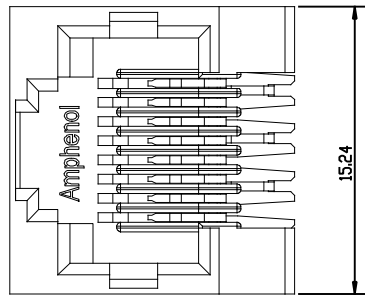
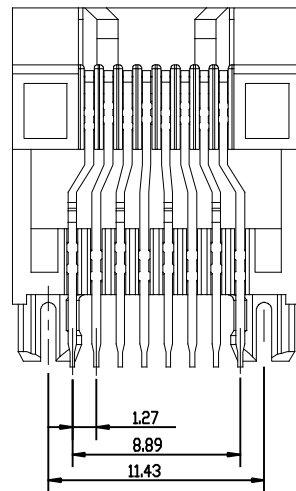
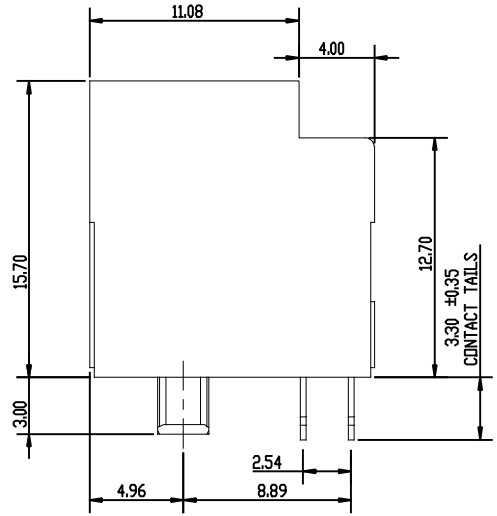


REVISIONS			
REV	DESCRIPTION, ECN, EAR NO.	DATE	APP'D
A	PROPOSAL	MAR 31/16	L.CHAN
B	Correct gold plating	JUN 15/16	L.CHAN
C	REVISE THE NOTES	FEB 24/17	L.CHAN



RECOMMENDED PANEL CUTOUT



**MATERIALS:**

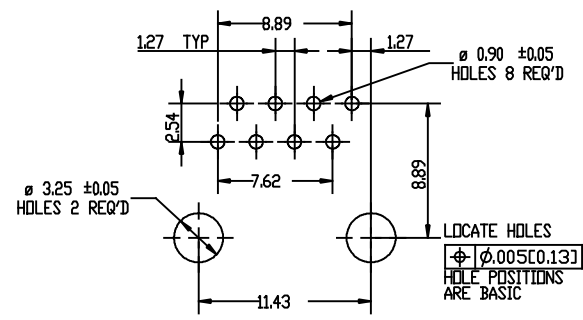
PLASTIC HOUSING: HIGH TEMPERATURE THERMOPLASTIC  
FLAMMABILITY RATING UL94V-0. COLOUR BLACK.

CONTACT: PHOSPHOR BRONZE.

CONTACT PLATING: SELECTIVE GOLD PLATING ON MATING SURFACES.  
SEE PART NO. FOR THICKNESS.  
50u" [1.27 MICRONS] MIN. NICKEL UNDERPLATE.  
100u" [2.54 MICRONS] MIN. MATTE-TIN ON CONTACT TAILS.

AMPHENOL PART NUMBER: RJE1J-188-0X10

- Gold plating:
0. gold plating (1~3u")
  1. 6u" gold plating
  2. 15u" gold plating
  3. 30u" gold plating
  4. 50u" gold plating



RECOMMENDED P.C.B. LAYOUT  
(COMPONENT SIDE OF BOARD)  
PCB THICKNESS: 1.57MM  
TOLERANCE: +/-0.05MM

UNLESS SPECIFIED OTHERWISE	DRAWN	FRANK W	MAR31/16
PRIMARY UNITS	CHECKED	L.CHAN	MAR31/16
SECONDARY	M.E. APP'D		
REFERENCE IN PARENTHESES	Q.A. APP'D		
GENERAL TOLERANCES	DWG APPR.		
1 DECIMAL PLACE	ENG. REL. NO.		
2 DECIMAL PLACES	REF.		
3 DECIMAL PLACES	THIRD ANGLE PROJECTION		
ANGULAR DEGREES	DO NOT SCALE DRAWING		

**Amphenol Canada Corp.**

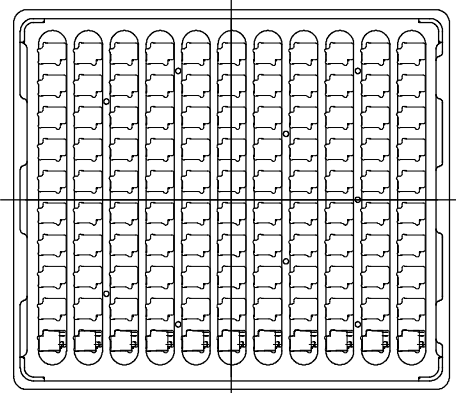
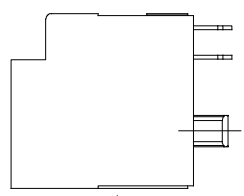
MODULAR JACK, SINGLE PORT, VERTICAL MOUNT, 8P8C, WITHOUT SHIELD. TRAY PACKAGING - RoHS COMPLIANT

DWG. NO. P-RJE1J-188-0X10

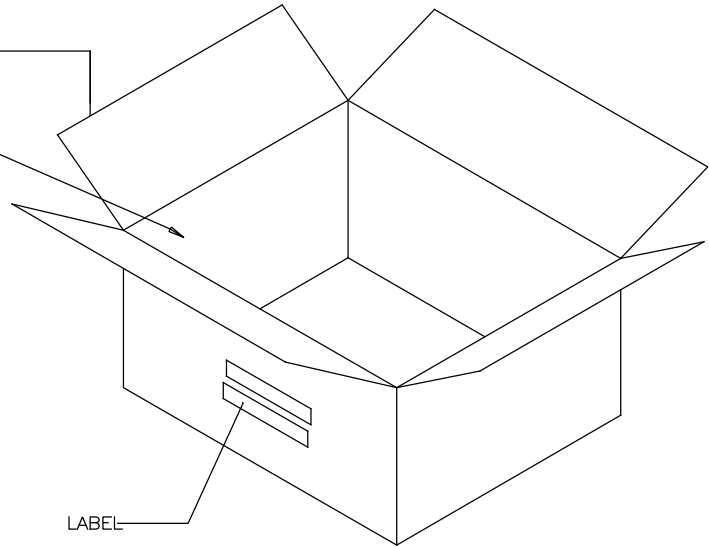
REV C

CODE ID NO. 03554 DWG SIZE: X SCALE: 40 SHEET 1 OF 2

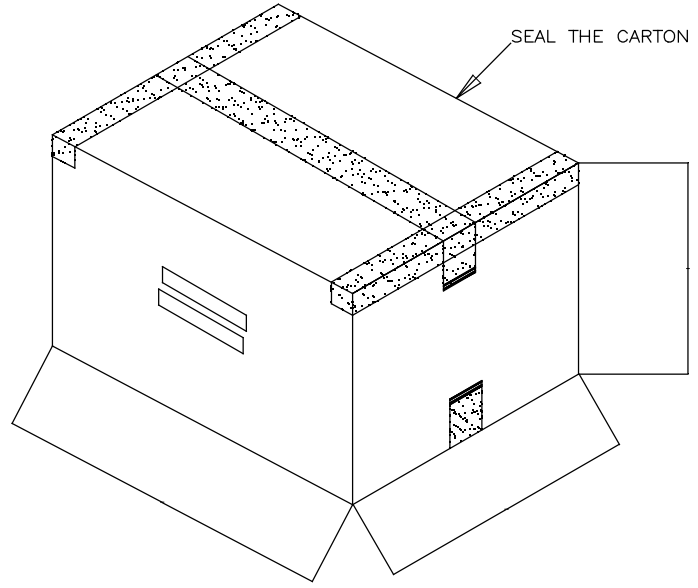
REVISIONS				
SYM	ZONE	ECN, ERN NO.	DATE	APPRD.
A		PROPOSAL	MAR31/16	L.CHAN
B		Correct gold plating	JUN15/16	L.CHAN
C		REVISE THE NOTES	FEB 24/17	L.CHAN



12 TRAY PER CARTON



LABEL



SEAL THE CARTON

**PACKAGING NOTES:**

1. 110PCS CONNECTORS PER TRAY
2. 12 TRAY PER CARTON (1320 PCS CONNECTORS PER CARTON)

THIS DOCUMENT CONTAINS PROPRIETARY INFORMATION AND SUCH INFORMATION MAY NOT BE DISCLOSED TO OTHERS FOR ANY PURPOSE OR USED FOR MANUFACTURING PURPOSES WITHOUT WRITTEN PERMISSION FROM AMPHENOL CANADA CORP.

DRAWN	FRANK.W	DATE	MAR31/16
DESIGNED			
CHECKED	L.CHAN	DATE	MAR31/16
I. E. APPRD.			
Q. A. APPRD.			
DWG. APPRD.			
ENG. REL. NO.			
REF.			
DIMENSIONS ARE IN INCHES	(mm)	CODE ID. NO.	03554

**Amphenol Canada Corp.**

TITLE  
MODULAR JACK, SINGLE PORT, VERTICAL MOUNT, 8P8C, WITHOUT SHIELD. TRAY PACKAGING - RoHS COMPLIANT

DWG. DRAWING NO. P-RJE1J-188-0X10 REV. C

SCALE WT. \_\_\_\_\_ SURF. \_\_\_\_\_ SHEET 2 OF 2