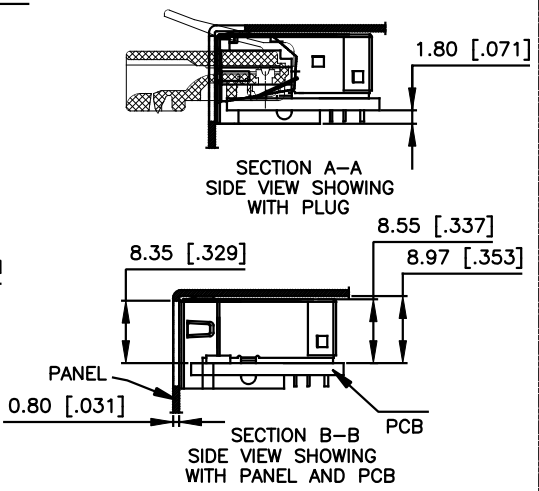
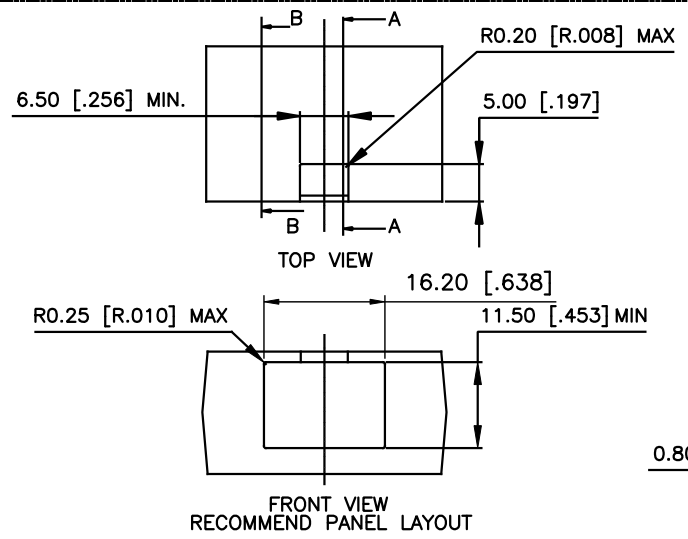


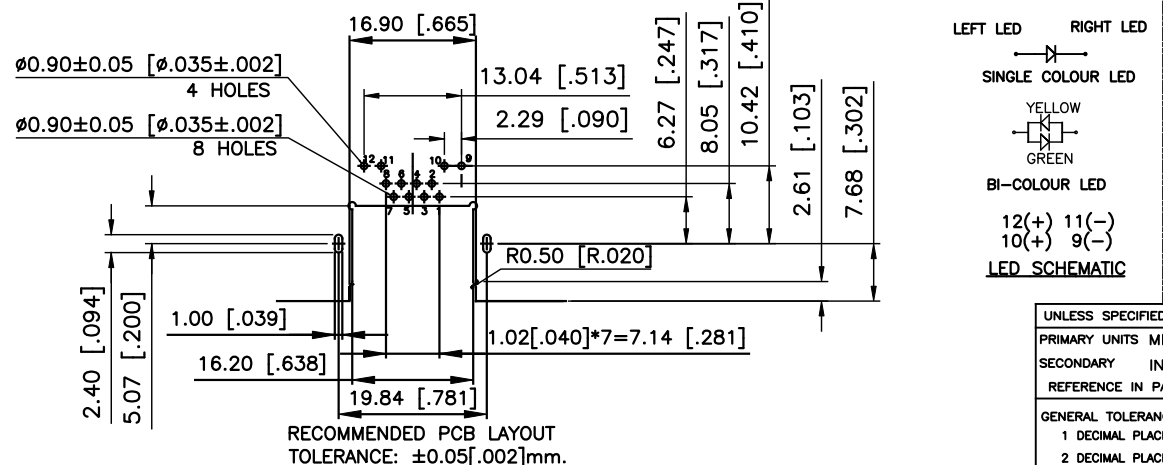
REVISIONS			
REV	DESCRIPTION, ECN, EAR NO.	DATE	APP'D
E	CHANGE SHELL SHAPE ON THE TOP FACE	MAR06,2015	L.CHAN
F	UPDATE LED SCHEMATIC	DEC17,2015	L.CHAN

- NOTES:
ELECTRICAL:
 1. VOLTAGE RATING : 125 VAC.
 2. CURRENT RATING : 1.25 AMP.
 3. INSULATING RESISTANCE : 500 MEGOHMS MINIMUM.
 4. DIELECTRIC STRENGTH : 1000 VAC 60HZ, 1MIN.
 5. CATEGORY 6 CHARACTERISTIC:

Frequency MHz	Near-End Crosstalk dB, MIN.	Return Loss dB, MIN.	Insertion loss dB, MAX.
1.0	75.0	30.0	0.1
4.0	75.0	30.0	0.1
8.0	75.0	30.0	0.1
10.0	74.0	30.0	0.1
16.0	69.9	30.0	0.1
20.0	68.0	30.0	0.1
25.0	66.0	30.0	0.1
31.25	64.1	30.0	0.11
62.5	58.1	28.1	0.16
100.0	54.0	24.0	0.20
200.0	48.0	18.0	0.28
250.0	46.0	16.0	0.32



- MECHANICAL:**
 1. SHIELD : STAINLESS STEEL, WITH TIN-DIP ON SOLDER TABS.
 2. HOUSING : HIGH TEMP THERMOPLASTIC. UL 94V-0.
 3. INSERT : HIGH TEMP THERMOPLASTIC UL 94V-0.
 4. PCB : FR-4.
 5. CONTACT : PHOSPHOR BRONZE.
 SELECTIVE GOLD PLATING FOR MATING SURFACE, SEE AMPHENOL PART NUMBER FOR DETAIL.
 50u" NICKEL UNDERPLATE
 100u" MATTE TIN PLATING ON CONTACT SOLDER TAIL.
- ENVIRONMENTAL:**
 1. STORAGE : -40° TO +85°.
 2. OPERATION : -40° TO +85°.
 MATES WITH MODULAR PLUG CONFORMING TO TIA 1096.
 RECOMMENDED SOLDER PROCESS: WAVE SOLDER, PEAK TEMPERATURE 260° FOR 5 SECOND MAXIMUM.



- AMPHENOL PART NUMBER: RJE71-188-1XXX
- GOLD PLATING OPTION _____
- 1=6u" [0.15 MICRONS] GOLD PLATING
 2=15u" [0.38 MICRONS] GOLD PLATING
 3=30u" [0.76 MICRONS] GOLD PLATING
 4=50u" [1.27 MICRONS] GOLD PLATING
- _____ OPTIONS (SEE BELOW TABLE 1)
 _____ REFER TO LED OPTIONS DRAWING FOR ORDERING CODES

TABLE 1

Part Number	Dimension 1	Dimension 2
RJE711881XX1	3.18 [0.125]	2.36 [0.093]
RJE711881XX2	2.27 [0.089]	1.57 [0.062]
RJE711881XX3	2.16 [0.085]	1.57 [0.062]

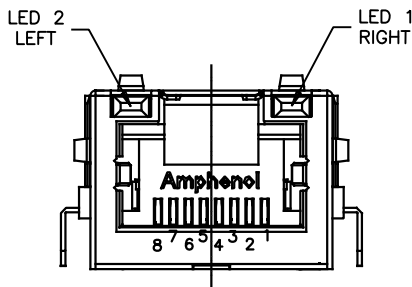
AMPHENOL P/N: DIM A RECOMMEND PCB THICKNESS

UNLESS SPECIFIED OTHERWISE	DRAWN HUGH WANG JULY 17,2012	Amphenol Canada Corp.	
PRIMARY UNITS MILLIMETERS	CHECKED L.CHAN JULY 17,2012	www.amphenolcanada.com	
SECONDARY INCHES	M.E. APP'D	MODULAR JACK, SINGLE PORT, 8 POSITIONS, 8 CONTACTS, SHIELDED WITH TOP & SIDE TABS, WITH LED, SINK PCB TYPE, TAB UP, CAT6	
REFERENCE IN PARENTHESES	Q.A. APP'D		
GENERAL TOLERANCES FOR MM	DWG APP'D ADRIAN.G JULY 17,2012	DWG NO.	P-RJE71-188-1XXX
1 DECIMAL PLACE ±0.50	ENG. REL. NO.	REF.	REV F
2 DECIMAL PLACE ±0.30			
3 DECIMAL PLACE ±0.10			
ANGULAR DEGREES ±3°			
	THIRD ANGLE PROJECTION	DO NOT SCALE DRAWING	
		CODE ID NO. 03554	DWG SIZE: C SCALE: N/A SHEET 1 OF 2

THIS DOCUMENT CONTAINS PROPRIETARY INFORMATION AND SUCH INFORMATION MAY NOT BE DISCLOSED TO OTHERS FOR ANY PURPOSE OR USED FOR MANUFACTURING PURPOSES WITHOUT WRITTEN PERMISSION FROM AMPHENOL CANADA CORP.

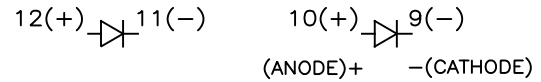
REVISIONS			
REV	DESCRIPTION, ECN, EAR NO.	DATE	APP'D
A	PROPOSAL DRAWING	MAR18,2016	A.G.

RJE72 SERIES LED OPTIONS TYPICAL FOR SINGLE & MULTI-PORTS



LED SPECIFICATIONS:
 FORWARD VOLTAGE: 2.2 VOLTS TYP.
 REVERSE VOLTAGE: 5.0 VOLTS MIN.
 LUMINOUS INTENSITY: 5 mCd MIN.
 (AT IF=20mA)
 STORAGE TEMPERATURE: -40° TO 85° C

PRIMARY COLOR FOR Bi-COLOR
 LEDS IN STANDARD ANODE/CATHODE
 CONFIGURATION IS:
 RED-GREEN = RED
 RED-YELLOW = RED
 GREEN-YELLOW = GREEN
 GREEN-ORANGE = GREEN



EXAMPLE:
 PART NUMBER RJE72-X88-1XXX

↑
LED COLOR CODE

LEGEND
 BiC=Bi-COLOR LED
 YE=YELLOW
 GR=GREEN
 RE=RED
 OR=ORANGE

NOTE:
 THE TWO DIGITS PRECEDING THE
 ADDITIONAL LED CODE MUST BE
 USED IN THE PART NUMBER, WHEN
 ORDERING ANY OF THE ADDITIONAL
 LED OPTIONS.

CODE	LED 2 (LEFT)	LED 1 (RIGHT)	CODE	LED 2 (LEFT)	LED 1 (RIGHT)	CODE	LED 2 (LEFT)	LED 1 (RIGHT)
0	BLOCKED	BLOCKED	9	GREEN	BLOCKED	J	BiC RD/GR	YELLOW
1	YELLOW	GREEN	A	BiC GR/YE	BiC GR/YE	K	YELLOW	BiC GR/OR
2	BLOCKED	GREEN	B	BiC RD/GR	BiC RD/GR	L	BiC GR/YE	RED
3	YELLOW	BLOCKED	C	BiC RD/GR	BiC GR/YE	M	RED	YELLOW
4	GREEN	YELLOW	D	GREEN	BiC GR/YE	P	GREEN	BiC RD/GR
5	GREEN	GREEN	E	YELLOW	BiC GR/YE	R	BiC GR/OR	GREEN
6	YELLOW	YELLOW	F	BiC GR/YE	YELLOW	T	RED	RED
7	RED	YELLOW	G	BiC GR/OR	BiC GR/OR	V	BiC RD/GR	GREEN
8	GREEN	RED	H	BiC GR/YE	GREEN			

UNLESS SPECIFIED OTHERWISE PRIMARY UNITS MILLIMETERS SECONDARY INCHES REFERENCE IN PARENTHESES	DRAWN <i>KELVIN T</i> CHECKED M.E. APP'D Q.A. APP'D	MAR, 2016	Amphenol Canada Corp. www.amphenolcanada.com
GENERAL TOLERANCES FOR MM 1 DECIMAL PLACE ±0.50 2 DECIMAL PLACE ±0.30 3 DECIMAL PLACE ±0.10 ANGULAR DEGREES ±3°	ENG. REL. NO. REF.		<i>RJE72 LED OPTIONS DRAWING</i>
THIRD ANGLE PROJECTION	DO NOT SCALE DRAWING	DWG NO. <i>P-RJE72-LEDS</i>	REV <i>A</i>
		CODE ID NO. 03945	DWG SIZE: C SCALE: N/A SHEET 1 OF 1