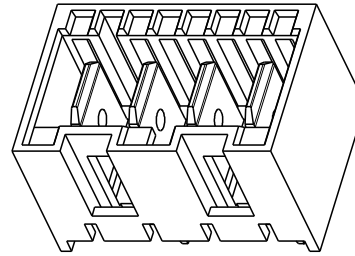
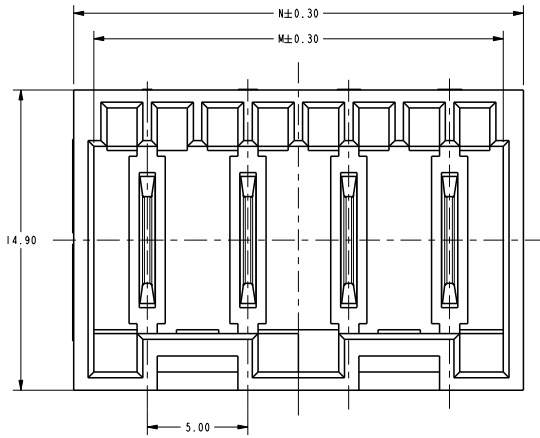
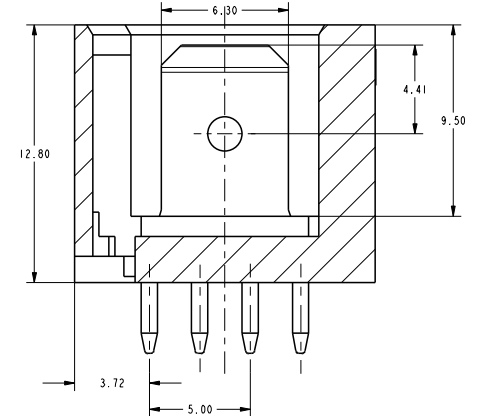
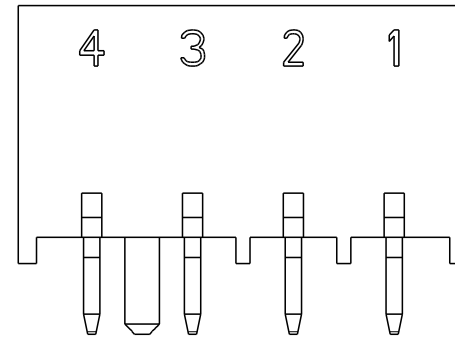
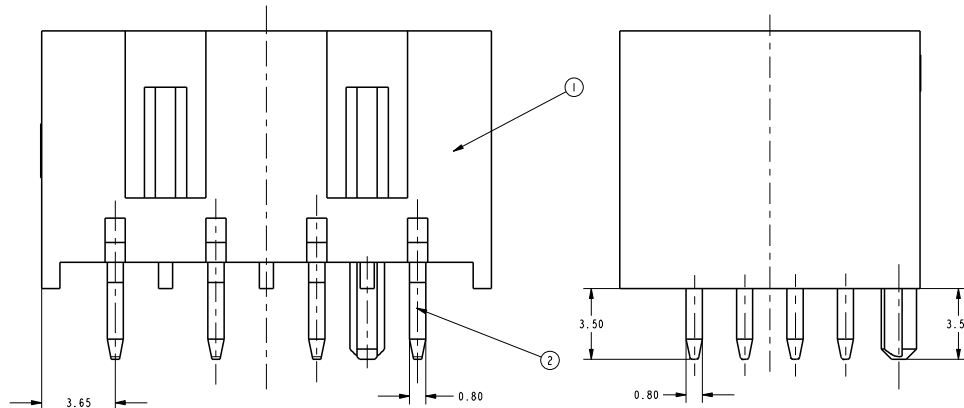


REV	DATE	DESCRIPTION	BY	CHK
00				
A23	ECR-17-013299			

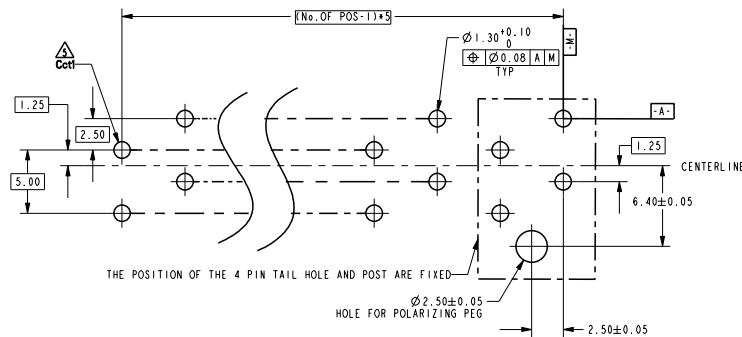


NOTE

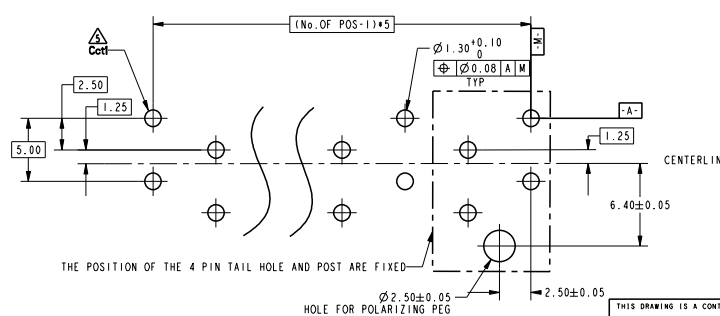
- HOUSING HAS RAST 5 COMPLIANT KEYING, LATCHING, AND POLARIZATION TAB IS 6.30 X 0.8 ACCORDING TO DIN 46244
 - SEE SHEET 2 FOR AVAILABLE CONFIGURATIONS
 - MATERIAL: HOUSING, NYLON, UL94 V0, 750°C GWI NO FLAME CONTACT, COPPER ALLOY, 0.8MM THICK
 - FINISH: CONTACTS, MATT TIN PLATING OVERALL, NICKEL UNDER-PLATING BRIGHT TIN PLATING OVERALL, NICKEL UNDER-PLATING SILVER PLATING OVERALL, NICKEL UNDER-PLATING
- ⚠ PCB TABS INSERTED IN A STAGGERED PATTERN BEGINNING WITH POSITION 1 (C_C+1)
- ⚠ THE PART NUMBERS SHOWING IN SHEET 2 & 3 & 4 & 5 ARE FOR NATURAL COLOR. THE PART NUMBER FOR OTHER COLOR ARE BASED ON THE NATURAL ONE. FOR THE SAME CONFIGURATION, THE PREFIX AND POSTFIX OF THE P/N ARE THE SAME. ONLY THE BASE NUMBER IS DIFFERENT ACCORDING TO DIFFERENT COLOR. DETAIL PLEASE SEE SHEET 6
- 7 PACKAGING: LOOSE PIECE OR TUBE. THE PART NUMBERS IN THIS DRAWING ARE WITH LOOSE PIECE PACKAGING. PLEASE CONTACT TE SALES REPRESENTATIVES FOR TUBE PACKAGING REQUIREMENT.
- ⚠ PRELIMINARY PART, NOT RELEASED FOR PRODUCTION.
- ⚠ FOR P/N: 2-1971895-4:
 1) THE CONTACTS ARE WITH BRIGHT TIN PLATING.
 2) INSERTION FORCE MATING WITH 4P MONO SHAPE MK1 CONNECTOR: 85N MAX ACCORDING TO IEC 60512-13-1, Test 13a
- ⚠ FOR P/N: 5-1971845-8, 2-1971845-6, 6-1971845-5 AND 2-1971895-5:
 1) THE CONTACTS ARE WITH BRIGHT TIN PLATING.
- ⚠ PART NUMBERS WITH TUBE PACKAGING



SECTION A-A



RECOMMEND PCB LAYOUT - SOLDER SIDE
 EVEN NUMBER OF PINS
 PCB 16±0.2 THICK



RECOMMEND PCB LAYOUT - SOLDER SIDE
 ODD NUMBER OF PINS
 PCB 16±0.2 THICK

N	M	NO. OF POS.
42.30	40.30	8
37.30	35.30	7
32.30	30.30	6
27.30	25.30	5
22.30	20.30	4
17.30	15.30	3
12.30	10.30	2

THIS DRAWING IS A CONTROLLED DOCUMENT.

DATE: 21JAN2013
 CHK: JHAPYE
 DATE: 21JAN2013
 APPR: JHAPYE

TE Connectivity
RAST 5 TAB HEADER ASSY
 DIN STYLE, TH, VERTICAL

PRODUCT SPEC: 108-108080
 APPLICATION SPEC: 108-108080

STRT: 00779
 DRAWING NO: 1971845
 CUSTOMER DRAWING

SCALE: 8:1
 SHEET: 1 OF 6

LOC	DATE	DESCRIPTION	DATE	BY	APP'D
		SEE SHEET 1			

color	QTY	②	QTY	①	NO. OF POS.	TE PART NO.
NATURAL	8	I	RAST 5 TAB HEADER HOUSING, 8P, NATURE (SEE THE DETAIL LAYOUT ON SHEET 5)	8	6-1971846-8	
					5-1971846-8	
					4-1971846-8	
					3-1971846-8	
					2-1971846-8	
					1-1971846-8	
					1971846-8	
					1971896-7	
	7	I	RAST 5 TAB HEADER HOUSING, 7P, NATURE (SEE THE DETAIL LAYOUT ON SHEET 5)	7	9-1971846-7	
					8-1971846-7	
					7-1971846-7	
					6-1971846-7	
					5-1971846-7	
					4-1971846-7	
					3-1971846-7	
					2-1971846-7	
	6	I	RAST 5 TAB HEADER HOUSING, 6P, NATURE (SEE THE DETAIL LAYOUT ON SHEET 5)	6	1-1971846-7	
					1971846-7	
					1-1971896-6	
					1971896-6	
9-1971846-6						
8-1971846-6						
7-1971846-6						
6-1971846-6						
5	I	RAST 5 TAB HEADER HOUSING, 5P, NATURE (SEE THE DETAIL LAYOUT ON SHEET 4)	5	5-1971846-6		
				4-1971846-6		
				3-1971846-6		
				2-1971846-6		
				1-1971846-6		
				1971846-6		
				1971896-5		
				9-1971846-5		
5	I	RAST 5 TAB HEADER HOUSING, 5P, NATURE (SEE THE DETAIL LAYOUT ON SHEET 4)	5	8-1971846-5		
				7-1971846-5		
				6-1971846-5		
				5-1971846-5		
				4-1971846-5		
				3-1971846-5		
				2-1971846-5		
				1-1971846-5		
5	I	RAST 5 TAB HEADER HOUSING, 5P, NATURE (SEE THE DETAIL LAYOUT ON SHEET 4)	5	1971846-5		
				1971896-5		
				9-1971846-5		
				8-1971846-5		
				7-1971846-5		
				6-1971846-5		
				5-1971846-5		
				4-1971846-5		

color	QTY	②	QTY	①	NO. OF POS.	TE PART NO.
NATURAL	4	I	RAST 5 TAB HEADER HOUSING, 4P, NATURE (SEE THE DETAIL LAYOUT ON SHEET 4)	4	1-2298031-4	
					9-1971896-4	
					7-1971896-4	
					6-1971896-4	
					5-1971896-4	
					4-1971896-4	
					3-1971896-4	
					2-1971896-4	
	3	I	RAST 5 TAB HEADER HOUSING, 3P, NATURE (SEE THE DETAIL LAYOUT ON SHEET 4)	3	1-1971896-4	
					1971896-4	
					9-1971846-4	
					8-1971846-4	
					7-1971846-4	
					6-1971846-4	
					5-1971846-4	
					4-1971846-4	
	2	I	RAST 5 TAB HEADER HOUSING, 2P, NATURE (SEE THE DETAIL LAYOUT ON SHEET 4)	2	3-1971846-4	
					2-1971846-4	
					1-1971846-4	
					1971846-4	
4-1971896-3						
3-1971896-3						
2-1971896-3						
1-1971896-3						
2	I	RAST 5 TAB HEADER HOUSING, 2P, NATURE (SEE THE DETAIL LAYOUT ON SHEET 4)	2	1971896-3		
				9-1971846-3		
				8-1971846-3		
				7-1971846-3		
				6-1971846-3		
				5-1971846-3		
				4-1971846-3		
				3-1971846-3		
2	I	RAST 5 TAB HEADER HOUSING, 2P, NATURE (SEE THE DETAIL LAYOUT ON SHEET 4)	2	2-1971846-3		
				1-1971846-3		
				1971846-3		
				6-1971896-2		
				5-1971896-2		
				4-1971896-2		
				3-1971896-2		
				2-1971896-2		
2	I	RAST 5 TAB HEADER HOUSING, 2P, NATURE (SEE THE DETAIL LAYOUT ON SHEET 4)	2	1-1971896-2		
				1971896-2		
				9-1971846-2		
				8-1971846-2		
				7-1971846-2		
				6-1971846-2		
				5-1971846-2		
				4-1971846-2		
2	I	RAST 5 TAB HEADER HOUSING, 2P, NATURE (SEE THE DETAIL LAYOUT ON SHEET 4)	2	3-2304599-2		
				3-1971846-2		
				2-1971846-2		
				1-1971846-2		
				1971846-2		
				1971896-2		
				9-1971846-2		
				8-1971846-2		

THIS DRAWING IS A CONTROLLED DOCUMENT.

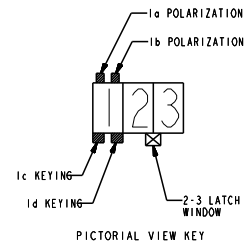
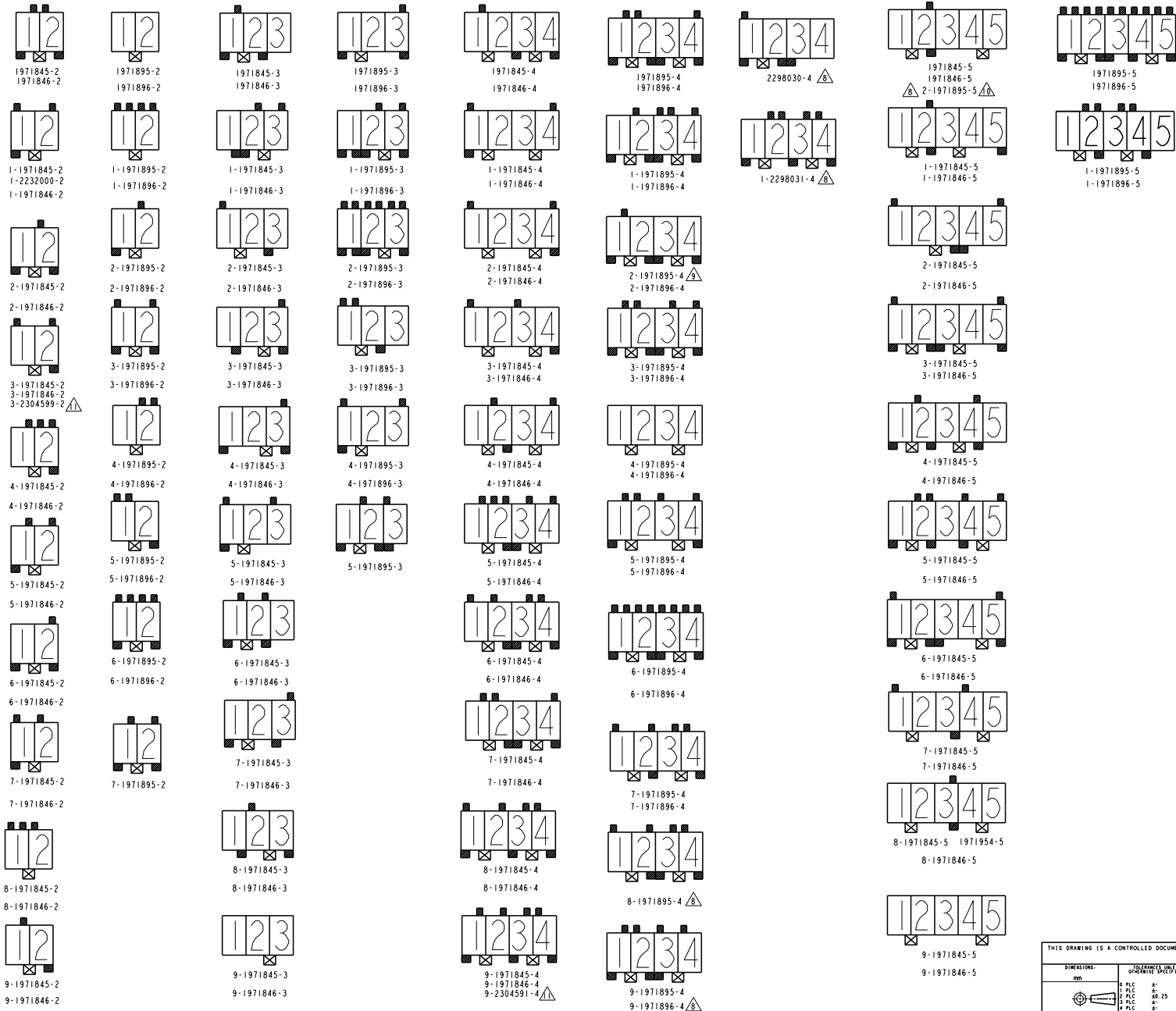
DATE: 21JAN2013	REV: 001
DATE: 21JAN2013	REV: 002
DATE: 21JAN2013	REV: 003

TE Connectivity

RAST 5 TAB HEADER ASSY
 DIN STYLE, TH. VERTICAL

SCALE: 8:1 | SHEET: 3 OF 6 | DATE: 1/23

REV	DATE	BY	APPD	DESCRIPTION
1				SEE SHEET 1



THIS DRAWING IS A CONTROLLED DOCUMENT.		REV	21Jan2013	TE Connectivity
DIMENSIONAL		DRP	21Jan2013	
mm	UNLESS OTHERWISE SPECIFIED:	CHK	21Jan2013	PART 5 TAB HEADER ASSY DIN STYLE, TH. VERTICAL
		APPD	21Jan2013	
		PRODUCT SPEC		
		APPLICATION SPEC		
MATERIAL	FINISH	HEIGHT	Customer Drawing	SCALE 8:1 SHEET 4 of 6 DRAWING NO. 00779 ©=1971845 RESTRICTED TO

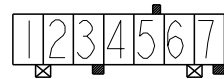
LOC	DATE	REVISIONS	DATE	BY	APP
		SEE SHEET 1			



1971845-6
1971846-6



1971895-6
1971896-6



1971845-7
1971846-7



1971895-7
1971896-7



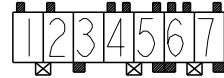
1971845-8
1971846-8



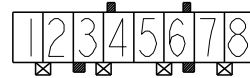
1-1971845-6
1-1971846-6



1-1971895-6
1-1971896-6



1-1971845-7
1-1971846-7



1-1971845-8
1-1971846-8



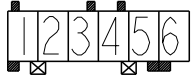
2-1971845-6
2-1971846-6



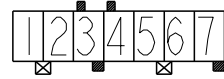
2-1971845-7
2-1971846-7



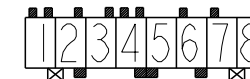
2-1971845-8
2-1971846-8



3-1971845-6
3-1971846-6



3-1971845-7
3-1971846-7



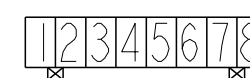
3-1971845-8
3-1971846-8



4-1971845-6
4-1971846-6



4-1971845-7
4-1971846-7



4-1971845-8
4-1971846-8



5-1971845-6
5-1971846-6



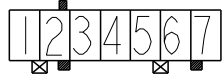
5-1971845-7
5-1971846-7



5-1971845-8
5-1971846-8



6-1971845-6
6-1971846-6



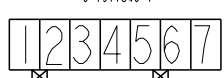
6-1971845-7 1971846-7



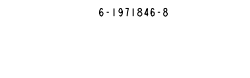
6-1971845-8
6-1971846-8



7-1971845-6
7-1971846-6



7-1971845-7
7-1971846-7



7-1971845-8
7-1971846-8



8-1971845-6
8-1971846-6



8-1971845-7
8-1971846-7



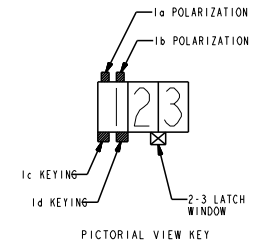
8-1971845-8
8-1971846-8



9-1971845-6
9-1971846-6



9-1971845-7
9-1971846-7

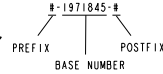


THIS DRAWING IS A CONTROLLED DOCUMENT.		REV	21Jan2013	TE Connectivity				
DRAWN BY: JRP		CHK	21Jan2013					
DIMENSIONAL UNIT: mm		DATE	21Jan2013	PART NAME: RAST 5 TAB HEADER ASSY DIN STYLE, TH. VERTICAL				
TOLERANCES UNLESS OTHERWISE SPECIFIED:		APP'D						
	0.25	PRODUCT SPEC	108-108080	MATERIAL: STEEL FINISH: - HEIGHT: - ANGLE: - Customer Drawing				
	0.125	APPLICATION SPEC						
	0.075							
	0.05							
MATERIAL: -		STOCK CODE	00779	DRAWING NO	1971845	RESTRICTED TO		
SCALE		8:1	SHEET	5	OF	6	REV	23

NOT BEING THE TE CONNECTIVITY RECEIVED FOR PUBLICATION
 © COPYRIGHT 2011 BY ALL RIGHTS RESERVED

LOC	DATE	REVISIONS	DATE	BY	APP
		SEE SHEET 1			

FOR ANY KEYING CONFIGURATION, THERE ARE EIGHT COLORS AVAILABLE. BESIDES THE NATURAL COLOR, THERE ARE OTHER SEVEN COLORS, INCLUDE: YELLOW, BLUE, GREY, PURPLE, RED, GREEN, BLACK. THE WHITE VERSION IS PRELIMINARY. THE P/N OF THE COLOR CONNECTOR ARE BASED ON THE NATURAL CONNECTOR, THE PREFIX AND POSTFIX ARE THE SAME FOR THE SAME KEYING CONFIGURATION, BUT THE BASE NUMBERS ARE DIFFERENT ACCORDING TO DIFFERENT COLOR. THE FOLLOWING SHOWS WHAT'S THE P/N FOR COLOR CONNECTOR



COLOR	PART NUMBER OF THE CONNECTOR				COMMENTS
	WITH MATT TIN PLATING CONTACT		WITH AG PLATING CONTACT		
NATURAL	#-1971845-#	#-1971895-#	#-1971846-#	#-1971896-#	THE DETAIL P/N FOR DIFFERENT KEYING SEE SHEET 2-5
RED	#-1971946-#	#-1971948-#	#-1971947-#	#-1971949-#	THE PREFIX AND POSTFIX ARE THE SAME WITH THE P/N OF THE NATURAL CONNECTOR FOR THE SAME KEYING, POLARIZATION, LATCH WINDOW CONFIGURATION. JUST THE BASE NUMBERS ARE DIFFERENT BASED ON DIFFERENT COLOR. # CAN BE THE NUMBER FROM 0 TO 9. BUT THERE ARE TWO EXEMPTION PART NUMBERS. 1971954-5 (BLUE) AND 1971946-7 (RED).
BLUE	#-1971954-#	#-1971956-#	#-1971955-#	#-1971957-#	
YELLOW	#-2232008-#	#-2232010-#	#-2232009-#	#-2232011-#	
BLACK	#-2232000-#	#-2232002-#	#-2232001-#	#-2232003-#	
GREY	#-2232016-#	#-2232018-#	#-2232017-#	#-2232019-#	
GREEN	#-1971962-#	#-1971964-#	#-1971963-#	#-1971965-#	
PURPLE	#-2232024-#	#-2232026-#	#-2232025-#	#-2232027-#	
WHITE	#-2232289-#	#-2232291-#	#-2232290-#	#-2232292-#	

THERE ARE TWO EXEMPTION FOR COLOR PART NUMBERS

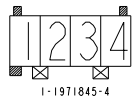


1971954-5 (BLUE)



1971946-7 (RED)

FOR EXAMPLE, IF A CONNECTOR WITH THE CONFIGURATION AS BELOW, AND WITH MATT TIN PLATING CONTACT, IN THE SHEET 4, WE CAN FIND THE RELATED CONNECTOR P/N WITH NATURAL COLOR IS 1-1971845-4, THEN WE CAN LOOK IN THE ABOVE TABLE TO FIND THE CONNECTOR P/N WITH RED COLOR IS 1-1971946-3



1-1971845-4

COLOR	PART NUMBER OF THE CONNECTOR		COMMENTS
	WITH BRIGHT TIN PLATING CONTACT		
NATURAL	#-2232906-#	#-2232907-#	THE KEYING, POLARIZATION AND LATCH WINDOW CONFIGURATION ARE SAME AS THE MATT TIN CONNECTOR WITH THE SAME PREFIX AND POSTFIX FOR EACH COLOR. FOR EXAMPLE: 2232906-4 AND 1971845-4 HAVE SAME KEYING, POLARIZATION AND LATCH WINDOW CONFIGURATION. 2232907-4 AND 1971895-4 HAVE SAME KEYING, POLARIZATION AND LATCH WINDOW CONFIGURATION. THE DETAIL KEYING, POLARIZATION AND LATCH WINDOW CONFIGURATION FOR EACH P/N, PLEASE SEE SHEET 2-5
RED	#-2232908-#	#-2232909-#	
BLUE	#-2232910-#	#-2232911-#	
YELLOW	#-2232912-#	#-2232913-#	
BLACK	#-2232914-#	#-2232915-#	
GREY	#-2232916-#	#-2232917-#	
GREEN	#-2232918-#	#-2232919-#	
PURPLE	#-2232920-#	#-2232921-#	
WHITE	#-2232922-#	#-2232923-#	

THIS DRAWING IS A CONTROLLED DOCUMENT.		REV: 21Jan2013	
DIMENSIONAL mm		APP: 21Jan2013	
		PRODUCT SPEC: 108-108080 APPLICATION SPEC:	PART: RAST 5 TAB HEADER ASSY DIN STYLE, TH. VERTICAL
MATERIAL:		WEIGHT: - FINISH: - ANGLE: -	STEEL CASE CODE: 00779 DRAWING NO: 1971845 RESTRICTED TO: -
Customer Drawing		SCALE: 8:1	SHEET: 6 OF 6