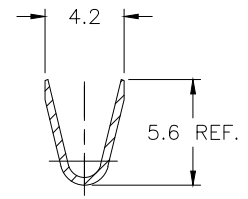
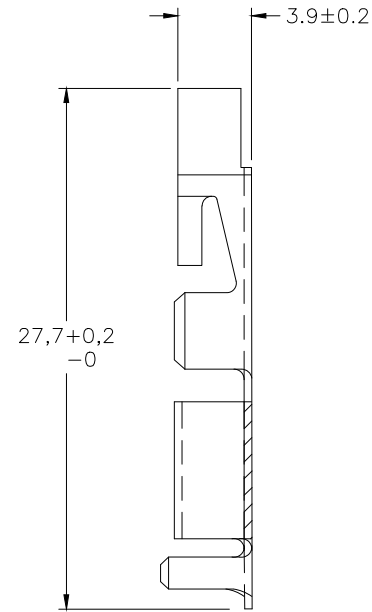
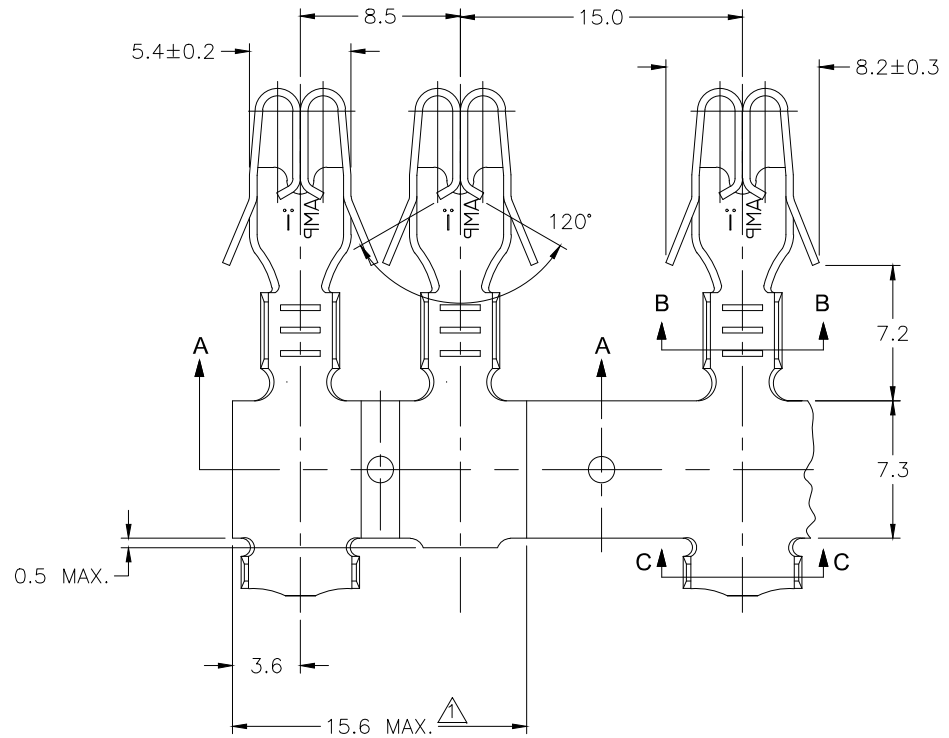
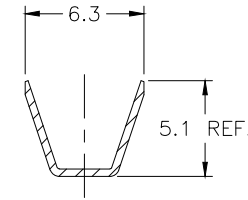




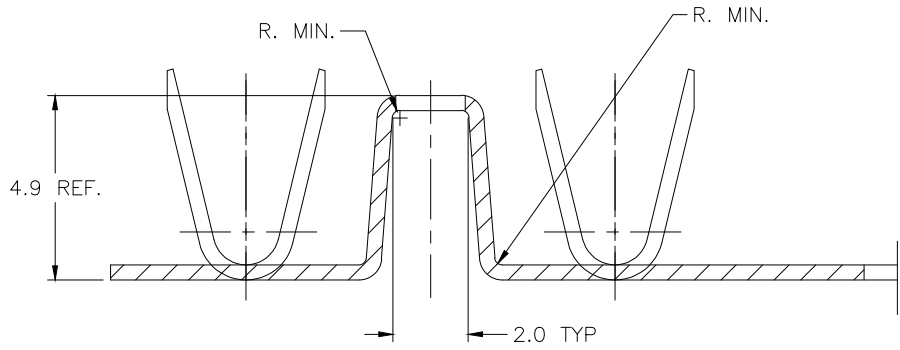
LOC	DIST	REVISIONS			
P	LTR	DESCRIPTION	DATE	DWN	APVD
	F	REVISED DRAWING	ECO-14-015576	14OCT2014	NCL NMS



SECTION B-B



SECTION C-C



SECTION A-A

NOTES:

- DIMENSÃO DE CORTE PARA O APLICADOR
- CUT DIMENSION FOR APPLICATOR

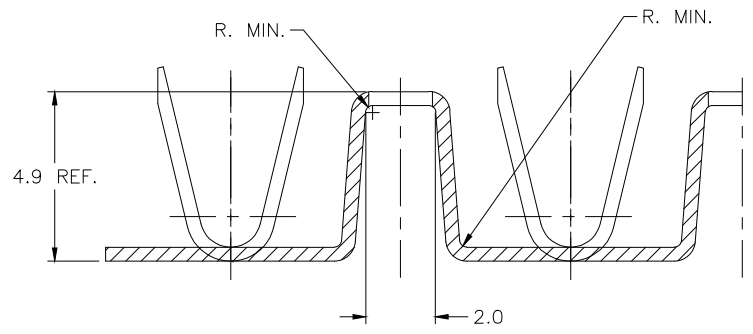
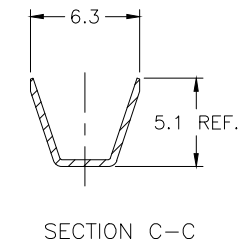
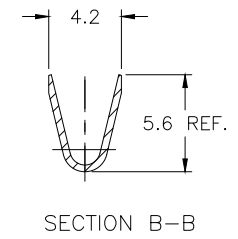
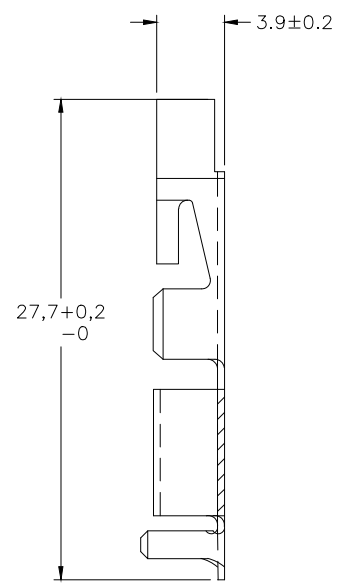
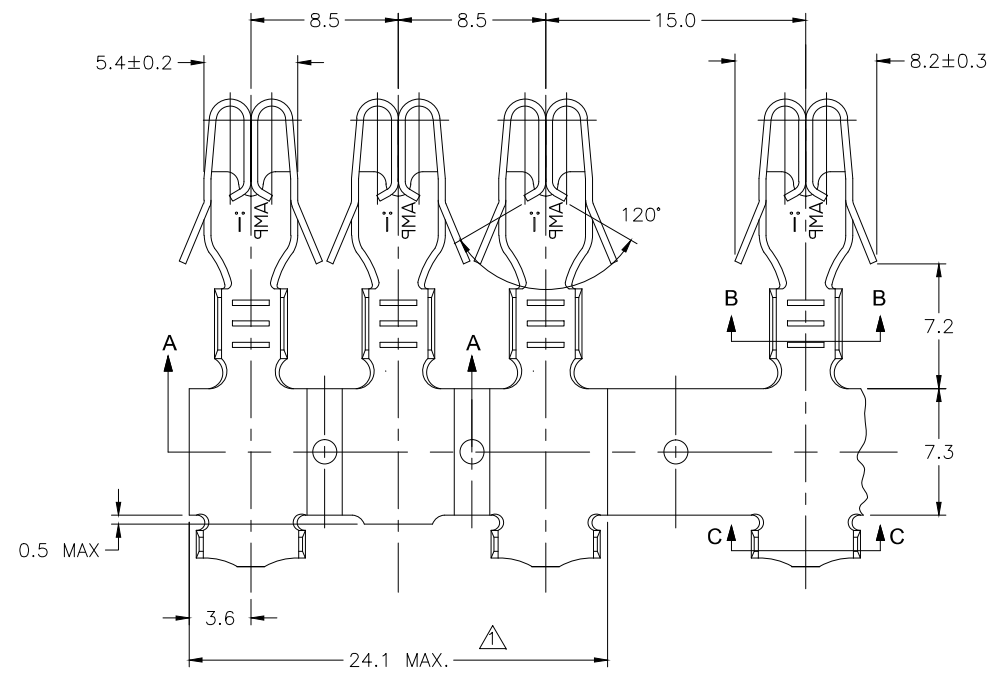
WIRE RANGE	OBSOLETE	ESTANHADO/ TIN-PLATED	COBRE-FERRO/COPPER-IRON	2-880492-3		
2,5 - 4,0mm <sup>2</sup>	2TB-250-101-72-500	PRE-ESTANHADO/ PRE TINNED	LATÃO/BRASS	2-880492-2		
INSUL RANGE			LATÃO/BRASS	2-880492-1		
3,3 - 4,5mm	OTHER TREATMENT	FINISH	MATERIAL	PART NUMBER		
THIS DRAWING IS A CONTROLLED DOCUMENT.		DWN: F.S.MARTINS 03NOV99	TE Connectivity FUSE CONTACT (BUS-BAR)			
DIMENSIONS: mm		CHK: P.L.FARIA 07JAN00				
TOLERANCES UNLESS OTHERWISE SPECIFIED: 0 PLC ± - 1 PLC ± 0,5 2 PLC ± - 3 PLC ± - 4 PLC ± - ANGLES ± 1°		APVD: F.ALEXANDRONI 10JAN00				
MATERIAL	FINISH	WEIGHT	SIZE	CAGE CODE	DRAWING NO	RESTRICTED TO
SEE TABLE	SEE TABLE	-	A2	00779	C=880492	-
CUSTOMER DRAWING			SCALE	SHEET	REV	
			5:1	1 of 3	F	

880492

THIS DRAWING IS UNPUBLISHED. RELEASED FOR PUBLICATION  
 © COPYRIGHT -- By -- ALL RIGHTS RESERVED.

CAD  
 DO NOT REVISE  
 EXCEPT BY CAD

LOC	DIST	REVISIONS			
P	LTR	DESCRIPTION	DATE	DWN	APVD
AP		SEE SHEET 1			



NOTES:  
 ▲ -DIMENSÃO DE CORTE PARA O APLICADOR  
 ▲ -CUT DIMENSION FOR APPLICATOR

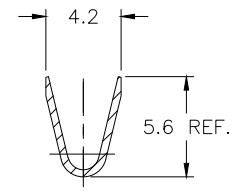
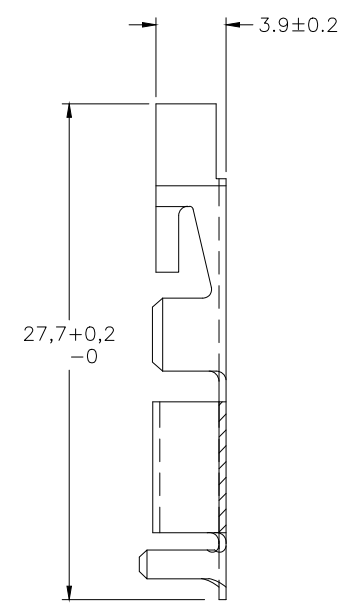
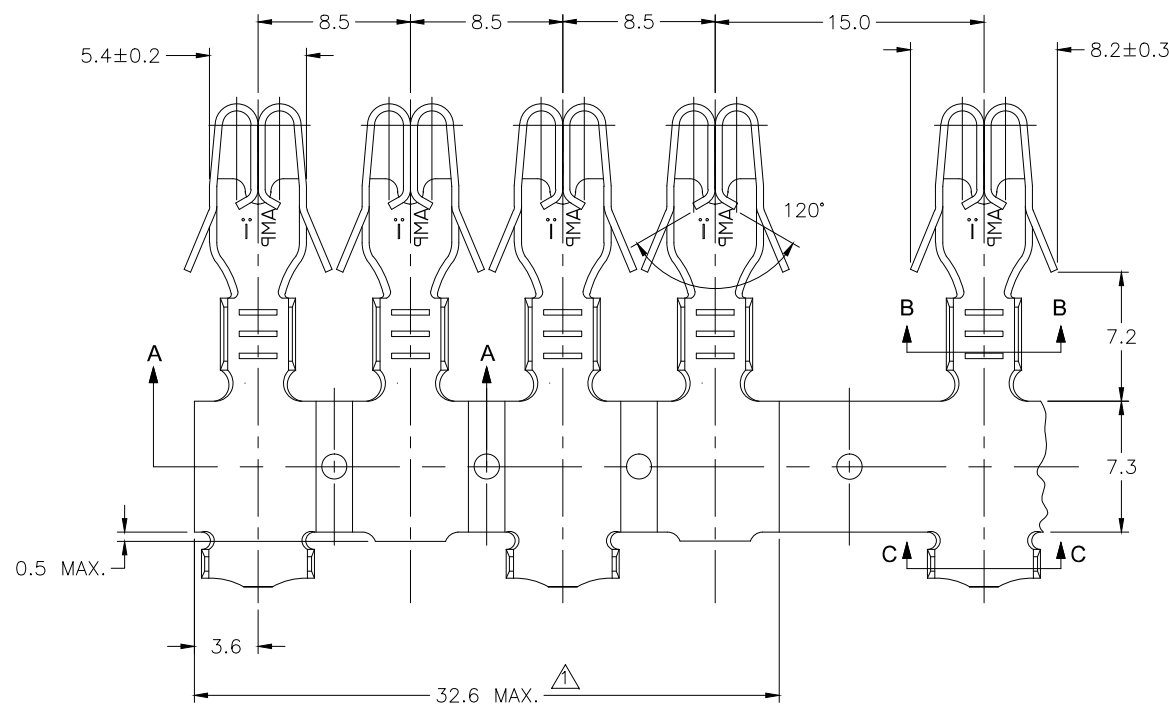
WIRE RANGE	2,5 - 4,0mm <sup>2</sup>	3TB-250-101-72-500	ESTANHADO/ TIN PLATED	COBRE-FERRO/COPPER IRON	3-880492-3												
INSUL. RANGE	3,3 - 4,5mm		PRE-ESTANHADO/PRE TINNED	LATÃO/BRASS	3-880492-2												
			OTHER TREATMENT	FINISH	MATERIAL												
					PART NUMBER												
THIS DRAWING IS A CONTROLLED DOCUMENT.		DWN F.S.MARTINS 07JAN00	TE Connectivity														
DIMENSIONS: mm		TOLERANCES UNLESS OTHERWISE SPECIFIED: mm	APVD F.ALEXANDRONI 10JAN00	NAME FUSE CONTACT (BUS-BAR)													
<table border="1"> <tr><td>0 PLC</td><td>± -</td></tr> <tr><td>1 PLC</td><td>± 0,5</td></tr> <tr><td>2 PLC</td><td>± -</td></tr> <tr><td>3 PLC</td><td>± -</td></tr> <tr><td>4 PLC</td><td>± -</td></tr> <tr><td>ANGLES</td><td>± 0°30'</td></tr> </table>		0 PLC	± -	1 PLC	± 0,5	2 PLC	± -	3 PLC	± -	4 PLC	± -	ANGLES	± 0°30'	PRODUCT SPEC	APPLICATION SPEC	SIZE	CAGE CODE
0 PLC	± -																
1 PLC	± 0,5																
2 PLC	± -																
3 PLC	± -																
4 PLC	± -																
ANGLES	± 0°30'																
MATERIAL	FINISH	WEIGHT	DRAWING NO		RESTRICTED TO												
SEE TABLE	SEE TABLE		A2 00779 ©=880492														
CUSTOMER DRAWING			SCALE	SHEET	REV												
			5:1	2 of 3	F												

880492

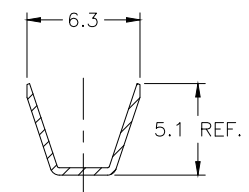
THIS DRAWING IS UNPUBLISHED. RELEASED FOR PUBLICATION  
 © COPYRIGHT - By - ALL RIGHTS RESERVED.

LOC	DIST	REVISIONS					
AP	-	P	LTR	DESCRIPTION	DATE	DWN	APVD
		-		SEE SHEET 1	-	-	-

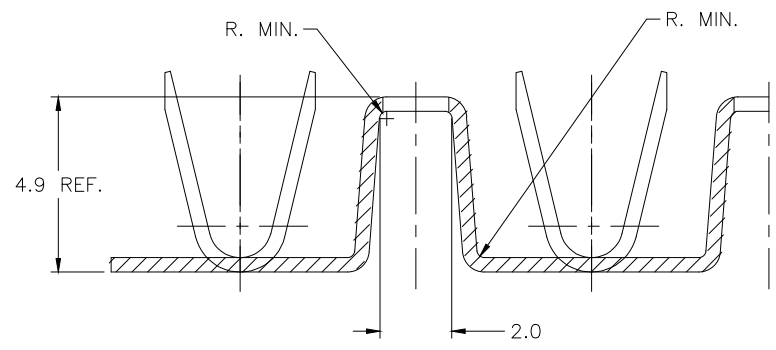
CAD  
 DO NOT REVISE  
 EXCEPT BY CAD



SECTION B-B



SECTION C-C



SECTION A-A

NOTES:

- △ - DIMENSÃO DE CORTE PARA O APLICADOR
- △ - CUT DIMENSION FOR APPLICATOR

	OBSOLETE	ESTANHADO/TIN-PLATED	COBRE-FERRO/COPPER-IRON	4-880492-3
WIRE RANGE	4TB-250-101-72-500	PRE-ESTANHADO/PRE-TINNED	LATÃO/BRASS	4-880492-2
INSUL. RANGE	2,5 - 4,0mm	-	LATÃO/BRASS	4-880492-1
	3,3 - 4,5mm	OTHER TREATMENT	FINISH	MATERIAL
THIS DRAWING IS A CONTROLLED DOCUMENT.		DWN	03NOV99	
		DW	07JAN00	
		APVD	10JAN00	
DIMENSIONS:		TE Connectivity		
mm		FUSE CONTACT (BUS-BAR)		
TOLERANCES UNLESS OTHERWISE SPECIFIED:		APPLICATION SPEC		
0 FLC ± -		SIZE		
1 FLC ± 0,5		CAGE CODE		
2 FLC ± -		DRAWING NO		
3 FLC ± -		RESTRICTED TO		
4 FLC ± -		WEIGHT		
ANGLES ± 1°		A2 00779 C=880492		
MATERIAL	FINISH	CUSTOMER DRAWING		
SEE TABLE	SEE TABLE	SCALE 5:1 SHEET 3 of 3 REV F		

880492