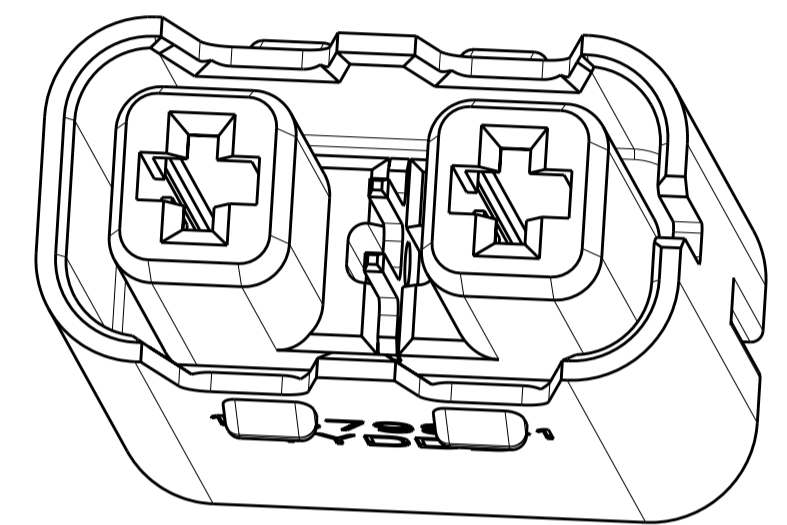
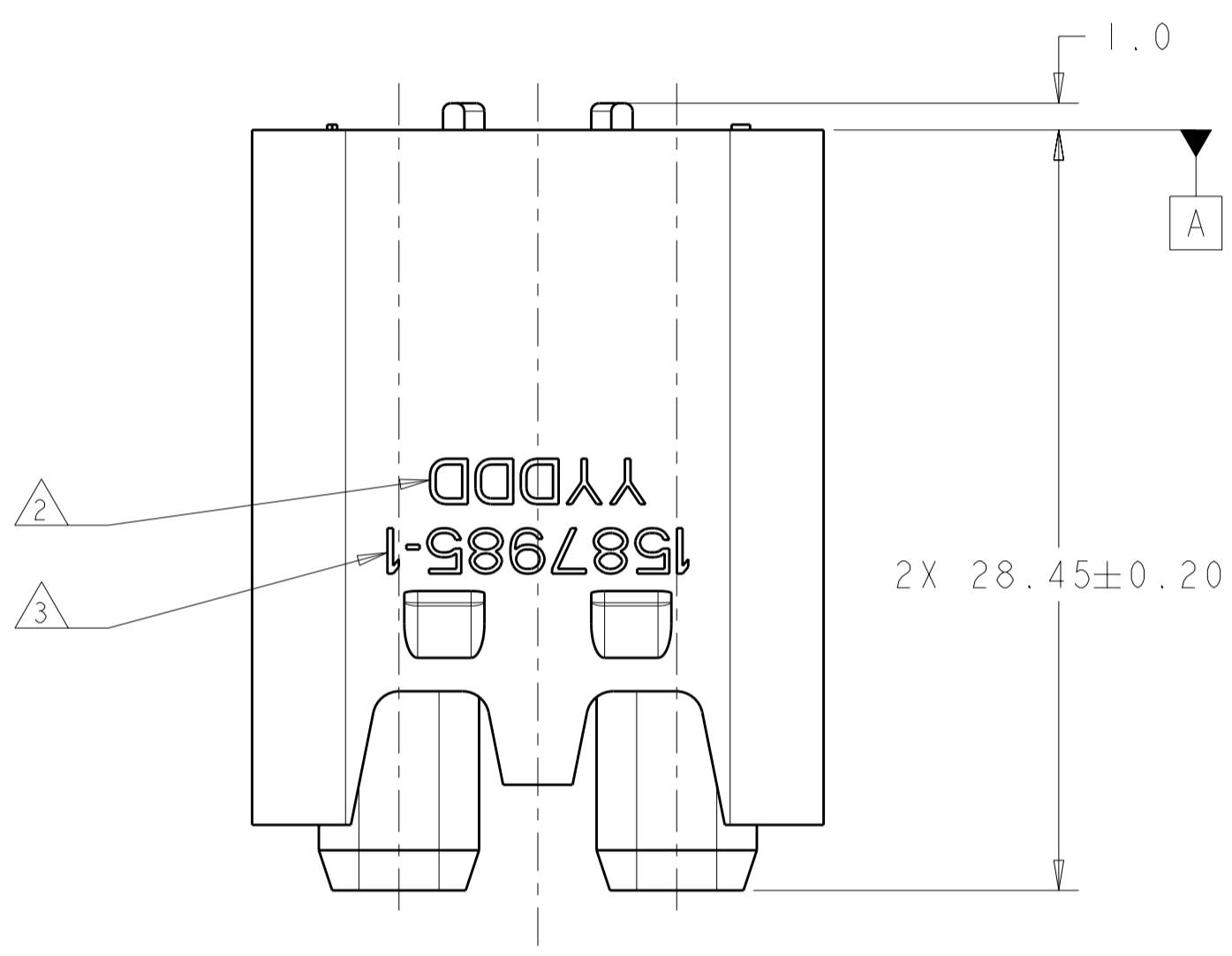
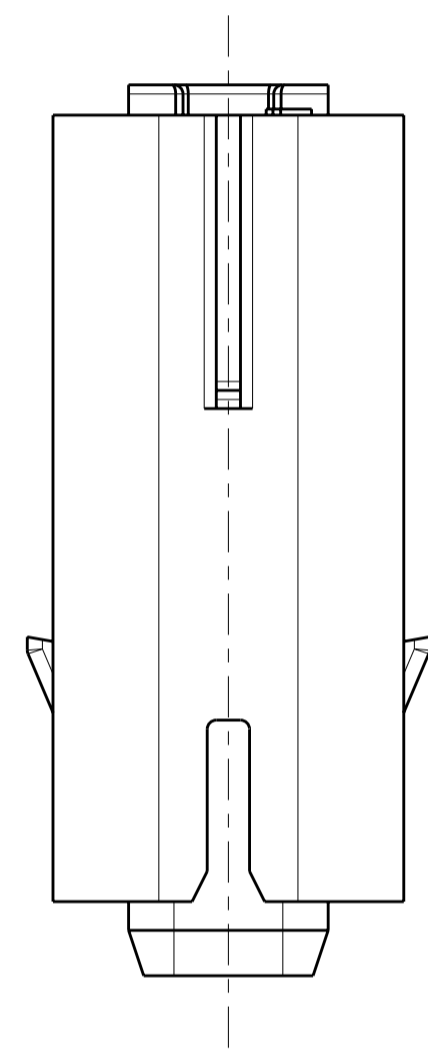
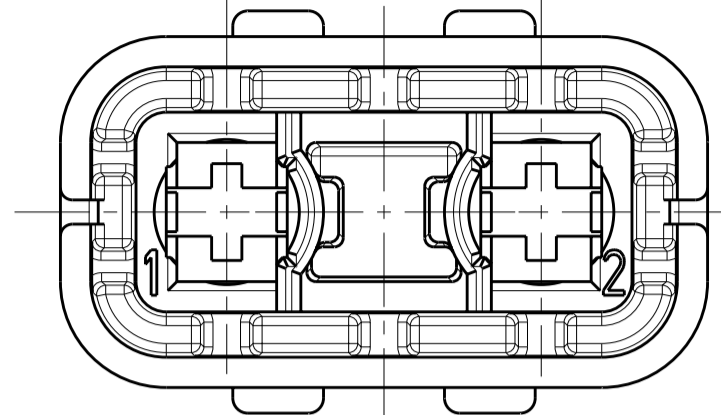


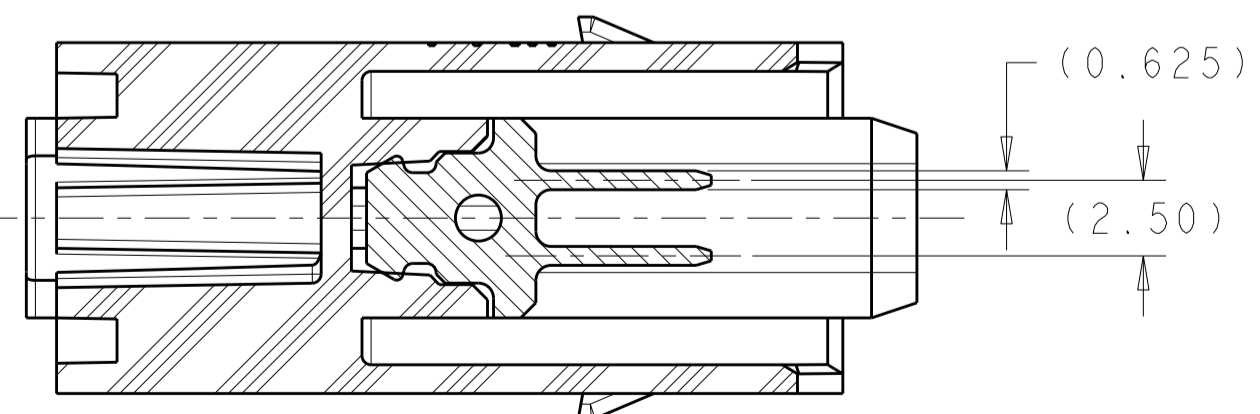
THIS DRAWING IS UNPUBLISHED. RELEASED FOR PUBLICATION 20
 © COPYRIGHT 20 BY TYCO ELECTRONICS CORPORATION ALL RIGHTS RESERVED.

LOC	DIST	REVISIONS			
P	LTR	DESCRIPTION	DATE	DWN	APVD
	A	ECO-12-005270	16MAR2012	DR	DR

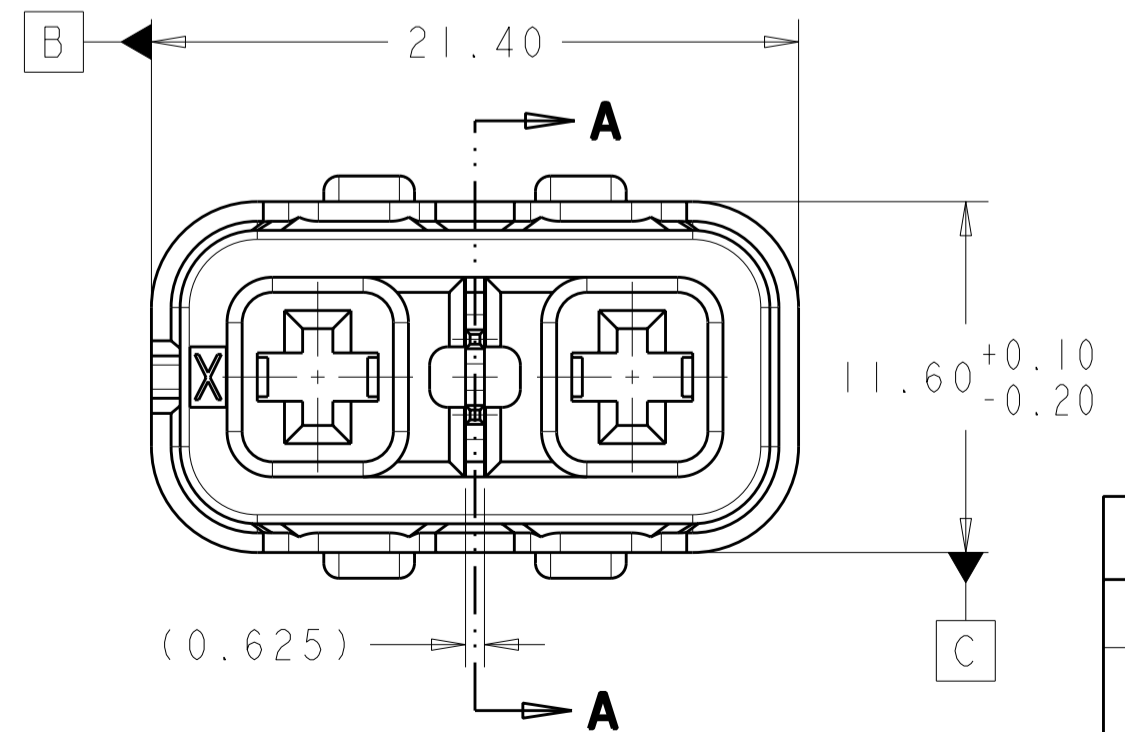
(5.20) (5.20)



- ⚠ SHUNT MUST BE INSTALLED AS SHOWN
- ⚠ JULIAN DATE CODE IN THIS LOCATION AT ASSEMBLY
- ⚠ TE PART NUMBER IN THIS LOCATION AT ASSEMBLY



SECTION A-A



1587985-1
PART NUMBER

THIS DRAWING IS A CONTROLLED DOCUMENT.		DWN D. RHEIN 30MAR2011	TE Connectivity	
DIMENSIONS: mm		CHK D. RHEIN 30MAR2011		
TOLERANCES UNLESS OTHERWISE SPECIFIED:		APVD J. BOLEWITZ 30MAR2011	NAME SUBASSY, INNER HOUSING HVA280-2PHM	
0 PLC ± 1 PLC ±0.2 2 PLC ±0.10 3 PLC ± 4 PLC ± ANGLES ±° FINISH		PRODUCT SPEC	SIZE A200779	CAGE CODE C-1587985
MATERIAL		APPLICATION SPEC	RESTRICTED TO	
		WEIGHT	SCALE 4:1 SHEET 1 OF 1 REV A	
		CUSTOMER DRAWING		