

1827120-1 ✓ ACTIVE

AMP | AMP Auto Squib Products

TE Internal #: 1827120-1

Black, PBT GF, -30 – 80 °C [-22 – 176 °F], AMP Auto Squib Products

[View on TE.com >](#)



Automotive Parts > Automotive Connector Accessories > Automotive Connector Locks & Position Assurance



Primary Product Color: **Black**

Primary Product Material: **PBT GF**

Operating Temperature Range: **-30 – 80 °C [-22 – 176 °F]**

## Features

### Product Type Features

|          |    |
|----------|----|
| Sealable | No |
|----------|----|

### Body Features

|                          |        |
|--------------------------|--------|
| Primary Product Color    | Black  |
| Primary Product Material | PBT GF |

### Usage Conditions

|                             |                           |
|-----------------------------|---------------------------|
| Operating Temperature Range | -30 – 80 °C[-22 – 176 °F] |
|-----------------------------|---------------------------|

### Industry Standards

|                        |         |
|------------------------|---------|
| UL Flammability Rating | UL 94HB |
|------------------------|---------|

### Packaging Features

|                    |      |
|--------------------|------|
| Packaging Method   | Bag  |
| Packaging Quantity | 1000 |

### Other

|             |    |
|-------------|----|
| Serviceable | No |
|-------------|----|

## Product Compliance

[For compliance documentation, visit the product page on TE.com>](#)

|   |   |
|---|---|
| EU RoHS Directive 2011/65/EU                  | Compliant                                   |
| EU ELV Directive 2000/53/EC                   | Compliant                                   |
| China RoHS 2 Directive MIIT Order No 32, 2016 | No Restricted Materials Above Threshold     |
| EU REACH Regulation (EC) No. 1907/2006        | Current ECHA Candidate List: JAN 2025 (247) |

Candidate List Declared Against: JAN 2025  
(247)

Does not contain REACH SVHC

Halogen Content

Low Halogen - Br, Cl, F, I < 900 ppm per homogenous material. Also BFR/CFR/PVC Free

Solder Process Capability

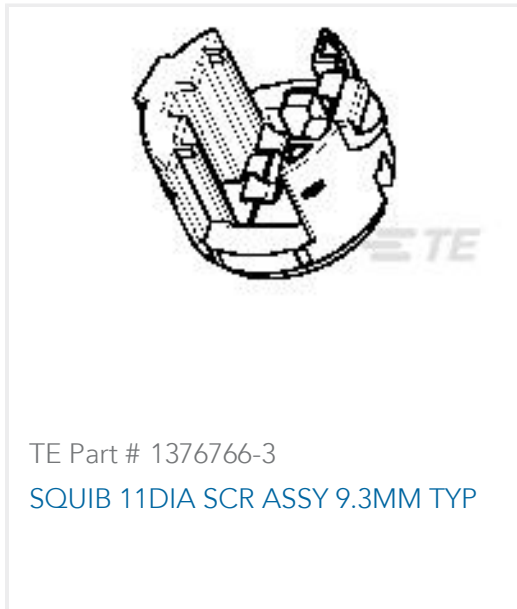
Not applicable for solder process capability

Product Compliance Disclaimer

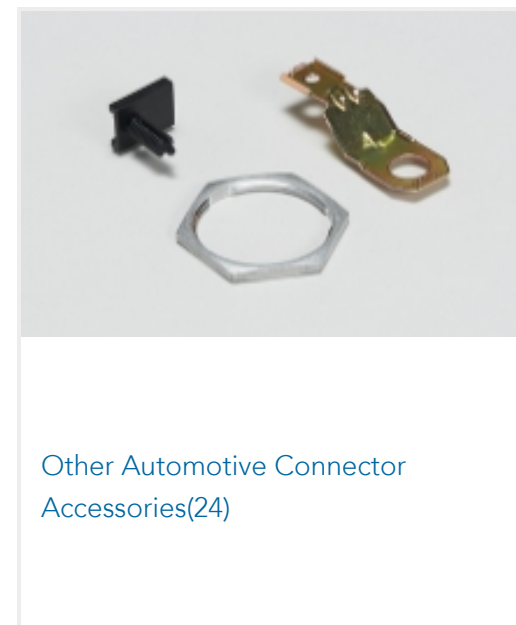
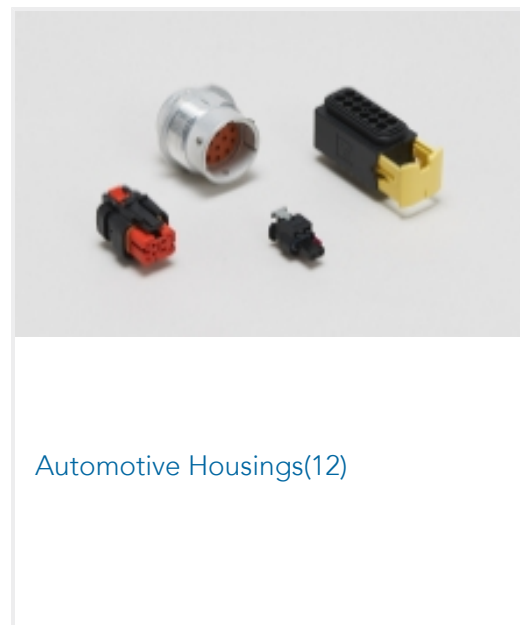
This information is provided based on reasonable inquiry of our suppliers and represents our current actual knowledge based on the information they provided. This information is subject to change. The part numbers that TE has identified as EU RoHS compliant have a maximum concentration of 0.1% by weight in homogenous materials for lead, hexavalent chromium, mercury, PBB, PBDE, DBP, BBP, DEHP, DIBP, and 0.01% for cadmium, or qualify for an exemption to these limits as defined in the Annexes of Directive 2011/65/EU (RoHS2). Finished electrical and electronic equipment products will be CE marked as required by Directive 2011/65/EU. Components may not be CE marked. Additionally, the part numbers that TE has identified as EU ELV compliant have a maximum concentration of 0.1% by weight in homogenous materials for lead, hexavalent chromium, and mercury, and 0.01% for cadmium, or qualify for an exemption to these limits as defined in the Annexes of Directive 2000/53/EC (ELV). Regarding the REACH Regulation, the information TE provides on SVHC in articles for this part number is based on the latest European Chemicals Agency (ECHA) 'Guidance on requirements for substances in articles' posted at this URL: <https://echa.europa.eu/guidance-documents/guidance-on-reach>

## Compatible Parts

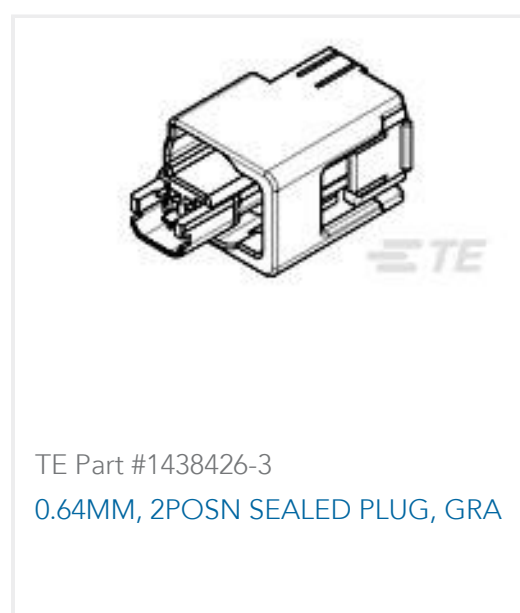




### Also in the Series | AMP Auto Squib Products



### Customers Also Bought





## Documents

### Product Drawings

#### SQUIB LOCKING BUTTON

Japanese

---

### CAD Files

#### Customer View Model

[ENG\\_CVM\\_CVM\\_1827120-1\\_A.2d\\_dxf.zip](#)

English

#### 3D PDF

3D

#### Customer View Model

[ENG\\_CVM\\_CVM\\_1827120-1\\_A.3d\\_igs.zip](#)

English

#### Customer View Model

[ENG\\_CVM\\_CVM\\_1827120-1\\_A.3d\\_stp.zip](#)

English

By downloading the CAD file I accept and agree to the [Terms and Conditions](#) of use.

---

### Product Specifications

#### 11DIA SQUIB CONNECTOR COMPACT TYPE

Japanese

#### SQUIB Connector 11DIA

Japanese

#### Product Specification

Japanese

#### SQUIB Connector 11DIA

Japanese

#### Product Specification

Japanese

---

### Instruction Sheets

#### Instruction Sheet (non U.S.)

Japanese