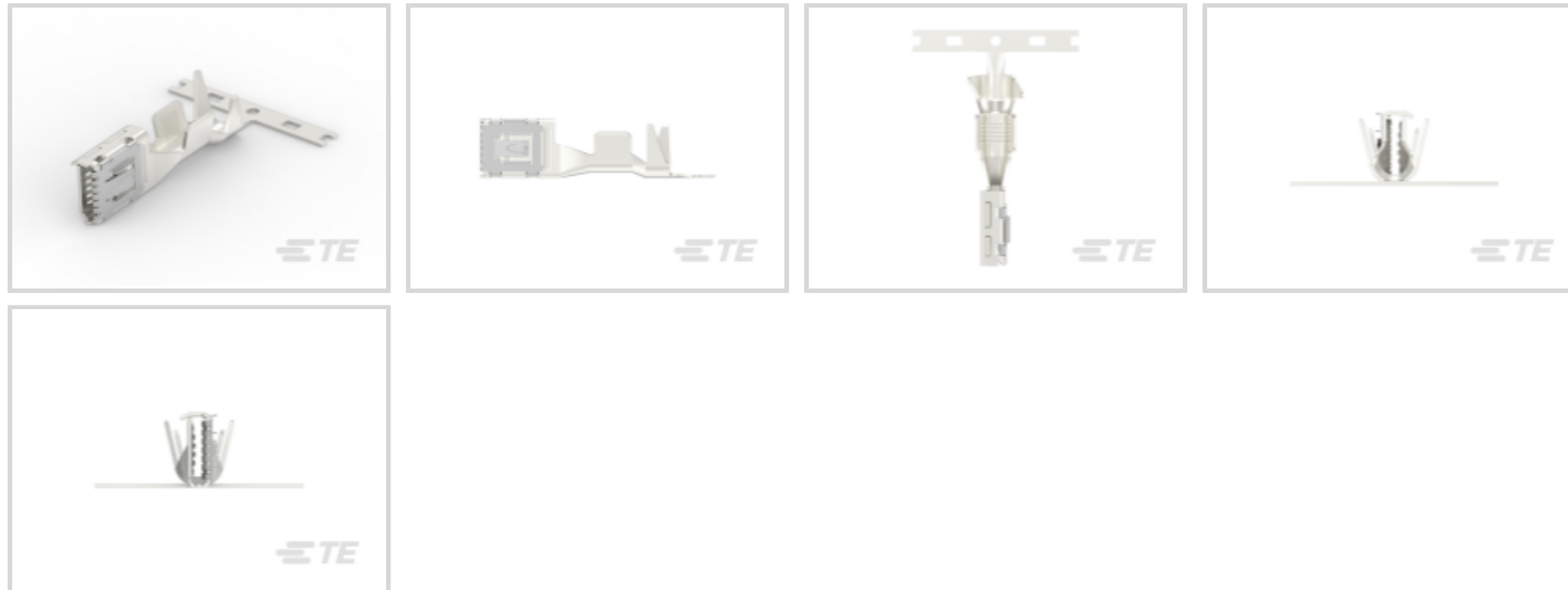




Automotive Parts > Automotive Terminals



Terminal Type: **Receptacle**

Wire Size: **8 – 7 AWG**

Mating Tab Width: **9.5 mm [.374 in]**

Interface Plating: **Silver (Ag)**

Features

Product Type Features

Receptacle Style	180°
Primary Locking Feature	Locking Lance
Sealable	No

Contact Features

Crimp Type	F-Crimp
Contact Size	9.5mm
Contact Fabrication	Stamped & Formed
Wire Contact Termination Area Plating Material	Tin
Terminal Type	Receptacle
Mating Tab Width	9.5 mm[.374 in]
Interface Plating	Silver (Ag)
Mating Tab Thickness	1.2 mm[.047 in]

Termination Features

Termination Method to Wire & Cable	Crimp
Product Terminates To	Wire



Dimensions

Wire Size	8 – 7 AWG
Wire Size Search	8 mm ² , 10 mm ²
Tab Length	36.1 mm[1.42 in]

Usage Conditions

Insulation Option	Uninsulated
Operating Temperature (Max)	150 °C[302 °F]
Operating Temperature Range	-40 – 150 °C[-40 – 302 °F]

Operation/Application

Compatible With Wire Base Material	Copper
------------------------------------	--------

Packaging Features

Packaging Method	Reel
Packaging Quantity	500

Other

Terminal Transmits	41 – 100 A (High Power)
--------------------	-------------------------

Product Compliance

[For compliance documentation, visit the product page on TE.com>](#)

EU RoHS Directive 2011/65/EU	Compliant
EU ELV Directive 2000/53/EC	Compliant
China RoHS 2 Directive MIIT Order No 32, 2016	有害物质含量符合标准要求 No Restricted Substance(s) Above Threshold
EU REACH Regulation (EC) No. 1907/2006	Current ECHA Candidate List: JUNE 2025 (250) Candidate List Declared Against: JUNE 2025 (250) Does not contain REACH SVHC
Halogen Content	Low Halogen - Br, Cl, F < 900 ppm per homogenous material. Also BFR/CFR/PVC Free
Solder Process Capability	Not reviewed for solder process capability

Product Compliance Disclaimer

This information is provided based on reasonable inquiry of our suppliers and represents our current actual knowledge based on the information they provided. This information is subject to change. The part numbers that TE has identified as EU RoHS compliant have a maximum concentration of 0.1% by weight in homogenous materials for lead, hexavalent chromium, mercury, PBB, PBDE, DBP, BBP, DEHP, DIBP, and 0.01% for cadmium, or qualify for an exemption to these



limits as defined in the Annexes of Directive 2011/65/EU (RoHS2). Finished electrical and electronic equipment products will be CE marked as required by Directive 2011/65/EU. Components may not be CE marked. Additionally, the part numbers that TE has identified as EU ELV compliant have a maximum concentration of 0.1% by weight in homogenous materials for lead, hexavalent chromium, and mercury, and 0.01% for cadmium, or qualify for an exemption to these limits as defined in the Annexes of Directive 2000/53/EC (ELV). Regarding the REACH Regulation, the information TE provides on SVHC in articles for this part number is based on the latest European Chemicals Agency (ECHA) 'Guidance on requirements for substances in articles' posted at this URL: <https://echa.europa.eu/guidance-documents/guidance-on-reach>

Compatible Parts



TE Part # 2-2292382-3
TAB9.5X1.2 CONTACT FOR 10QMM WIRE

Also in the Series | MCON Interconnection System



Automotive Connector Caps & Covers (42)



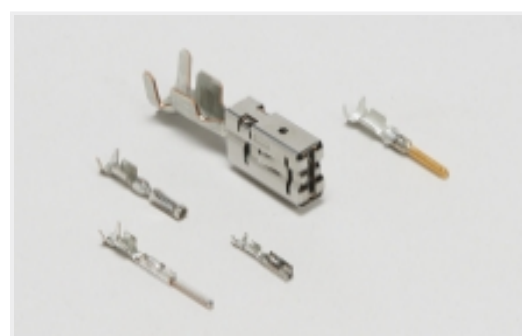
Automotive Housings(116)



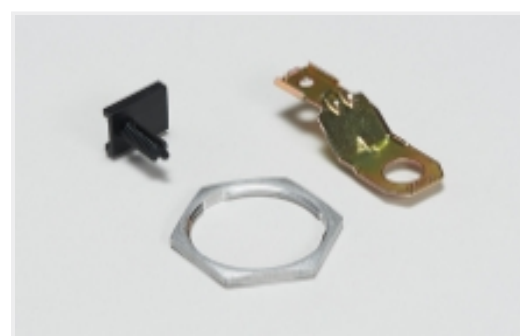
Automotive Seals & Cavity Plugs(12)



Automotive Signal & Power Headers(4)

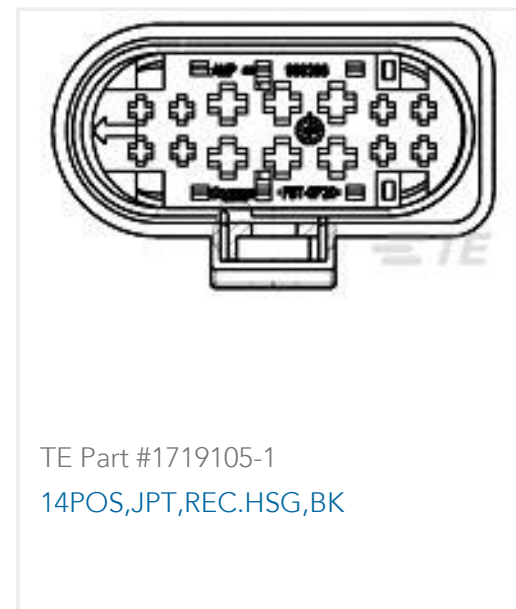
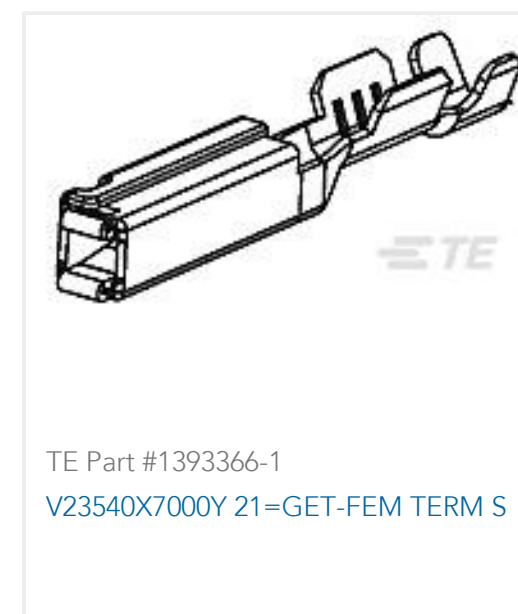
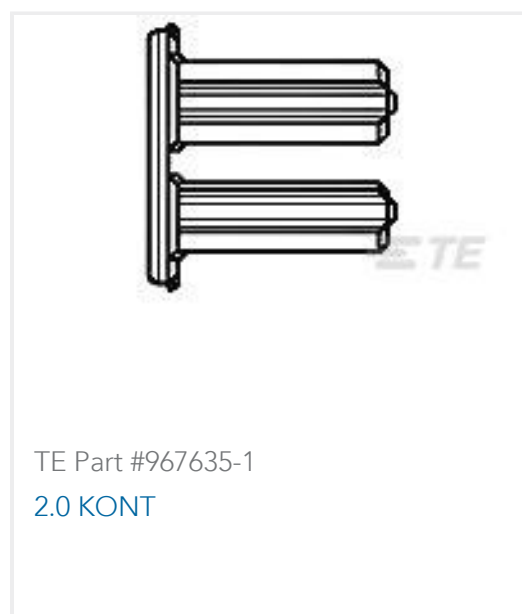


Automotive Terminals(24)



Other Automotive Connector Accessories(1)

Customers Also Bought



Documents

Product Drawings

[MCON 9.5, 10SQMM ASSY 1,2MM TAB](#)

English

[MCON 9.5, 10SQMM ASSY 1,2MM TAB](#)

English

CAD Files

[3D PDF](#)

3D

Customer View Model

[ENG_CVM_CVM_2-1563842-3_A.2d_dxf.zip](#)

English

Customer View Model

[ENG_CVM_CVM_2-1563842-3_A.3d_igs.zip](#)

English

Customer View Model

[ENG_CVM_CVM_2-1563842-3_A.3d_stp.zip](#)

English

By downloading the CAD file I accept and agree to the [Terms and Conditions](#) of use.

Product Specifications

[Application Specification](#)

English