

2389806-1 ✓ ACTIVE

AMP | AMPSEAL

TE Internal #: 2389806-1

23 Position, Black, Backshell, PBT GF15, 180 ° Cable Exit, -40 – 125 °

C [-40 – 257 °F], AMPSEAL

[View on TE.com >](#)



Automotive Parts > Automotive Connector Accessories > Automotive Connector Caps & Covers > AMPSEAL Backshells



Number of Positions: **23**

Primary Product Color: **Black**

Protection & Strain Relief Accessory Type: **Backshell**

Primary Product Material: **PBT GF15**

Cable Exit Angle: **180 °**

[All AMPSEAL Backshells \(4\)](#)

Features

Product Type Features

Protection & Strain Relief Accessory Type	Backshell
---	-----------

Configuration Features

Number of Positions	23
---------------------	----

Body Features

Primary Product Color	Black
-----------------------	-------

Primary Product Material	PBT GF15
--------------------------	----------

Cable Exit Angle	180 °
------------------	-------

Mechanical Attachment

Strain Relief	With
---------------	------

Usage Conditions

Operating Temperature (Max)	125 °C[257 °F]
-----------------------------	----------------

Operating Temperature Range	-40 – 125 °C[-40 – 257 °F]
-----------------------------	----------------------------



Packaging Features

Packaging Method	Package
------------------	---------

Product Compliance

[For compliance documentation, visit the product page on TE.com>](#)

EU RoHS Directive 2011/65/EU	Compliant
EU ELV Directive 2000/53/EC	Compliant
China RoHS 2 Directive MIIT Order No 32, 2016	有害物质含量符合标准要求 No Restricted Substance(s) Above Threshold
EU REACH Regulation (EC) No. 1907/2006	Current ECHA Candidate List: JUNE 2025 (250) Candidate List Declared Against: JUNE 2025 (250) Does not contain REACH SVHC
Halogen Content	Low Halogen - Br, Cl, F < 900 ppm per homogenous material. Also BFR/CFR/PVC Free
Solder Process Capability	Not reviewed for solder process capability

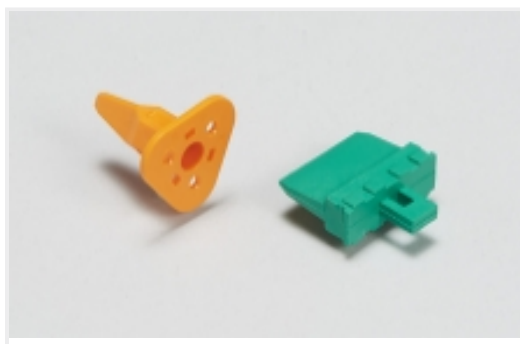
Product Compliance Disclaimer

This information is provided based on reasonable inquiry of our suppliers and represents our current actual knowledge based on the information they provided. This information is subject to change. The part numbers that TE has identified as EU RoHS compliant have a maximum concentration of 0.1% by weight in homogenous materials for lead, hexavalent chromium, mercury, PBB, PBDE, DBP, BBP, DEHP, DIBP, and 0.01% for cadmium, or qualify for an exemption to these limits as defined in the Annexes of Directive 2011/65/EU (RoHS2). Finished electrical and electronic equipment products will be CE marked as required by Directive 2011/65/EU. Components may not be CE marked. Additionally, the part numbers that TE has identified as EU ELV compliant have a maximum concentration of 0.1% by weight in homogenous materials for lead, hexavalent chromium, and mercury, and 0.01% for cadmium, or qualify for an exemption to these limits as defined in the Annexes of Directive 2000/53/EC (ELV). Regarding the REACH Regulation, the information TE provides on SVHC in articles for this part number is based on the latest European Chemicals Agency (ECHA) 'Guidance on requirements for substances in articles' posted at this URL: <https://echa.europa.eu/guidance-documents/guidance-on-reach>

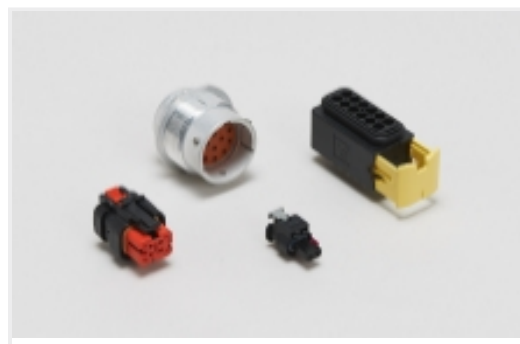
Compatible Parts



Also in the Series | **AMPSEAL**



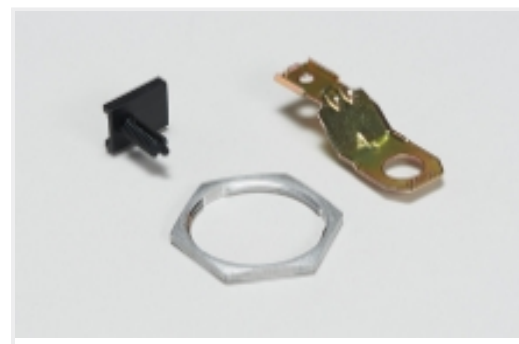
Automotive Connector Locks & Position Assurance(1)



Automotive Housings(34)

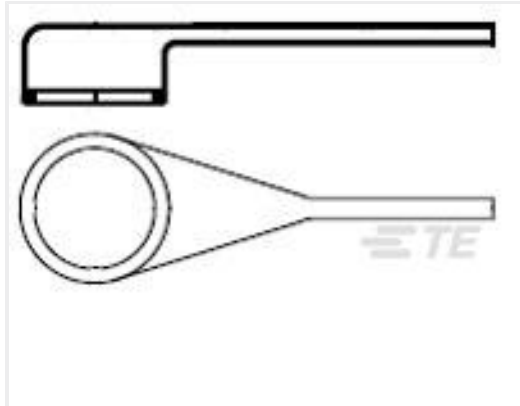


Automotive Seals & Cavity Plugs(2)

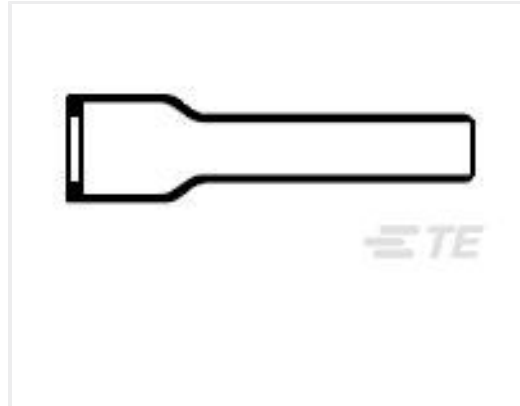


Other Automotive Connector Accessories(2)

Customers Also Bought



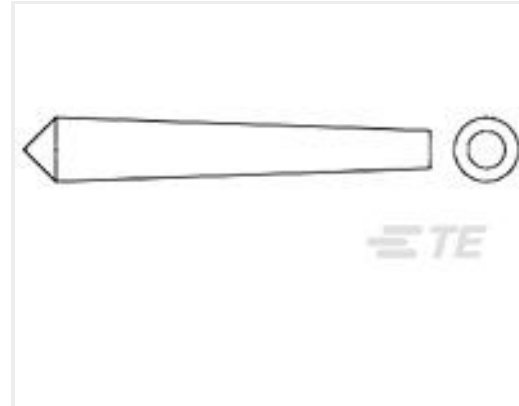
TE Part #808083-000
222D932-12-0



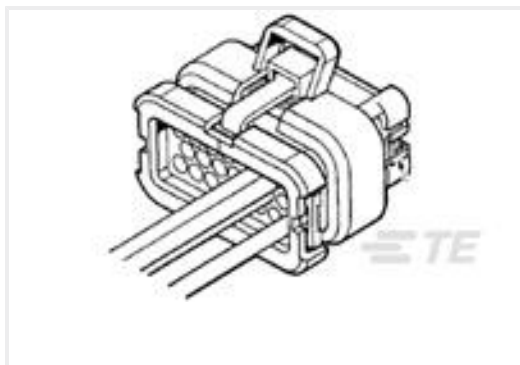
TE Part #811134-000
202D221-12-0



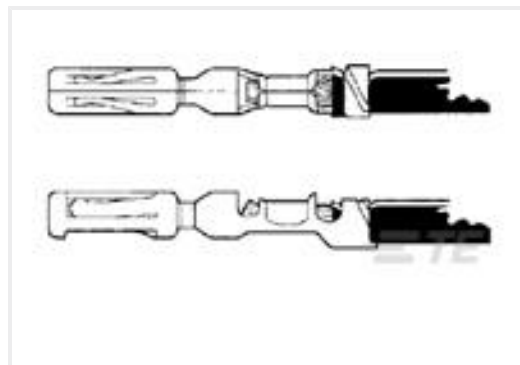
TE Part #K1167031
Relay (HVR) 60-311-12-905



TE Part #770678-1
SEAL PLUG, AMPSEAL



TE Part #770680-1
23POS,AMPSEAL,SOC HSG ASSY,SLD, COD 1



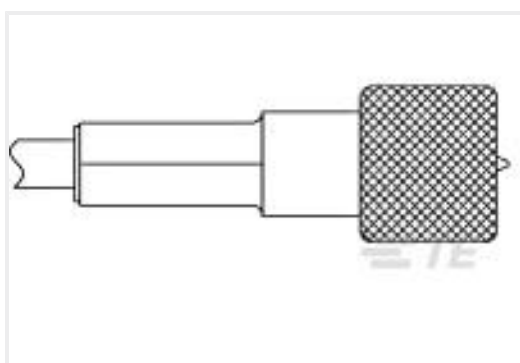
TE Part #770854-1
CONTACT, AMPSEAL SN/LP



TE Part #1744036-6
06P ECONOMY POWER .200 CL HSG



TE Part #CAT-AM78-B128
AMPSEAL Backshells



TE Part #1466110-1
13201140002

Documents

Product Drawings

[STRAIN RELIEF,23 POSITION AMPSEAL](#)

English

CAD Files

[3D PDF](#)

3D

[Customer View Model](#)

[ENG_CVM_CVM_2389806-1_A.2d_dxf.zip](#)



English

Customer View Model

[ENG_CVM_CVM_2389806-1_A.3d_igs.zip](#)

English

Customer View Model

[ENG_CVM_CVM_2389806-1_A.3d_stp.zip](#)

English

By downloading the CAD file I accept and agree to the [Terms and Conditions](#) of use.

Datasheets & Catalog Pages

[AMPSEAL Connector Series](#)

English

Product Specifications

[Application Specification](#)

English