

33469 ✓ ACTIVE

SOLISTRAND

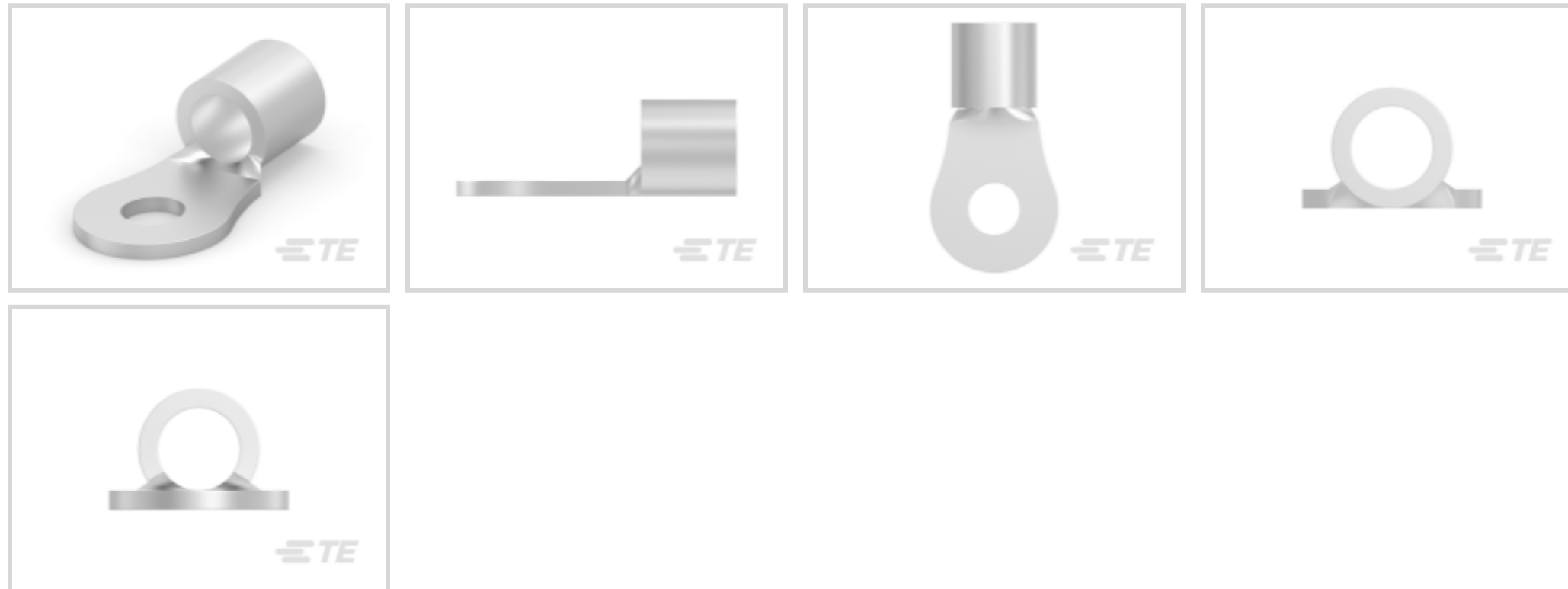
TE Internal #: 33469

Closed Ring Tongue Terminal, 4 AWG, 1/4 / M6 Stud, 6.73 mm [.265 in] Stud Diameter, Closed Barrel, Straight, Tin Plating, Uninsulated

[View on TE.com >](#)



Terminals & Splices > Ring Terminals



Ring Terminal Product Type: Closed Ring Tongue Terminal

Wire Size: 33100 – 52600 CMA

Stud Size: 1/4, M6

Features

Product Type Features

Ring Terminal Product Type	Closed Ring Tongue Terminal
Stud Size	1/4, M6
Sealable	No
Wire Insulation Support Retention Type	Non-Insulation Support

Configuration Features

Number of Holes	1
-----------------	---

Contact Features

Barrel Type	Closed
Terminal Orientation	Straight
Terminal Plating Material	Tin

Mechanical Attachment

Wire Insulation Support	Without
-------------------------	---------

Dimensions

Wire Size	33100 – 52600 CMA
Stud Diameter	6.73 mm [.265 in]



Tongue Thickness	1.78 mm[.07 in]
Product Length	33.38 mm[1.314 in]
Barrel Inside Diameter	7.52 mm[.296 in]

Usage Conditions

Insulation Option	Uninsulated
Operating Temperature Range	0 – 170 °C[0 – 338 °F]

Operation/Application

Compatible With Wire Base Material	Copper
Compatible With Wire Plating Material	Tin

Industry Standards

Government Qualified Terminal	No
-------------------------------	----

Packaging Features

Packaging Quantity	100
Packaging Method	Loose Piece

Product Compliance

[For compliance documentation, visit the product page on TE.com>](#)

EU RoHS Directive 2011/65/EU	Compliant
EU ELV Directive 2000/53/EC	Compliant
China RoHS 2 Directive MIIT Order No 32, 2016	有害物质含量符合标准要求 No Restricted Substance(s) Above Threshold
EU REACH Regulation (EC) No. 1907/2006	Current ECHA Candidate List: JUNE 2025 (250) Candidate List Declared Against: JUNE 2025 (250) Does not contain REACH SVHC
Halogen Content	Low Halogen - Br, Cl, F < 900 ppm per homogenous material. Also BFR/CFR/PVC Free
Solder Process Capability	Not applicable for solder process capability


Product Compliance Disclaimer

This information is provided based on reasonable inquiry of our suppliers and represents our current actual knowledge based on the information they provided. This information is subject to change. The part numbers that TE has identified as EU RoHS compliant have a maximum concentration of 0.1% by weight in homogenous materials for lead, hexavalent chromium, mercury, PBB, PBDE, DBP, BBP, DEHP, DIBP, and 0.01% for cadmium, or qualify for an exemption to these limits as defined in the Annexes of Directive 2011/65/EU (RoHS2). Finished electrical and electronic equipment products will be CE marked as required by Directive 2011/65/EU. Components may not be CE marked. Additionally, the part numbers that TE has identified as EU ELV compliant have a maximum concentration of 0.1% by weight in homogenous



materials for lead, hexavalent chromium, and mercury, and 0.01% for cadmium, or qualify for an exemption to these limits as defined in the Annexes of Directive 2000/53/EC (ELV). Regarding the REACH Regulation, the information TE provides on SVHC in articles for this part number is based on the latest European Chemicals Agency (ECHA) 'Guidance on requirements for substances in articles' posted at this URL: <https://echa.europa.eu/guidance-documents/guidance-on-reach>

Compatible Parts



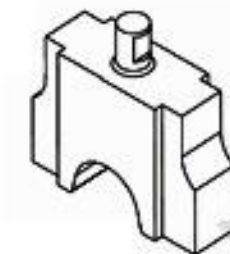
TE Part # 48127
HYP8 SOLIS 6-2AWG INDENTER



TE Part # 1490414-2
HYP10 SOLIS HD 6-4AWG INDENTER



TE Part # 1490413-3
HYP10 SOLIS 4AWG NEST




TE Part # 1901002-1
INDENTER, SOLISTRAND



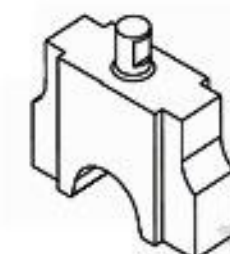
TE Part # 2-33469-4
TERMINAL, SOLIS R 4 1/4



TE Part # 8-33469-2
TERMINAL, SOLIS R 4 1/4



TE Part # 33469-1
TERMINAL, SOLIS, R, 4, 1/4, UNPLTD



TE Part # 1901000-2
NEST #4



TE Part # 48129
HYP8 SOLIS 4AWG NEST



TE Part # 601075
BANTAM ROTA-CRIMP TOOL



TE Part # 600850
ROTO-CRIMP TOOL (ASI)



TE Part # 69218
HYP8/10 SOLIS 4AWG DIE SET

Customers Also Bought



TE Part #5053344027
RNF-100-1-1/2-0-SP



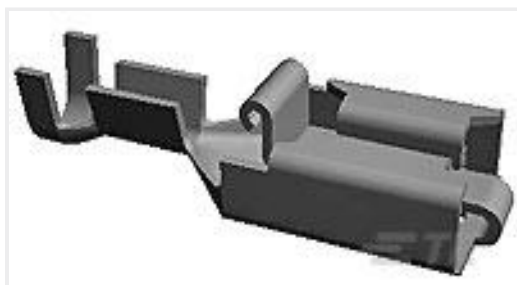
TE Part #33463
TERMINAL, SOLIS R 8 3/8



TE Part #41898
250 FASTON FLAG REC 18-12 AWG TPBR



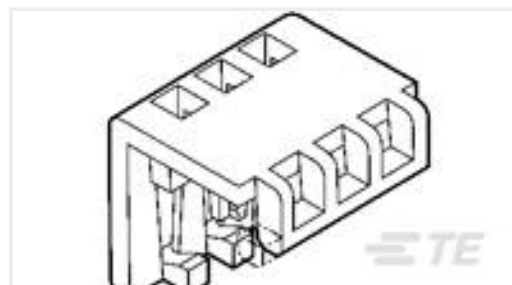
TE Part #2-323011-2
TERMINAL, PIDG R SLTD 26-22 6



TE Part #341001-6
PL 250 REC TERMINAL 13-11 PTPB LP



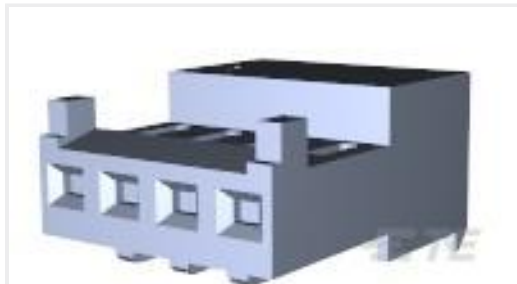
TE Part #4-641237-0
10P MTA100 CONN ASSY RED 30AU



TE Part #2-643075-0
20P MTA100 MOLDED COVER



TE Part #1604001-1
120A SGL POLE HSG SUBASY,BLUE



TE Part #3-1744020-4
04P MTA100 CONN ASSY LF



TE Part #1-2377168-2
CHARGING INLET CCS1, CABLE ASSY

Documents

Product Drawings

[TERMINAL,SOLIS R 4 1/4](#)

English

CAD Files

[3D PDF](#)

3D

Customer View Model

[ENG_CVM_CVM_33469_AF.2d_dxf.zip](#)

English

Customer View Model

[ENG_CVM_CVM_33469_AF.3d_igs.zip](#)

English

Customer View Model

[ENG_CVM_CVM_33469_AF.3d_stp.zip](#)

English

Customer View Model

[ENG_CVM_33469_L.3d_igs.zip](#)

English

Customer View Model

[ENG_CVM_33469_L.3d_stp.zip](#)

English

Customer View Model

[ENG_CVM_33469_L.2d_dxf.zip](#)

English

[3D PDF](#)

English



By downloading the CAD file I accept and agree to the [Terms and Conditions](#) of use.

Datasheets & Catalog Pages

[SOLISTRAND - QRG](#)

English

Instruction Sheets

[Instruction Sheet \(U.S.\)](#)

English

Agency Approvals

[UL Report](#)

English

[UL Report](#)

English