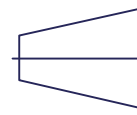
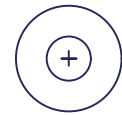
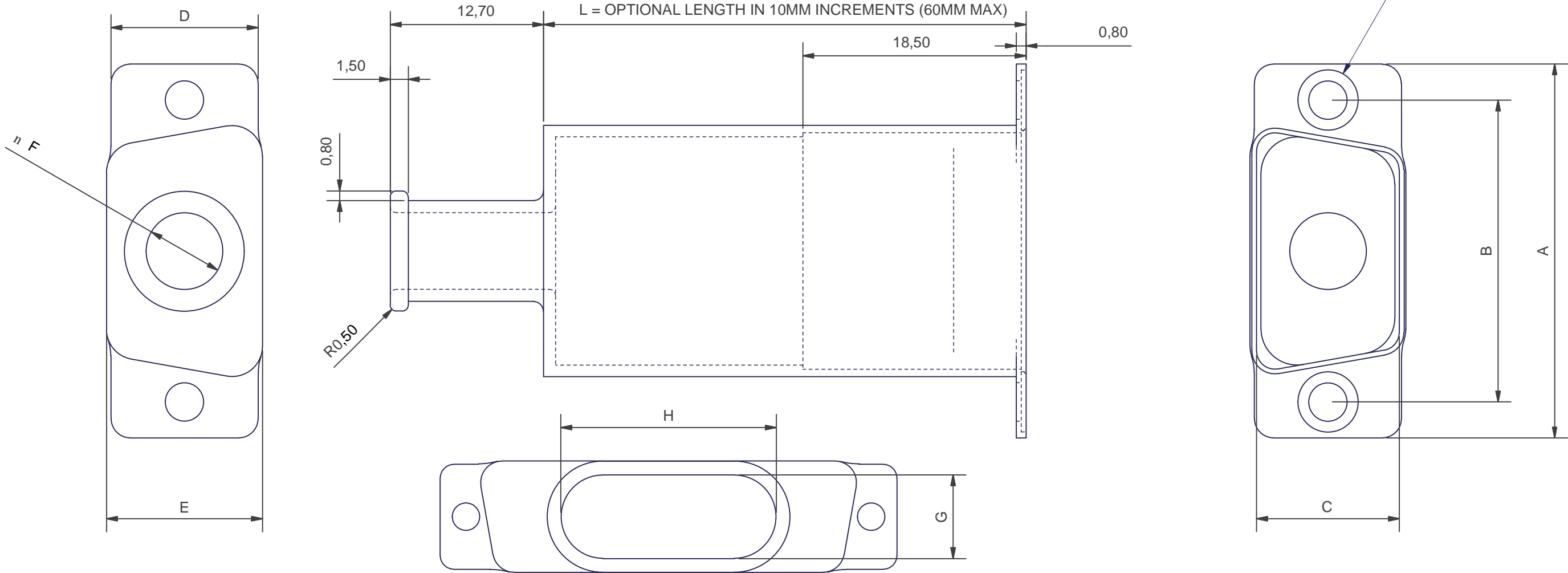




3RD ANGLE PROJECTION



REMOVE ALL SHARP EDGES AND BURRS



FINISH:- Hi Phos Electroless Nickel plate to BS EN ISO 4527:2003

100P2475-09-04-L40-CHP

ENTRY SIZE	MIN SHELL SIZE	F DIA MIN	G	H
03	09	4,45	-	-
04	09	6,35	-	-
05	09	7,92	-	-
06	09	9,53	-	-
07	09	-	9,7	11,8
08	15	-	9,7	17,9
09	25	-	9,7	25,0
10	25	-	9,7	32,0

SHELL SIZE	A	B	C +0.2/-0	D	E
09	31.00	25.0	11.7	12.2	12.93
15	39.20	33.3	11.7	12.2	12.93
25	53.00	47.0	11.7	12.2	12.93
37	69.50	63.5	11.7	12.2	12.93
50	66.90	61.1	14.5	15.2	15.75

SERIES _____
 SHELL SIZE _____
 ENTRY SIZE _____
 LENGTH IN MM _____
 FINISH _____

ISSUE	DCR NO.	DATE	APPROVED
1	2234	06/06/2007	MXF

MATERIAL

ALUM ALLOY 6082-T6

UNLESS OTHERWISE SPECIFIED
ALL DIMENSIONS IN MILLIMETRES
TOLERANCE ON DIMENSIONS +/-0.1MM
TOLERANCE ON ANGLES +/- 1 DEGREE

WEIGHT _____
DRAWN M.PAUL

DO NOT SCALE THIS DRAWING

THIS DRAWING IS COPYRIGHT, AND THE PROPERTY OF POLAMCO LTD. IT MUST NOT BE COPIED, USED FOR MANUFACTURE OR OTHERWISE DISCLOSED WITHOUT PRIOR WRITTEN CONSENT OF THE COMPANY.

POLAMCO LTD

WESTON LOCK
LOWER BRISTOL ROAD
BATH BA2 1EP

TITLE
D SUB BANDING ADAPTOR

PART NO 100P2475-09-04-L40B

ASSY USED ON
MIL-C-24308

DRAWING NO
P8797