

4

3

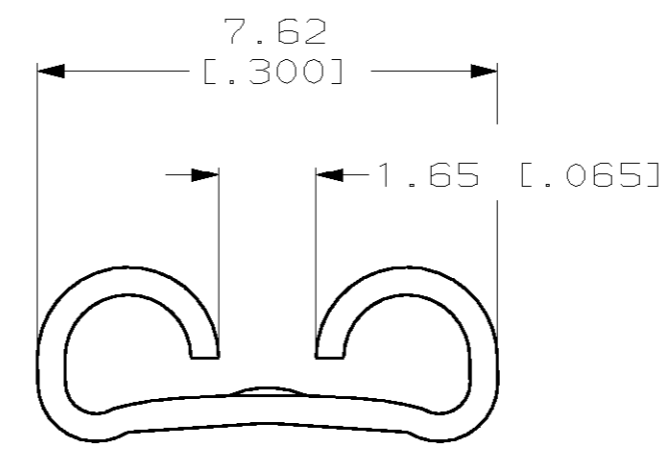
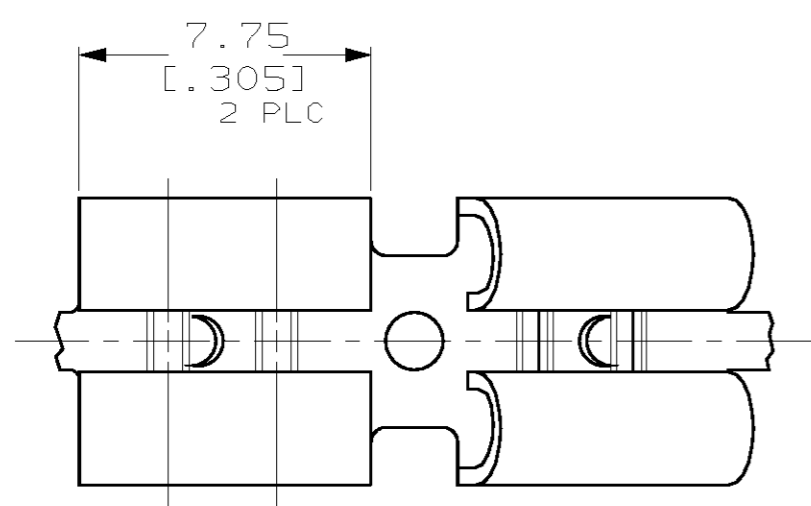
2

1

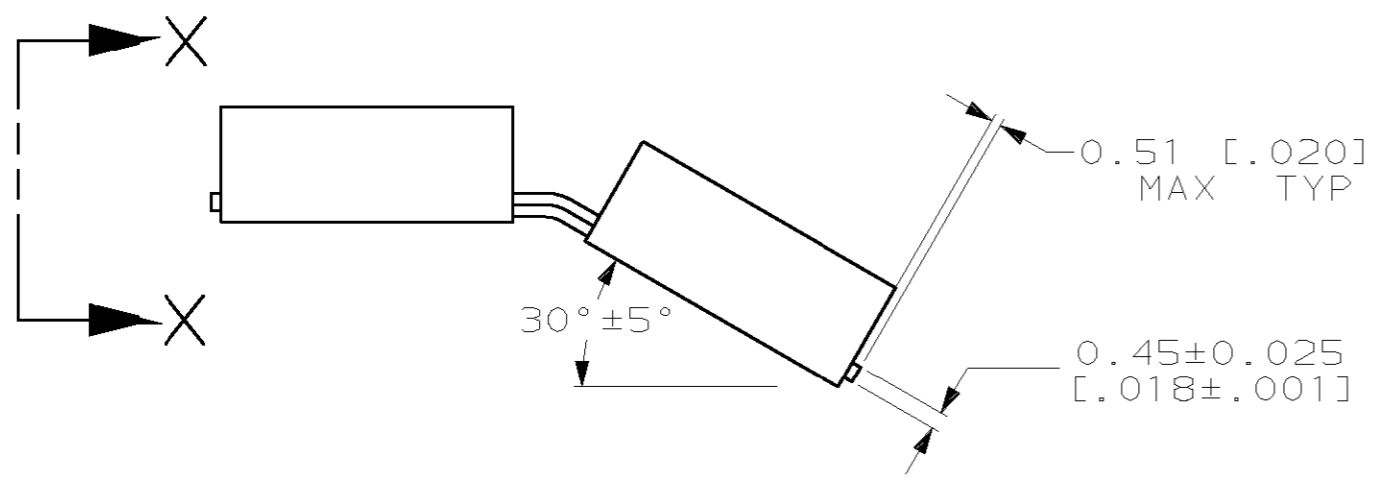
THIS DRAWING IS UNPUBLISHED. RELEASED FOR PUBLICATION ,19 .
© COPYRIGHT 19 BY AMP INCORPORATED. ALL RIGHTS RESERVED.

LOC	DIST	REVISIONS			
P	LTR	DESCRIPTION	DATE	DWN	APVD
AF	50	E	REVISED ANGLE PER OG3A-0284-00	24APR00	MF PD

- 1 SUPPLIED IN LOOSE PIECE
- 2 MATING TAB THK TO BE 0.81±0.025 [.032±.001]



VIEW X-X
SCALE 8:1



1217283-1
PART NO.

THIS DRAWING IS A CONTROLLED DOCUMENT.		DWN JR RUTH 17DEC99	AMP AMP Incorporated Harrisburg, PA 17105-3608												
DIMENSIONS: MM [INCHES]		CHK MS FEHER 17DEC99													
TOLERANCES UNLESS OTHERWISE SPECIFIED:		APVD S HEADER 17DEC99	NAME RECEPTACLE, FASTON™ ADAPTER, 6.35 [.250] SERIES												
<table border="1"> <tr><td>0 PLC</td><td>±-</td></tr> <tr><td>1 PLC</td><td>±-</td></tr> <tr><td>2 PLC</td><td>±0.25 [.010]</td></tr> <tr><td>3 PLC</td><td>±-</td></tr> <tr><td>4 PLC</td><td>±-</td></tr> <tr><td>ANGLES</td><td>±-</td></tr> </table>		0 PLC	±-	1 PLC	±-	2 PLC	±0.25 [.010]	3 PLC	±-	4 PLC	±-	ANGLES	±-	PRODUCT SPEC -	SIZE A3
0 PLC	±-														
1 PLC	±-														
2 PLC	±0.25 [.010]														
3 PLC	±-														
4 PLC	±-														
ANGLES	±-														
MATERIAL H04 BRASS		APPLICATION SPEC -	CAGE CODE 00779												
FINISH 0.002032 [.000080] MIN TIN		WEIGHT -	DRAWING NO C- 1217283												
		CUSTOMER DRAWING	RESTRICTED TO -												
		SCALE 5:1	SHEET 1 OF 1												
			REV E												