

DRAWING MADE IN THIRD ANGLE PROJECTION

3

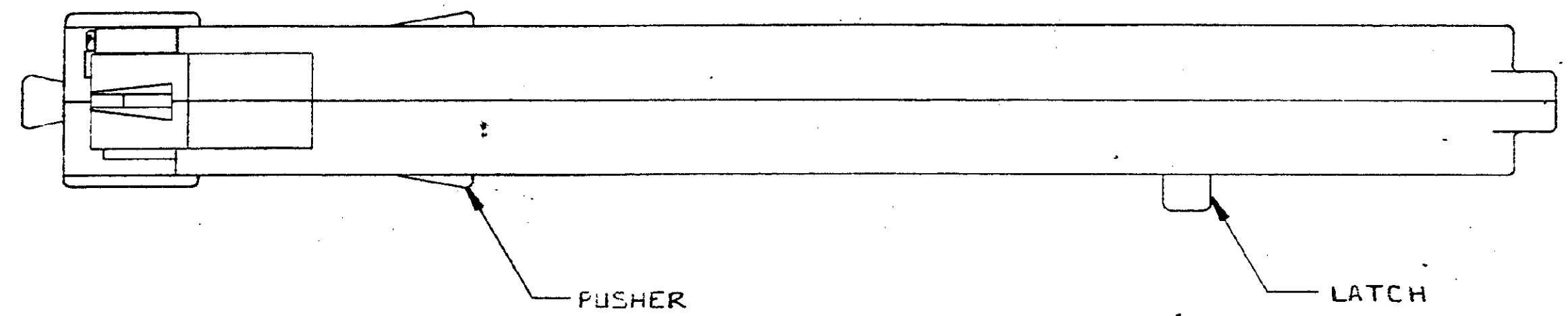
2

1

LOC AA DIST 82/2

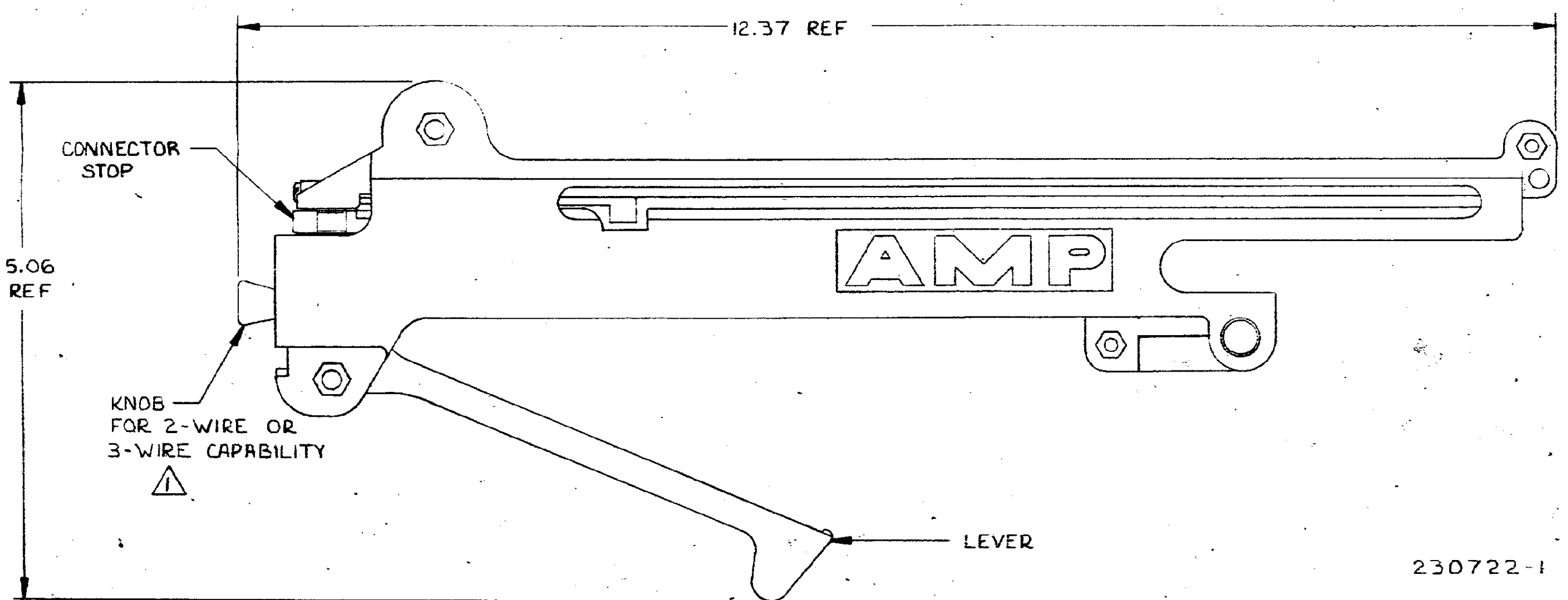
© COPYRIGHT 1979 BY AMP INCORPORATED, HARRISBURG, PA. ALL INTERNATIONAL RIGHTS RESERVED. AMP INCORPORATED PRODUCTS COVERED BY U. S. AND FOREIGN PATENTS AND/OR PATENTS PENDING.

REVISIONS						
P	F	ZONE	LTR	DESCRIPTION	DATE	APPROVED
C	✓		C	REV PER ECN AA-2746	8/4/83	SP SD




⚠ FOR CRIMPING 3-WIRE SEALED SPLICE CONNECTORS, KNOB SHALL BE IN DOWN POSITION AS SHOWN. FOR CRIMPING 2-WIRE SEALED SPLICE CONNECTORS KNOB SHALL BE IN UP POSITION.

2. REFER TO I.S. 6506 FOR OPERATING INSTRUCTIONS.



230722-1 AS SHOWN

230722

UNLESS OTHERWISE SPECIFIED DIMENSIONS ARE IN INCHES. TOLERANCES ON: DECIMALS ± .01 ANGLES ± .1°		CONTRACT NO		 AMP INCORPORATED Harrisburg, Pa.	
MATERIAL —H—		DR <i>Stephen Dorn</i> 3/7/79			
FINISH —H—		CHK <i>REK</i> 3/7/79		NAME ASSY, TOOL, CARTRIDGE, TEL-SPLICE	
		APPD <i>Ry Seery</i> 3-7-79		SIZE CODE IDENT NO DRAWING NO C 00779 230722	
		DSGN APPD		SCALE 1:1 SHEET 1 OF 1	
		OTHER APPD <i>REK</i> 4/1/79			

CUSTOMER DRAWING