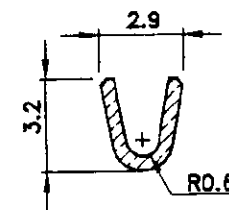
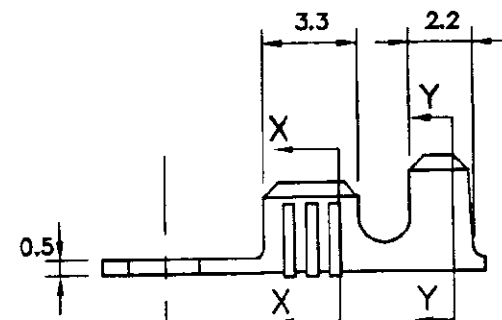
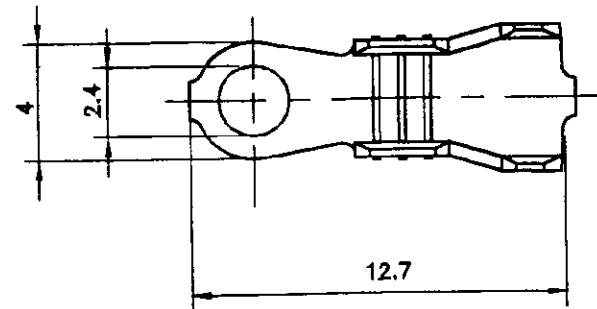
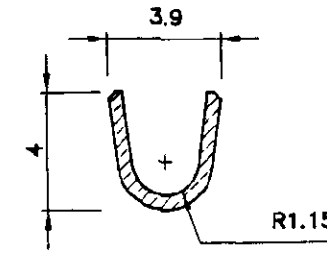


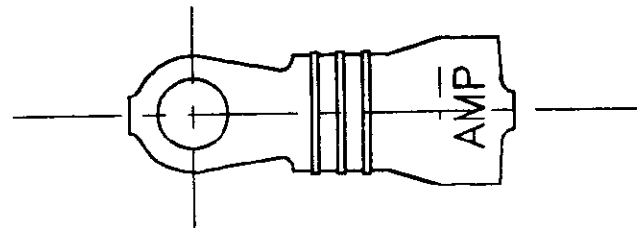
DRAWING MADE IN THIRD ANGLE PROJECTION



SECTION X-X




SECTION Y-Y



**CONTROLLED**

THIS INFORMATION IS CONFIDENTIAL AND DISCLOSED TO YOU ON CONDITION THAT NO FURTHER DISCLOSURE IS MADE BY YOU TO OTHER THAN AMP PERSONNEL WITHOUT WRITTEN AUTHORIZATION FROM AUSTRALIAN AMP

WIRE RANGE: 0.3-0.8 sq mm		-		BRASS		190661-1	
INSULATION RANGE: Ø1.5-2.8 mm		REMARKS	FINISH	MATERIAL		PART No	
		SIZE 0.503±0.018x9.02±0.05					
		DATE 31/03/94	CHK FP	 Australian AMP Pty. Limited Hudson Avenue, CAMEL HILL NSW			
		DR RB	APP BL			LOC CODE	
		NAME RING TONGUE				U	
		SCALE AS 4:1 or SHOWN	SIZE A3	DWG No. C-190661		SHEET 1 OF 1	REV B
P	F	LTR	REVISION RECORD	APP	DATE		

CUSTOMER DRAWING

**ORIGINAL**