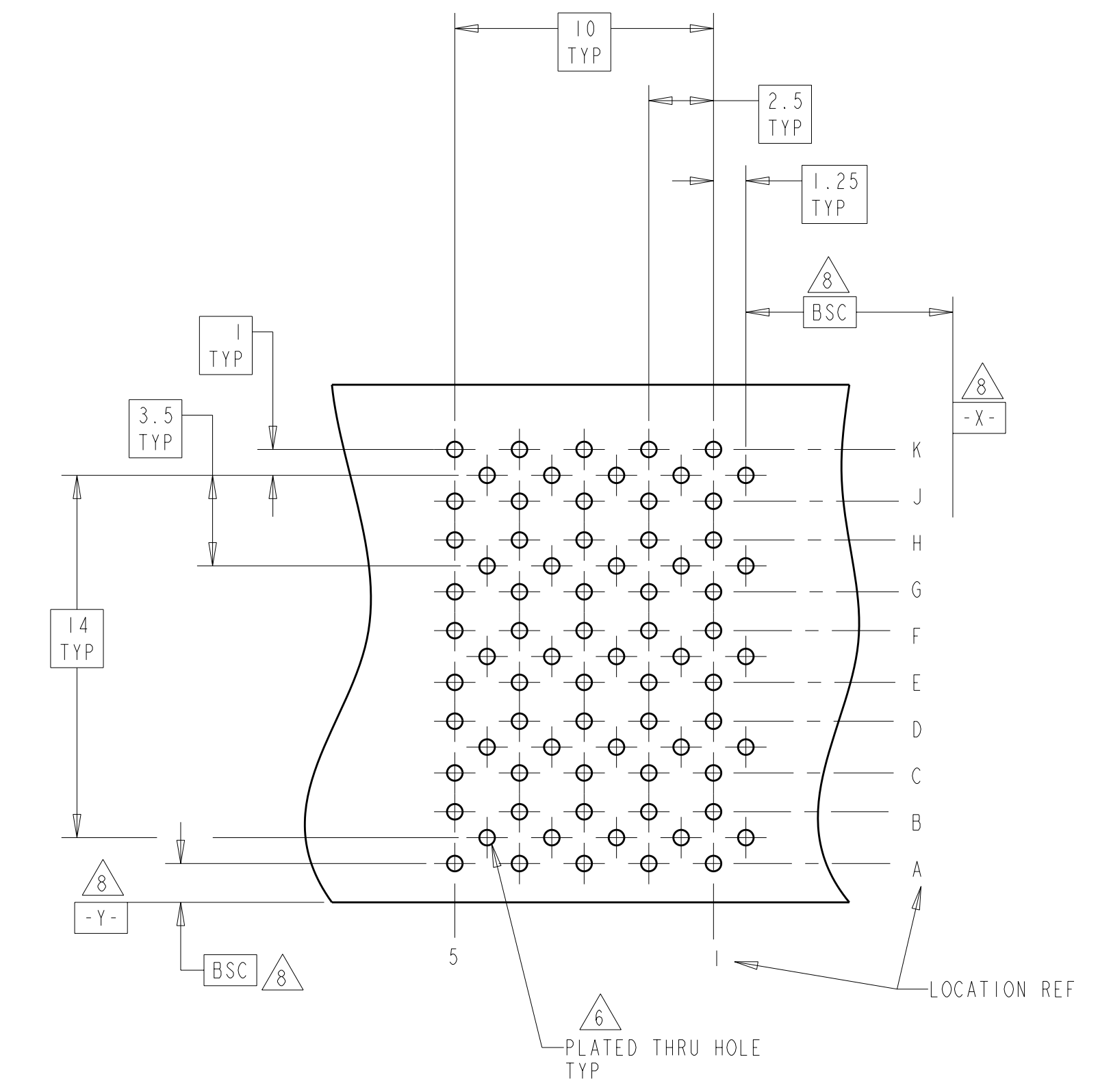
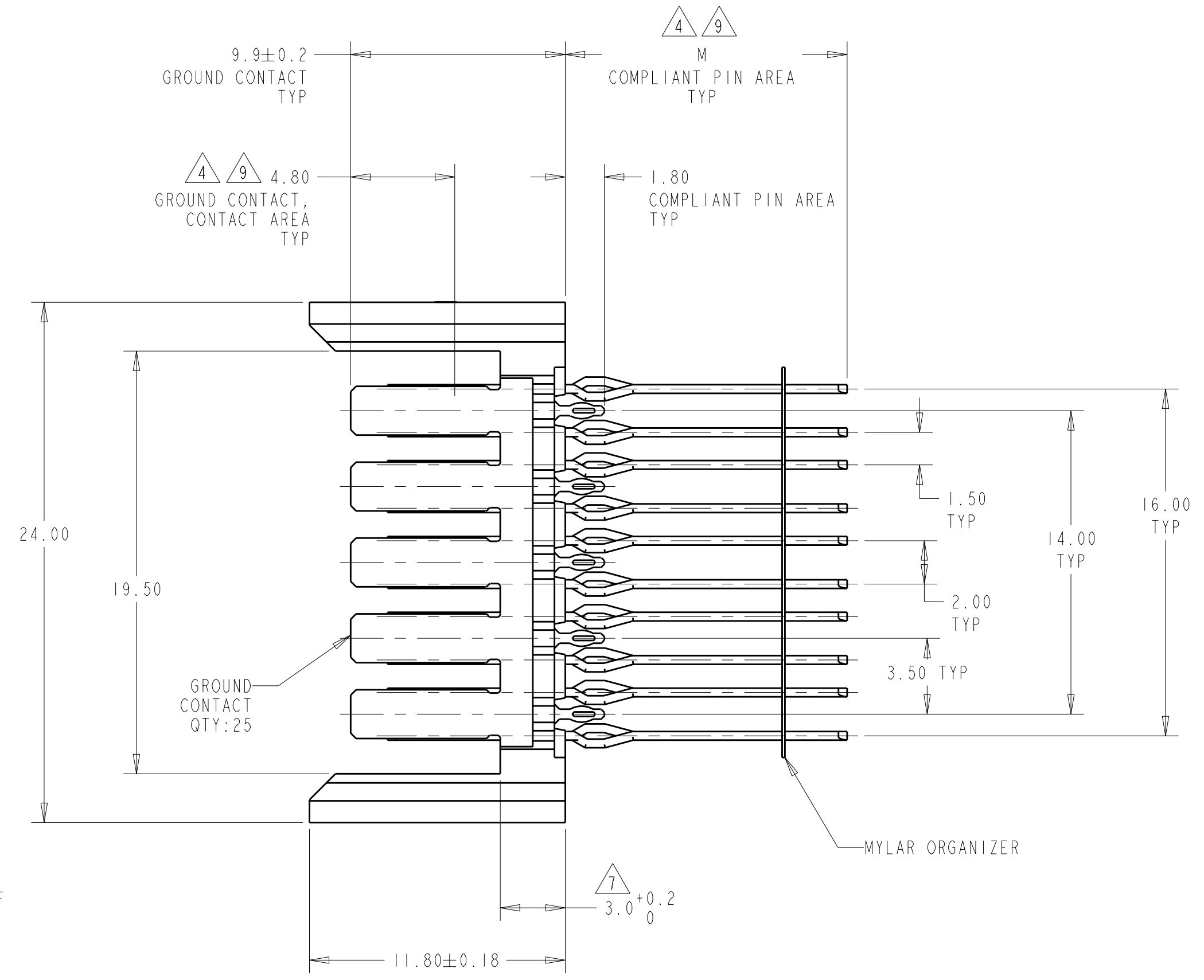
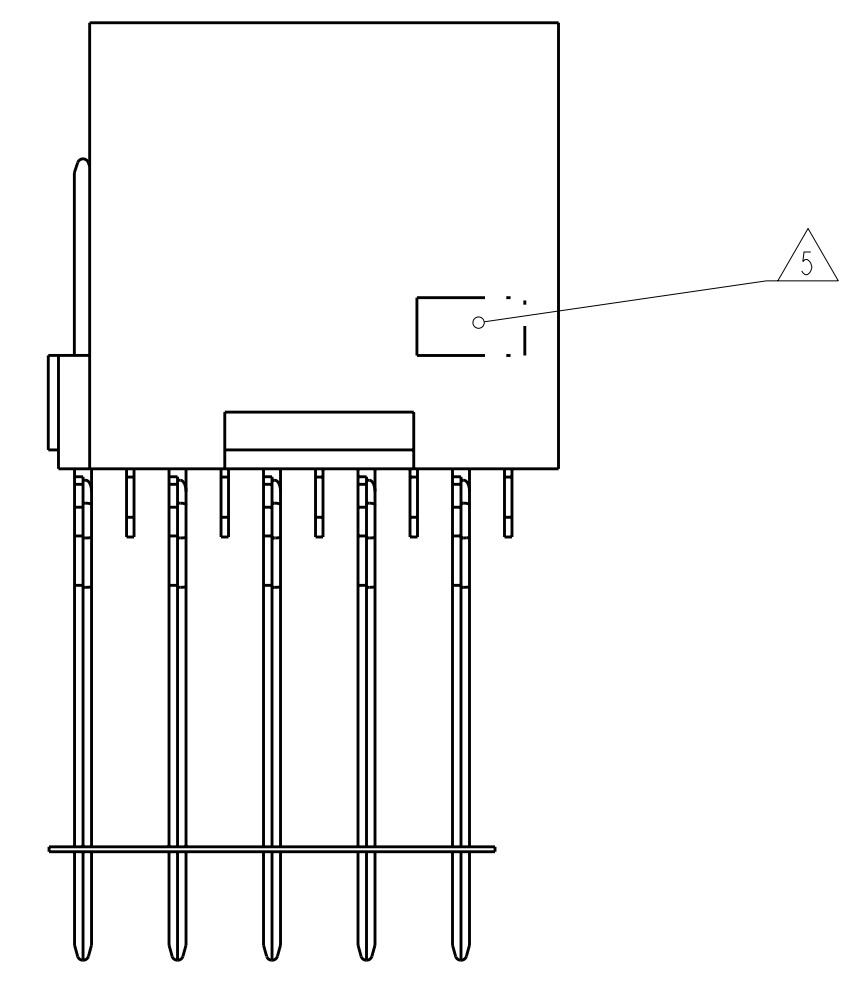
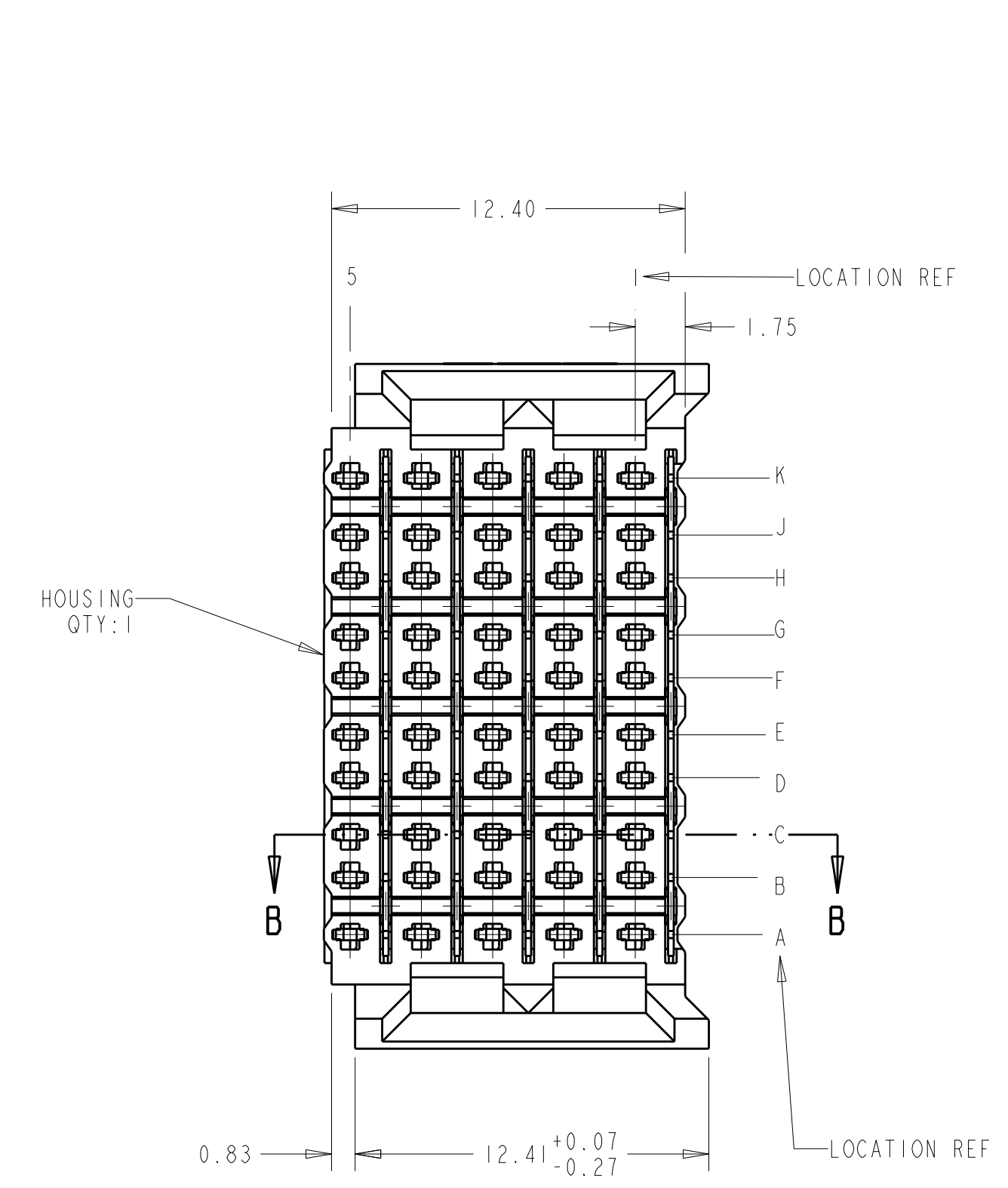
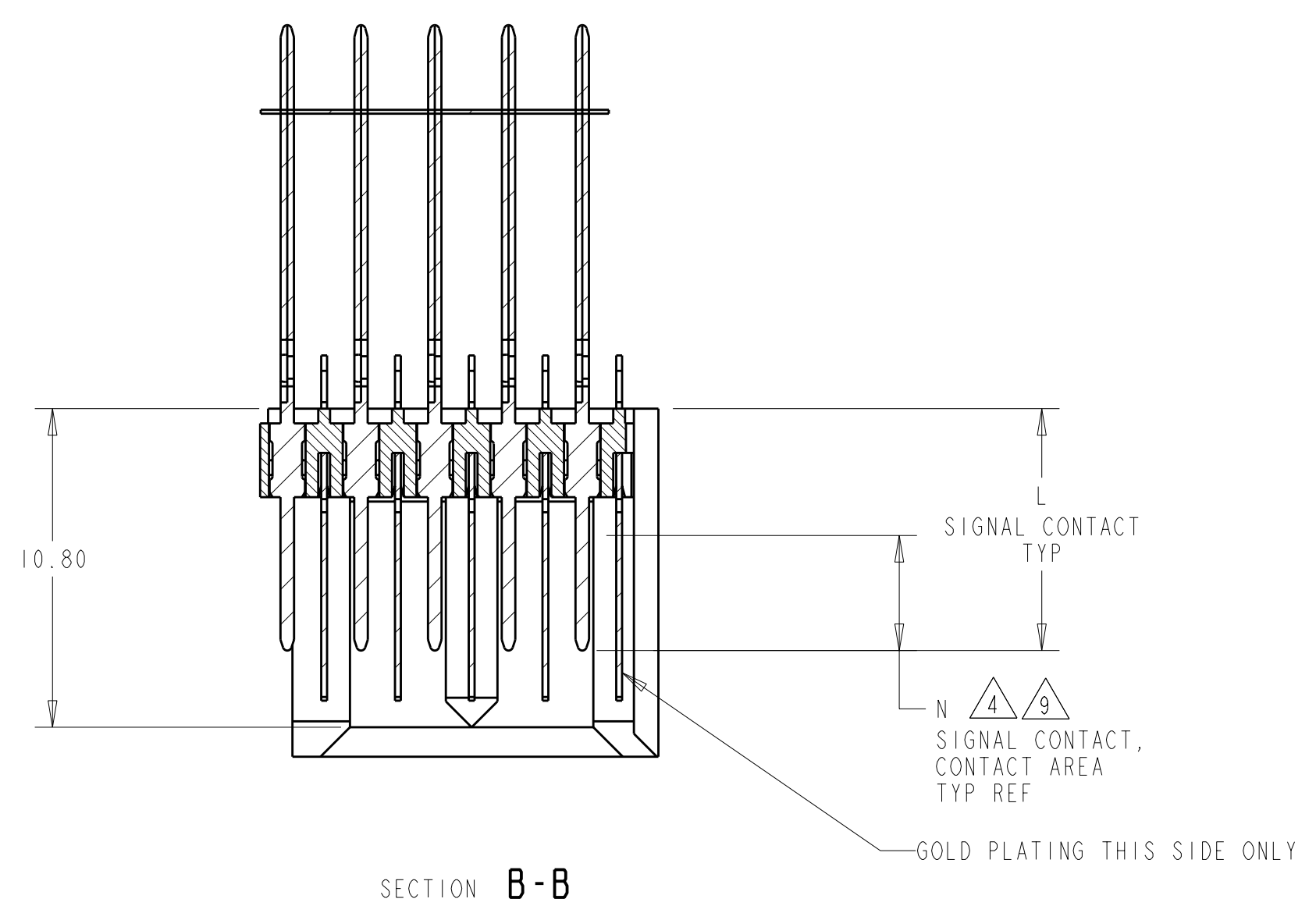


LOC	DIST	REV	DATE	BY	APPD
GP	00	A	13JUL2011	HMR	MH

- 2 PHOSPHOR BRONZE
- 3 GLASS FILLED POLYESTER
- 4 CONTACT MATING AREA MEETS THE PERFORMANCE REQUIREMENTS OF TE CONNECTIVITY PRODUCT SPECIFICATION 108-1957; BASED ON TELCORDIA GR-1217-CORE, APPLICATIONS IN UNCONTROLLED ENVIRONMENTS.
- 5 CONNECTOR MARKED WITH PART NUMBER AND DATE CODE
- 6 REFERENCE APPLICATION SPEC 114-13020 FOR RECOMMENDED PLATED THRU HOLE DIAMETER AND PLATING THICKNESS.
- 7 APPLICATION SEATING HEIGHT TO PRINTED CIRCUIT BOARD
- 8 DATUMS AND BASIC DIMENSIONS ESTABLISHED BY CUSTOMER
- 9 CONTACT AREA LUBRICATED WITH BELLCORE APPROVED LUBRICANT TECHNICAL REFERENCE: GR-1217-CORE, ISSUE 1, NOVEMBER 1995



RECOMMENDED  
 PRINTED CIRCUIT BOARD  
 LAYOUT  
 COMPONENT SIDE OF PRINTED CIRCUIT BOARD

3.90	13.00	8.2	5120899-1
N	M	L	PART NUMBER

THIS DRAWING IS A CONTROLLED DOCUMENT.		DWN: B. CARBO 09DEC04	TE Connectivity	
DIMENSIONS: mm		CHK: R. PATTERSON 09DEC04		
TOLERANCES UNLESS OTHERWISE SPECIFIED:		APVD: R. PATTERSON 09DEC04	NAME: HEADER ASSEMBLY, 50 POSITION, 10 ROW, FEED THROUGH, BACKPLANE CONNECTOR, WITH ORGANIZER, Z-PACK HS3	
9 PLC ±	1 PLC ±	PRODUCT SPEC	SIZE: CAGE CODE: DRAWING NO: RESTRICTED TO	
3 PLC ±0.13	5 PLC ±0.05	APPLICATION SPEC	A1 00779 C=5120899	
4 PLC ±	ANGLES ±	WEIGHT	SCALE: 5:1 SHEET 1 OF 1 REV A	
MATERIAL: HOUSING: 3	FINISH: 2	CUSTOMER DRAWING		
CONTACTS: 2	SIGNAL CONTACT: 4			