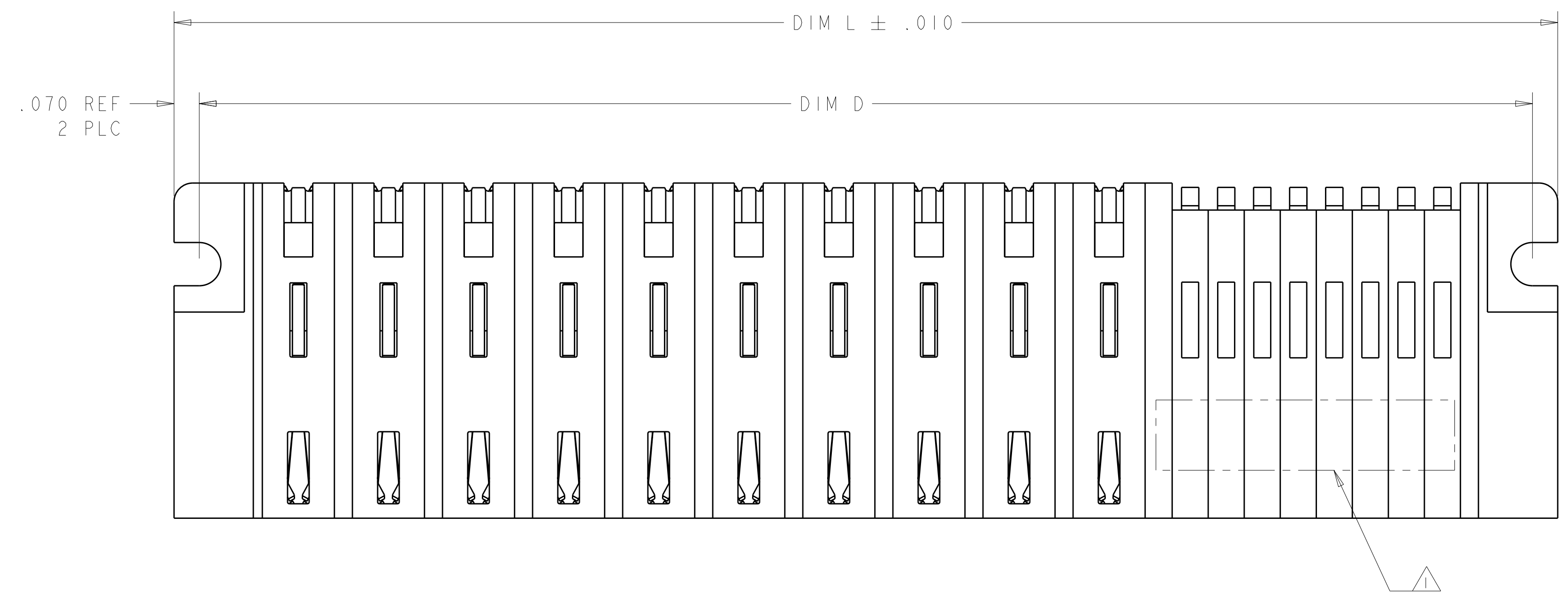
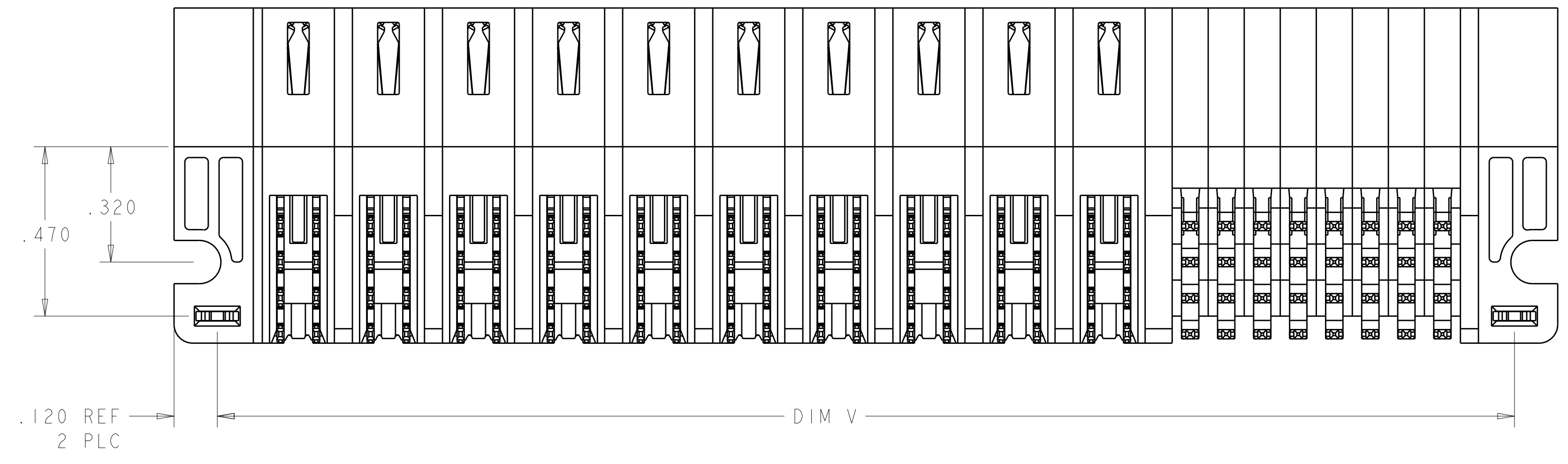
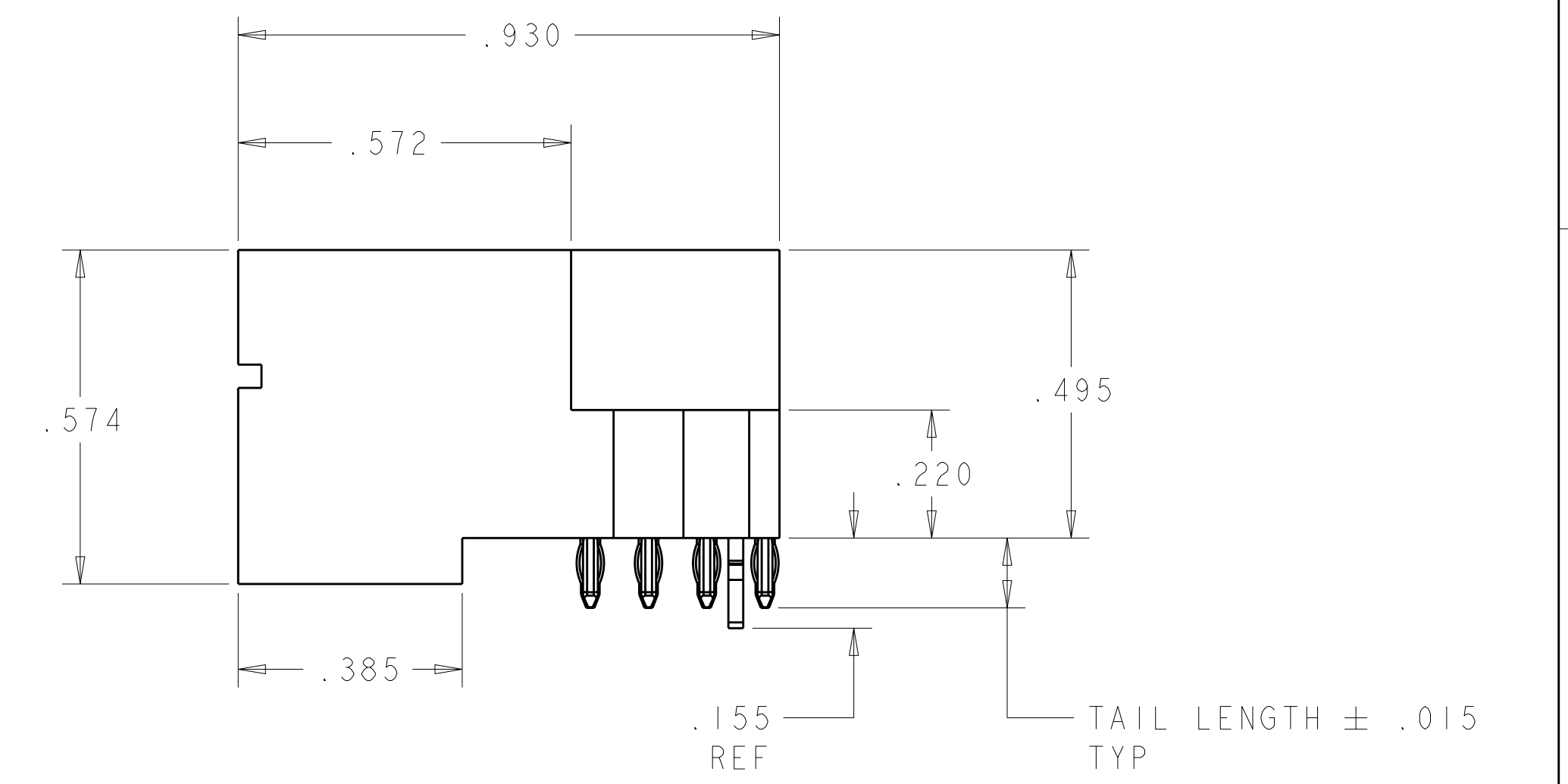
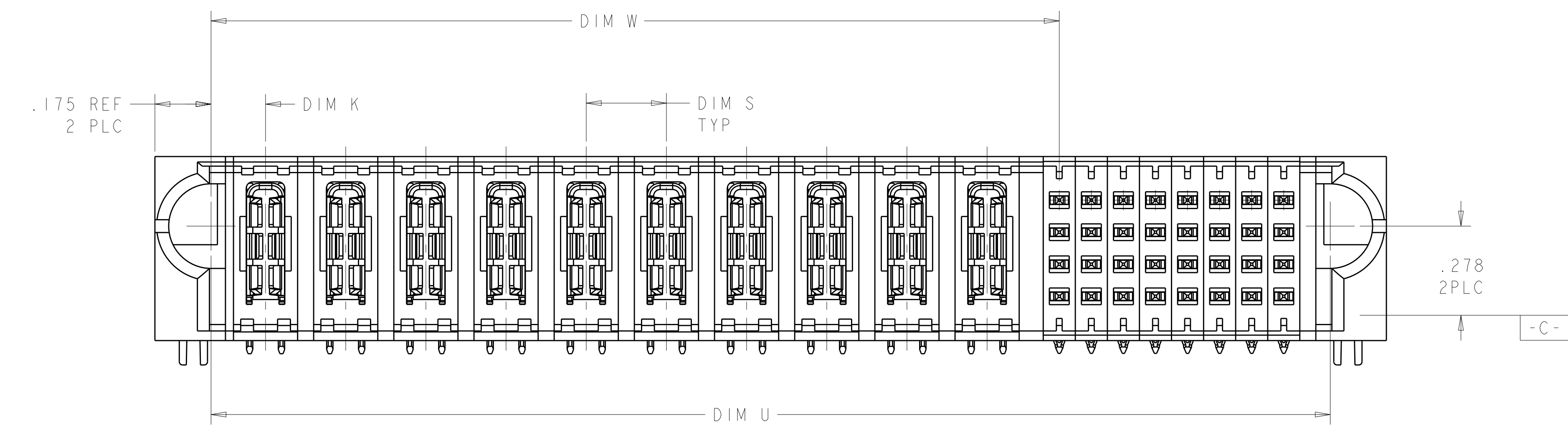


LOC	DIST	REV	DESCRIPTION	DATE	DWN	APVD
ES	00	A4	ADDED THE DASH NO. -4,5	21JUN2011	ML	SZ



- ① "AMP", PART NUMBER, AND DATECODE TO BE MARKED IN AREA SHOWN. PARTS UNDER 2.00 LONG MAY BE MARKED ON BOTH SIDES.
- ② MATERIAL: HOUSING - GLASS FILLED HIGH TEMP THERMO PLASTIC, BLACK, UL94 V-0
SIGNAL CONTACT - COPPER ALLOY
POWER CONTACT - HIGH CONDUCTIVITY COPPER ALLOY
- ③ CONTACT PLATING: NICKEL UNDERPLATE ALL OVER, .000030 GOLD AT MATING SURFACE AT Sn AT CONTACT TAILS.
- ④ MECHANICAL CONNECTOR KEEP OUT ZONE.
- ⑤ DATUM AND BASIC DIMENSIONS ESTABLISHED BY CUSTOMER.
- ⑥ PCB - HOLE DIAMETERS ARE FINISHED HOLE SIZE.
- ⑦ PCB - .0453±.0010 DRILLED HOLES PLATED WITH .0003 MIN Sn OVER .001 TO .003 Cu PLATING TO ACHIEVE A .040 DIA HOLE.
- ⑧ NOT RELEASED FOR PRODUCTION.
- ⑨ VARIABLE DIMENSION SEE TABLE.



④	3.500	2.795	3.390	⑧	3.600	3.740	.170	3ACP + 8P + 24S	6450842-5
	3.550	3.020	3.440	⑧	3.650	3.790	.145	13P + 24S	6450842-4
④	3.500	2.795	3.390	⑨	3.600	3.740	.170	3ACP + 8P + 24S	6450842-2
⑧	3.350	2.445	3.240	⑨	3.450	3.590	.145	10P + 32S	6450842-3
	3.600	2.645	3.490	⑨	3.700	3.840	.170	10P + 32S	6450842-1
	DIM V	DIM W	DIM U	DIM S	DIM D	DIM L	DIM K	DESCRIPTION	PART NUMBER

THIS DRAWING IS A CONTROLLED DOCUMENT.

DMN: HESPER LIU 09JUL2008
CHK: S. ZHAO 09JUL2008
APVD: S. ZHAO

STE TE Connectivity

NAME: RIGHT ANGLE HEADER W/ LP CONTACT AND SHORT END MODULES MULTI-BEAM XLE

PRODUCT SPEC: 108-2292
APPLICATION SPEC: 114-13251

SIZE: A100779 C=6450842
SCALE: 4:1 SHEET 1 OF 4 REV A4

MATERIAL: FINISH:

CUSTOMER DRAWING

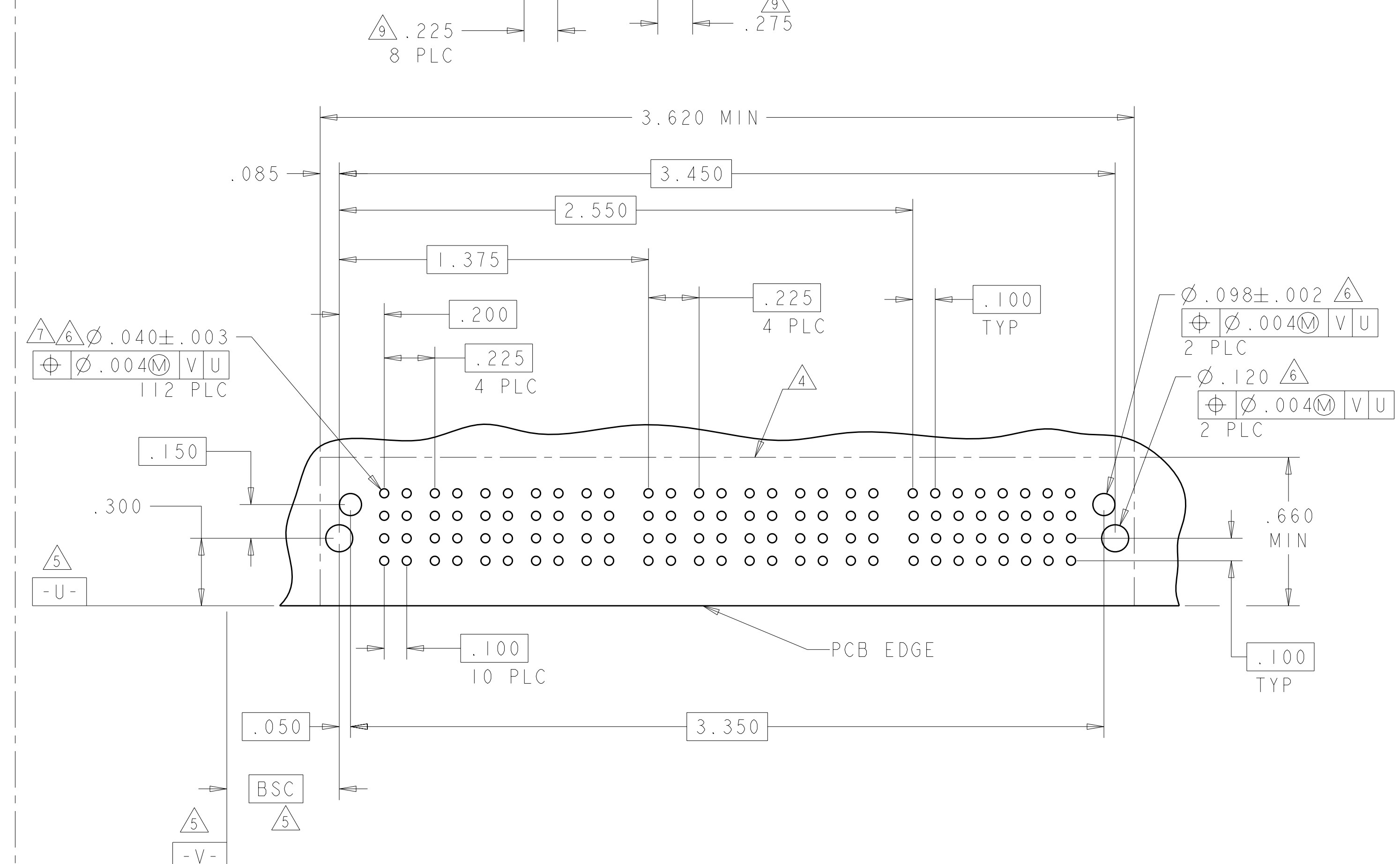
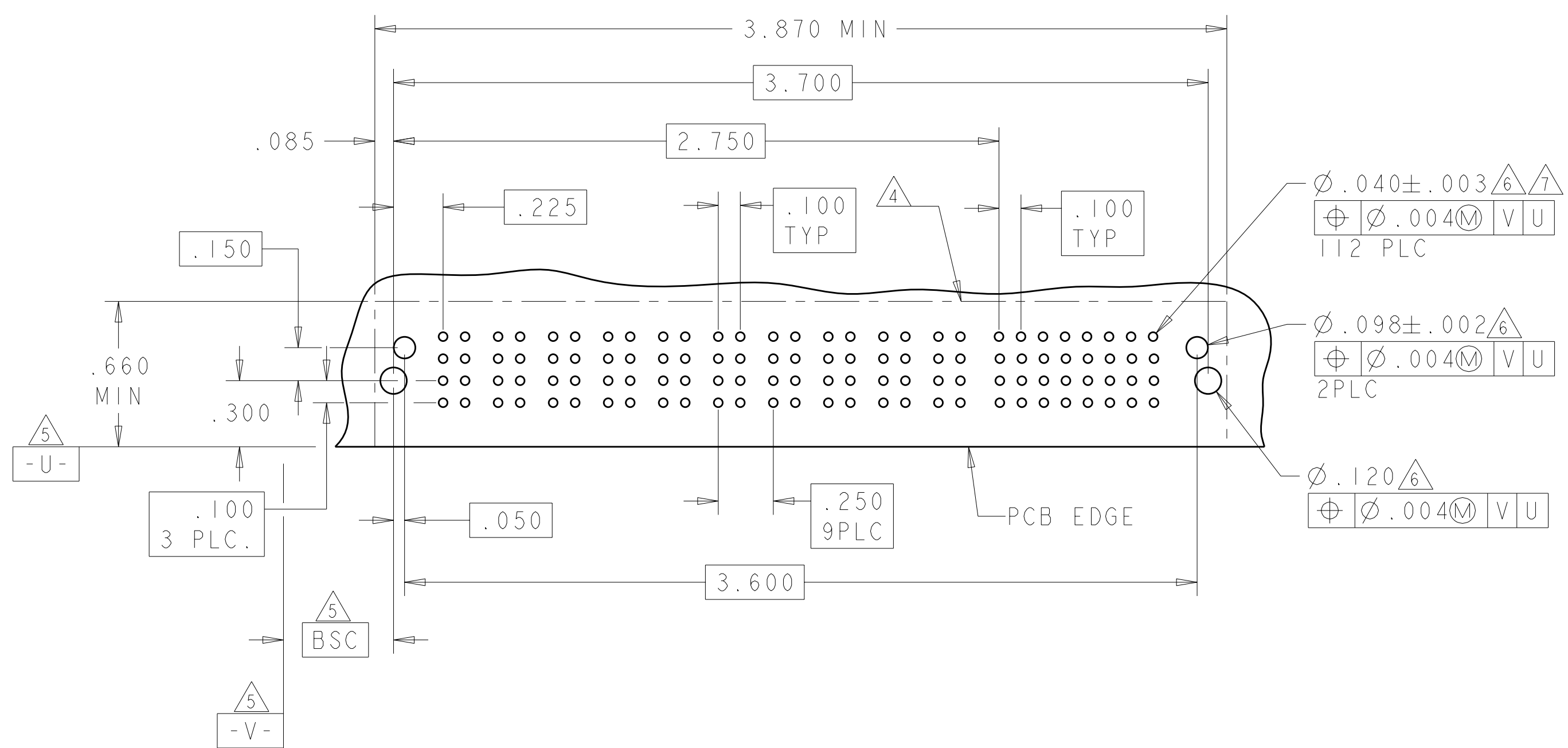
LOC	DIST	REV	DESCRIPTION	DATE	OWN	APVD
ES	00		SEE SHEET 1			

PART NUMBER	ROWS	POWER										SIGNAL							
		P1	P2	P3	P4	P5	P6	P7	P8	P9	P10	1	2	3	4	5	6	7	8
6450842-1	D										Z5	Z5	Z5	Z5	Z5	Z5	Z5	Z5	
	C	TT	TT	TT	TT	TT	TT	TT	TT	TT	Y5	Y5	Y5	Y1	Y1	Y5	Y5	Y5	
	B										R5	R5	R5	R1	R1	R5	R5	R5	
	A	HD									O5	O5	O5	O5	O5	O5	O5	O5	

10P + 32S

PART NUMBER	ROWS	POWER										SIGNAL							
		P1	P2	P3	P4	P5	P6	P7	P8	P9	P10	1	2	3	4	5	6	7	8
6450842-3	D										Z5	Z5	Z5	Z5	Z5	Z5	Z5	Z5	
	C	TT	TT	TT	TT	TT	TT	TT	TT	TT	Y5	Y5	Y5	Y5	Y5	Y5	Y5	Y5	
	B										R5	R5	R5	R5	R5	R5	R5	R5	
	A	HD									O1	O1	O1	O1	O1	O1	O1	O1	

10P + 32S



DESCRIPTION	IDENTIFIER
HOLD DOWN	HD
.120 SIGNAL MLBF PRESS FIT CON, ROW C	Y1
.120 SIGNAL MLBF PRESS FIT CON, ROW B	R1
.120 SIGNAL MLBF PRESS FIT CON, ROW A	O1
.120 SIGNAL MLBF PRESS FIT CON, ROW D	Z1
.120 SIGNAL PRESS FIT CON, ROW A,STD	O5
.120 SIGNAL PRESS FIT CON, ROW B,STD	R5
.120 SIGNAL PRESS FIT CON, ROW C,STD	Y5
.120 SIGNAL PRESS FIT CON, ROW D,STD	Z5
.120 PRESS FIT POWER CON	TT

THIS DRAWING IS A CONTROLLED DOCUMENT.

DATE: 09 JUL 2008
 DWG: HESPER L10
 CHK: S. ZHAO
 APVD: S. ZHAO

DIMENSIONS: INCHES
 TOLERANCES UNLESS OTHERWISE SPECIFIED:
 9 PLC ±.
 1 PLC ±.01
 5 PLC ±.005
 4 PLC ±.0020
 ANGLES ±.0°
 FINISH

MATERIAL: -
 FINISH: -

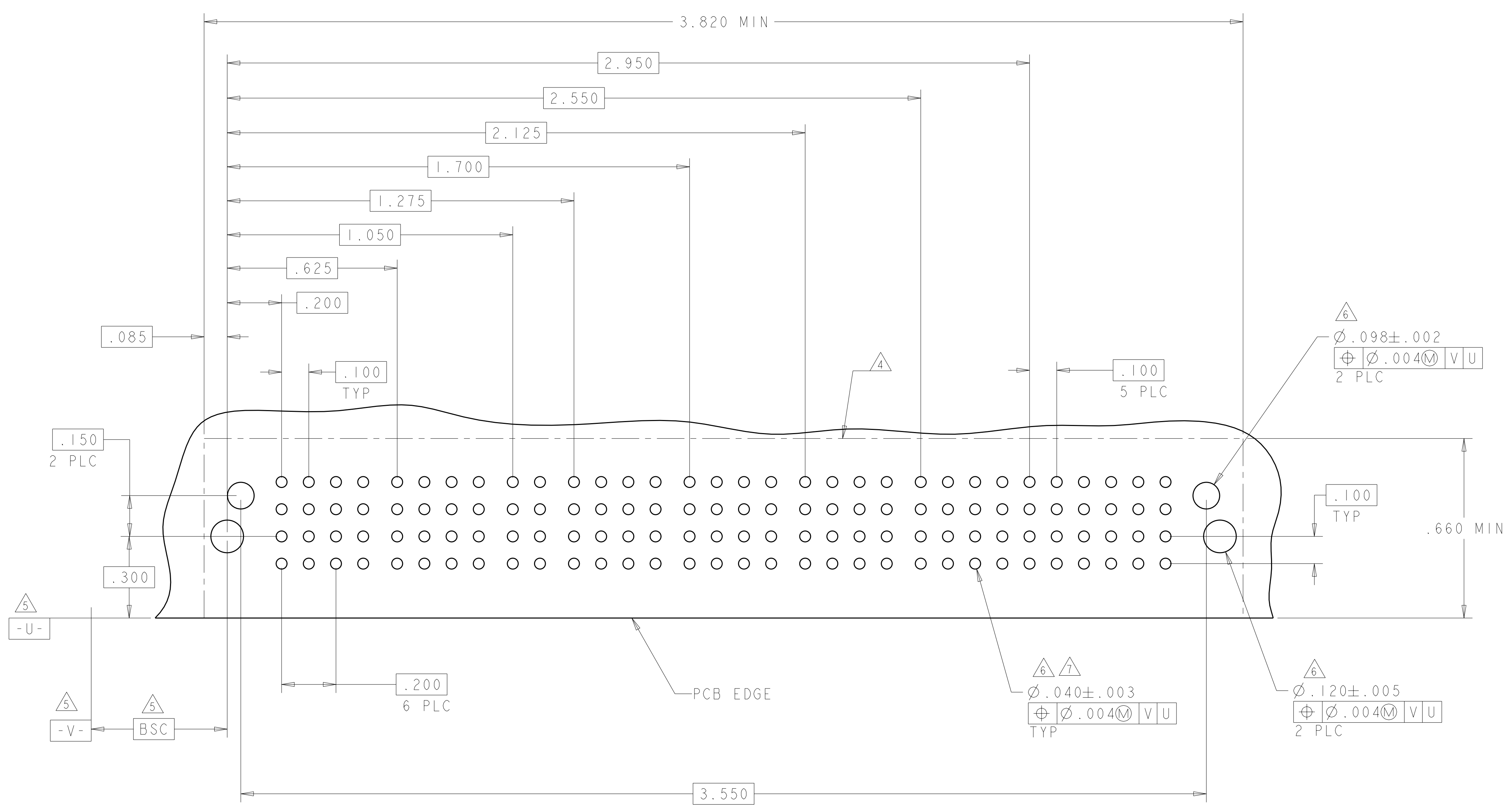
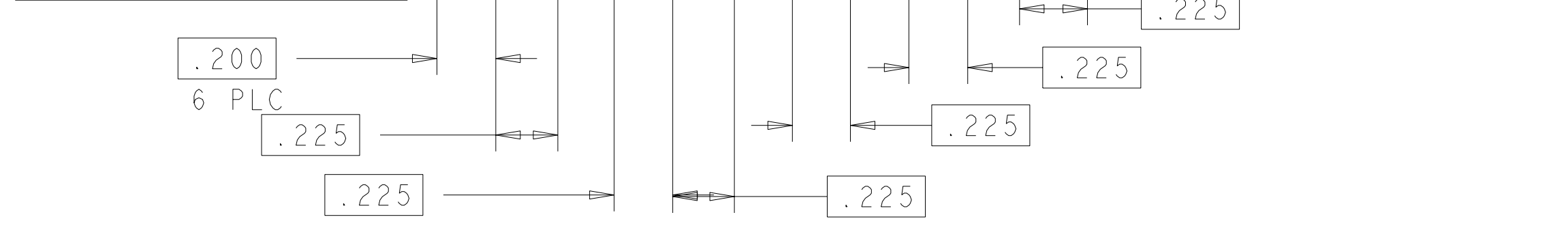
PRODUCT SPEC: 108-2292
 APPLICATION SPEC: 114-13251
 WEIGHT: -

NAME: RIGHT ANGLE HEADER W/ LP CONTACT AND SHORT END MODULES MULTI-BEAM XLE
 SIZE: 114-13251
 CAGE CODE: A1100779
 DRAWING NO: C=6450842

CUSTOMER DRAWING
 SCALE: 4:1
 SHEET: 2 OF 4
 REV: A4

LOC	DIST	REV	DATE	BY	APPD
ES	00				
DESCRIPTION			DATE	BY	APPD
SEE SHEET 1					

PART NUMBER	ROWS	POWER													SIGNAL					
		P1	P2	P3	P4	P5	P6	P7	P8	P9	P10	P11	P12	P13	1	2	3	4	5	6
6450842-4	D C B A	TT	TT	TT	TT	TT	TT	TT	TT	TT	TT	TT	TT	TT	Z1	Z1	Z5	Z5	Z1	Z1
		TT	TT	TT	TT	TT	TT	TT	TT	TT	TT	TT	TT	TT	Y5	Y1	Y5	Y5	Y5	Y5
		TT	TT	TT	TT	TT	TT	TT	TT	TT	TT	TT	TT	TT	R5	R1	R5	R1	R1	R1
		TT	TT	TT	TT	TT	TT	TT	TT	TT	TT	TT	TT	TT	O5	O5	O5	O5	O5	O5



THIS DRAWING IS A CONTROLLED DOCUMENT.		DATE: 09 JUL 2008	NAME: STE TE Connectivity	
DIMENSIONS: INCHES		CHK: S. ZHAO	PRODUCT SPEC: 108-2292	
TOLERANCES UNLESS OTHERWISE SPECIFIED:		APVD: S. ZHAO	APPLICATION SPEC: 114-13251	
9 PLC ±.01		SIZE: CAGE CODE DRAWING NO. RESTRICTED TO		
2 PLC ±.01		A100779C=6450842		
5 PLC ±.005		SCALE: 4:1 SHEET 4 OF 4 REV A4		
4 PLC ±.0020		CUSTOMER DRAWING		
ANGLES ±.020				
FINISH				