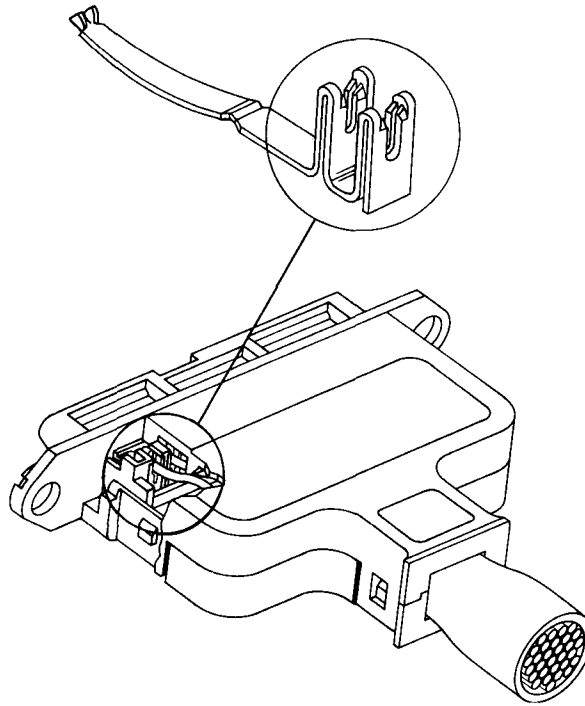


**CHAMP IDC Connector Specifications** (Continued)

**Large Insulation Wire Connectors**

Miniature Ribbon IDC Connectors that can accommodate 22 AWG wire with insulation diameters up to .056 [1.42]. The F-slot contacts handle large insulation diameter conductors using a folded beam contact design.

Only connector supplied.  
180° Cover and Cable shown for reference

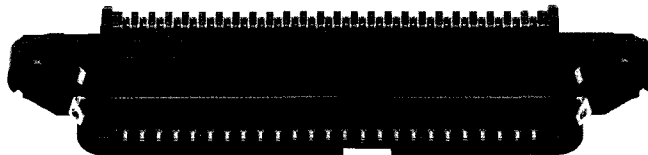


CHAMP .085 Centerline  
Miniature Ribbon Connector Systems

No. of Positions	Wire Size				Housing Color Dot Des.	Part Numbers	
	Solid		7 Strand			Plug Style PS	Receptacle Style RS
	AWG	mm	AWG	mm <sup>2</sup>			
50	22	0.64	22	0.40	Brown	556039-1	555227-1
64						556409-1	—

These special CHAMP connectors are designed with an integral latching system that eliminates the need for additional locking hardware. Receptacle assemblies are pre-assembled with two plated steel spring latches (one at each end) that latch into cutout slots in mating plug connectors. To release a mated pair, simply depress latches into recessed areas and disengage. Note, however, that integral latches are not repairable nor replaceable. Integral-latch connectors are presently available in 50- and 64-position sizes.

**Integral Locking Latch Receptacle**



No. of Positions	Housing Color Dot Des.	Contact Letter Code	Part Numbers
50	Blue	B	553921-1
64			554381-2