

.040/.070 Hybrid I/O Connectors Wire to Board Applications

Cap

**26
Pos.**

Part Number : □-178811-□

■Part numbers of mating
plug housings

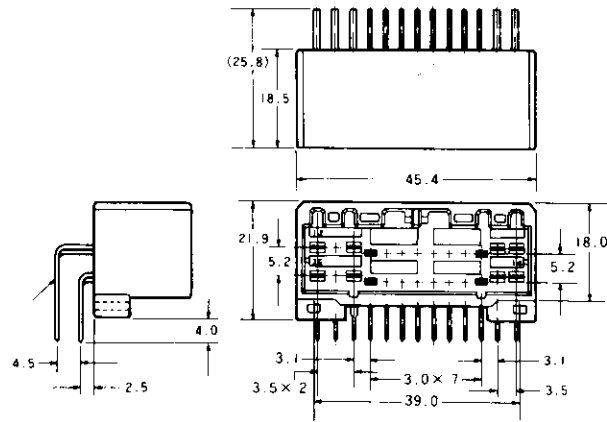
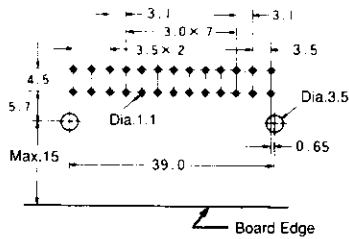
Hinge double-lock type

26Pos. : □-174516-□

Side double-lock type

26Pos. : □-917992-□

PC Board Layout



Part Number : □-178762-□ (The position of rib is different from P/N 178811)

■Part numbers of mating
plug housings

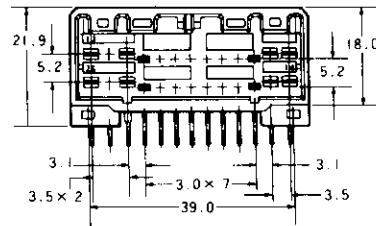
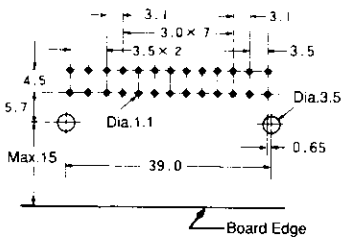
Hinge double-lock type

26Pos. : □-175567-□

Side double-lock type

26Pos. : □-917994-□

PC Board Layout



*The figures in □ after part numbers vary according to housing colors, etc.
*The material of housings is of PBT with glass.
*The materials and finish of tab contacts are of pre-tinned brass or selective gold on brass.

5