

Printed Circuit Board Headers

Technical Features

No. of Positions:

26 Positions with Board Locks

Housing Material:

PBT GF20

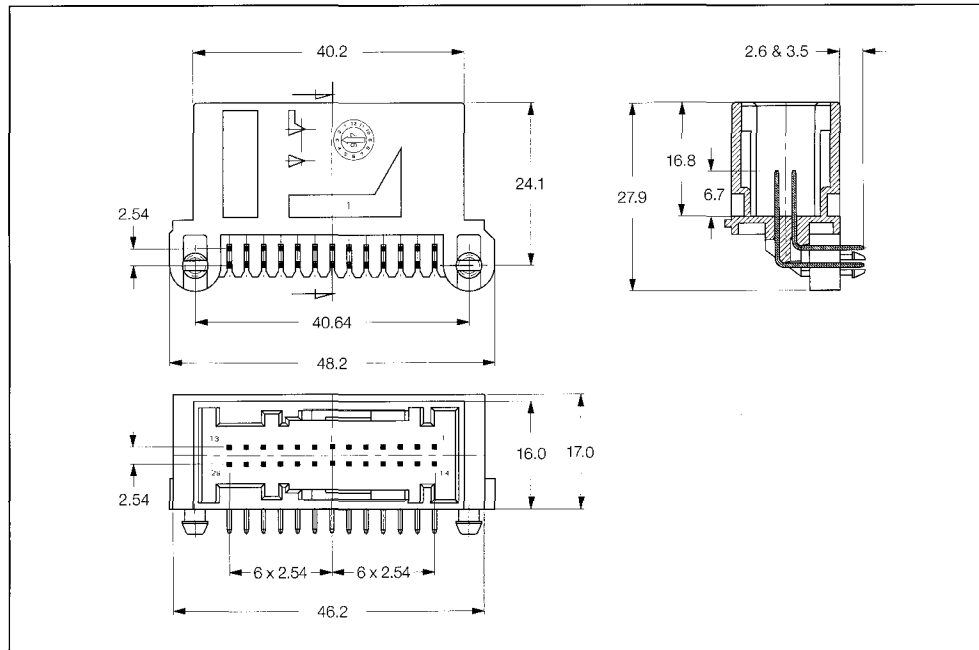
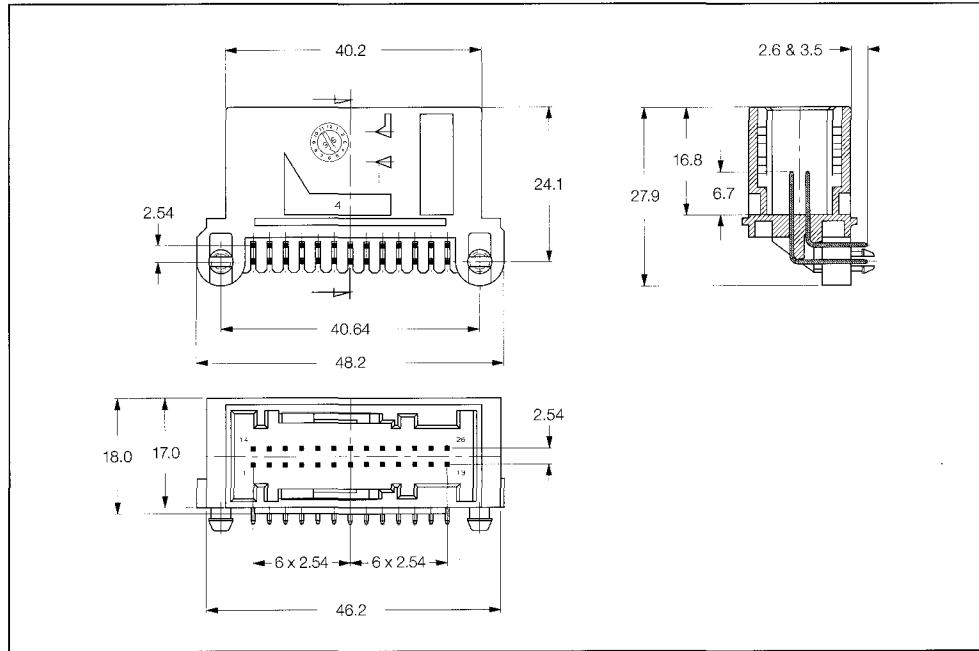
Material and Finish:

CuSn6, post tin plated

Product Specification:

108-15140

Application Specification:



26 Position PCB Headers

No. of Pos.	Keying Options	Housing Color	Part Numbers					
			PCB Header Right-Angle	PCB Header Vertical	Cover	Cover and Lever	Retainer Housing	Mating Receptacle Housing
26	-	Yellow	185534-1	-	-	-	-	-
		Blue	185534-2	-	-	-	-	-
	with long pin	Yellow	185534-3	-	-	-	-	185879
		Blue	185534-4	-	-	-	-	144934
	reverse version	Yellow	185904-1	-	-	-	-	-
		Blue	185904-2	-	-	-	-	-