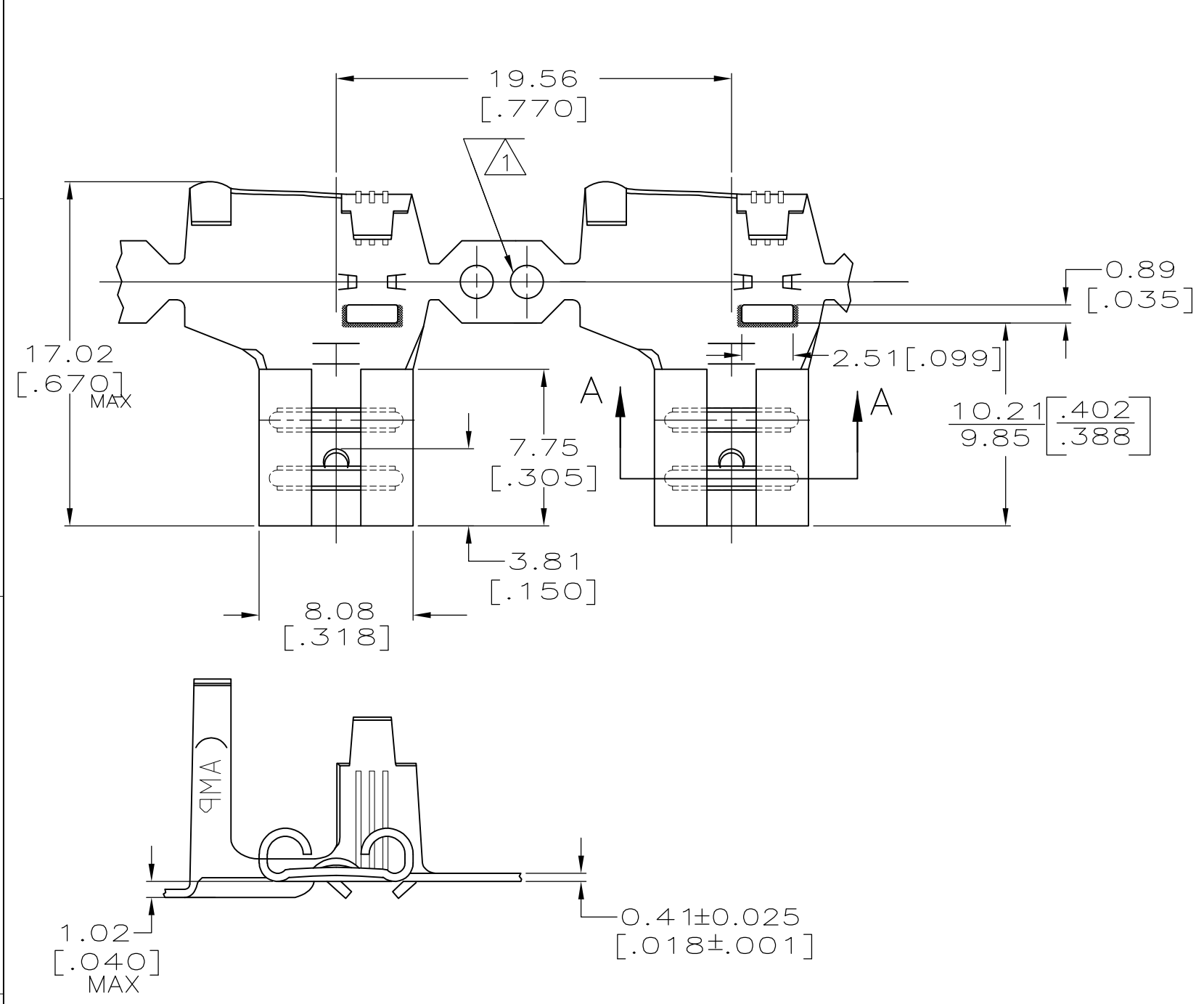
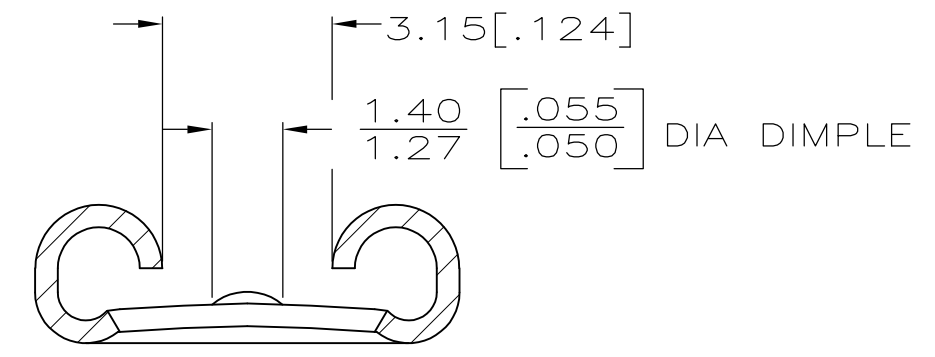


LOC	DIST	REVISIONS					
AF	50	P	LTR	DESCRIPTION	DATE	DWN	APVD
		D		REVISED PER ECR-11-018063	07DEC11	KH	PD



- 1 SINGLE OR DOUBLE PILOT HOLE OPTIONAL
- 2 MATING TAB THK IS 0.81±0.025 [.032±.001]
- 3 INSULATION SIZE IS 2.79-5.33 [.110-.210] DIA.
- 4 WIRE SIZE IS [#18-#12] AWG.



SECTION A-A  
SCALE 8:1

1217403-1  
PART NO

THIS DRAWING IS A CONTROLLED DOCUMENT.		DWN	JR RUTH	02MAY00												
DIMENSIONS: mm [INCHES]		CHK	MS FEHER	02MAY00												
TOLERANCES UNLESS OTHERWISE SPECIFIED:		APVD														
<table border="0"> <tr><td>0 PLC</td><td>± -</td></tr> <tr><td>1 PLC</td><td>± -</td></tr> <tr><td>2 PLC</td><td>± -</td></tr> <tr><td>3 PLC</td><td>± .015</td></tr> <tr><td>4 PLC</td><td>± -</td></tr> <tr><td>ANGLES</td><td>± -</td></tr> </table>		0 PLC	± -	1 PLC	± -	2 PLC	± -	3 PLC	± .015	4 PLC	± -	ANGLES	± -	PRODUCT SPEC		
0 PLC	± -															
1 PLC	± -															
2 PLC	± -															
3 PLC	± .015															
4 PLC	± -															
ANGLES	± -															
MATERIAL #3H PHOS BRZ		FINISH	TIN													
		APVD														
		APPLICATION SPEC														
		WEIGHT														
		CUSTOMER DRAWING														
		SIZE	A3	00779												
		CAGE CODE	C-	1217403												
		DRAWING NO														
		RESTRICTED TO														
		SCALE	4:1													
		SHEET	1 of 1													
		REV	D													

**STE** TE Connectivity  
**OBsolete**  
 RECEPTACLE, FASTON, FLAG, .250 SERIES  
**NOT THE LATEST REVISION**