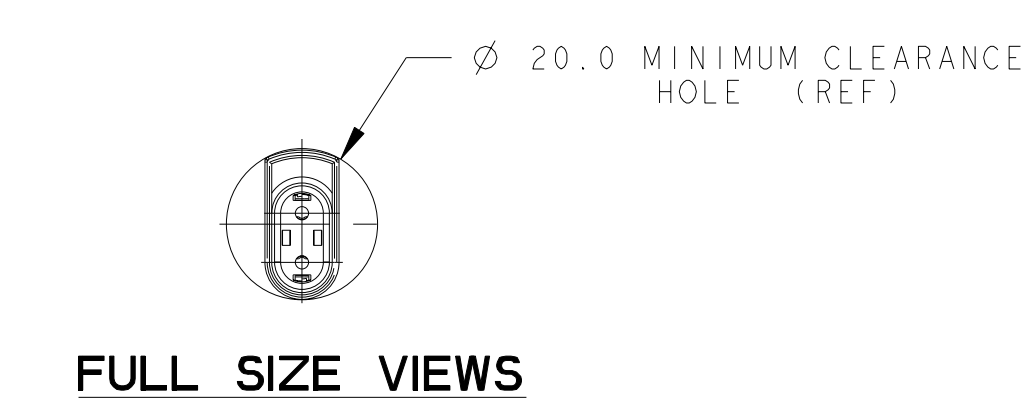


REV	DATE	DESCRIPTION	BY	CHKD	APPD
A1	EG00-2816-01	CORRECTION			
A2	EG00-2995-01	DRW. REVISED, SEALS UPDATED			
A3	REDRAWN AND REVISED FOR ECR 06-003008				
A4	REDRAWN FOR ECR-08-013212				
A5	ECR-10-003638				



PART AS SUPPLIED				COMPONENTS		COLOURS		MATERIALS		SUITABLE FOR			MATING PARTS	
TYCO ELECTRONICS PART No.	DESCRIPTION	WATERPROOF	WEIGHT	1 HOUSING	2 SPACER	1 HOUSING	2 SPACER	1 HOUSING	2 SPACER	TERMINAL MALE	WIRE SEAL	BLIND PLUG	TYCO ELECTRONICS PART No.	DESCRIPTION
2-1437712-5	2 WAY FEMALE CONNECTOR	YES	3.5gr.	1	1					0-1437709-6 (0.22-0.35mm) GOLD PLATED 0-1437709-7 (0.50-1.00mm) GOLD PLATED	1-1437713-1 (0.22-0.35) BLACK 1-1437713-2 (0.50-1.00) RED 1-1437713-3 (1.50) BLUE		5-1437710-5	2 WAY MALE CONNECTOR
2-1437713-6	2 WAY FEMALE CONNECTOR	NO	3.5gr.	1	1	BLACK	RED	PBTP 33% GF	PBTP 33% GF	0-1437709-6 (0.22-0.35mm) GOLD PLATED 0-1437709-7 (0.50-1.00mm) GOLD PLATED		I-1437713-4	5-1437710-6	2 WAY MALE CONNECTOR WITH RETAINER
				1	1					1-1437709-1 (0.22-0.35mm) TIN PLATED 1-1437709-2 (0.50-1.00mm) TIN PLATED 1-1437709-3 (1.50mm) TIN PLATED			5-1437710-7	2 WAY MALE CONNECTOR
				1	1					0-1437709-6 (0.22-0.35mm) GOLD PLATED 0-1437709-7 (0.50-1.00mm) GOLD PLATED			5-1437710-8	2 WAY MALE CONNECTOR WITH RETAINER
				1	1					1-1437709-1 (0.22-0.35mm) TIN PLATED 1-1437709-2 (0.50-1.00mm) TIN PLATED 1-1437709-3 (1.50mm) TIN PLATED				

PART AS SUPPLIED				COMPONENTS		COLOURS		MATERIALS		SUITABLE FOR			MATING PARTS	
TYCO ELECTRONICS PART No.	DESCRIPTION	WATERPROOF	WEIGHT	1 HOUSING	2 SPACER	1 HOUSING	2 SPACER	1 HOUSING	2 SPACER	TERMINAL MALE	WIRE SEAL	BLIND PLUG	TYCO ELECTRONICS PART No.	DESCRIPTION
2-1437712-8	2 WAY FEMALE CONNECTOR	YES	3.5gr.	1	1					0-1437709-6 (0.22-0.35mm) GOLD PLATED 0-1437709-7 (0.50-1.00mm) GOLD PLATED	1-1437713-1 (0.22-0.35) BLACK 1-1437713-2 (0.50-1.00) RED 1-1437713-3 (1.50) BLUE		6-1437710-6	2 WAY MALE CONNECTOR
2-1437713-8	2 WAY FEMALE CONNECTOR	NO	3.5gr.	1	1	NATURAL	RED	PBTP 33% GF	PBTP 33% GF	0-1437709-6 (0.22-0.35mm) GOLD PLATED 0-1437709-7 (0.50-1.00mm) GOLD PLATED		I-1437713-4	6-1437710-7	2 WAY MALE CONNECTOR WITH RETAINER
				1	1					1-1437709-1 (0.22-0.35mm) TIN PLATED 1-1437709-2 (0.50-1.00mm) TIN PLATED 1-1437709-3 (1.50mm) TIN PLATED			6-1437710-8	2 WAY MALE CONNECTOR
				1	1					0-1437709-6 (0.22-0.35mm) GOLD PLATED 0-1437709-7 (0.50-1.00mm) GOLD PLATED			6-1437710-9	2 WAY MALE CONNECTOR WITH RETAINER
				1	1					1-1437709-1 (0.22-0.35mm) TIN PLATED 1-1437709-2 (0.50-1.00mm) TIN PLATED 1-1437709-3 (1.50mm) TIN PLATED				

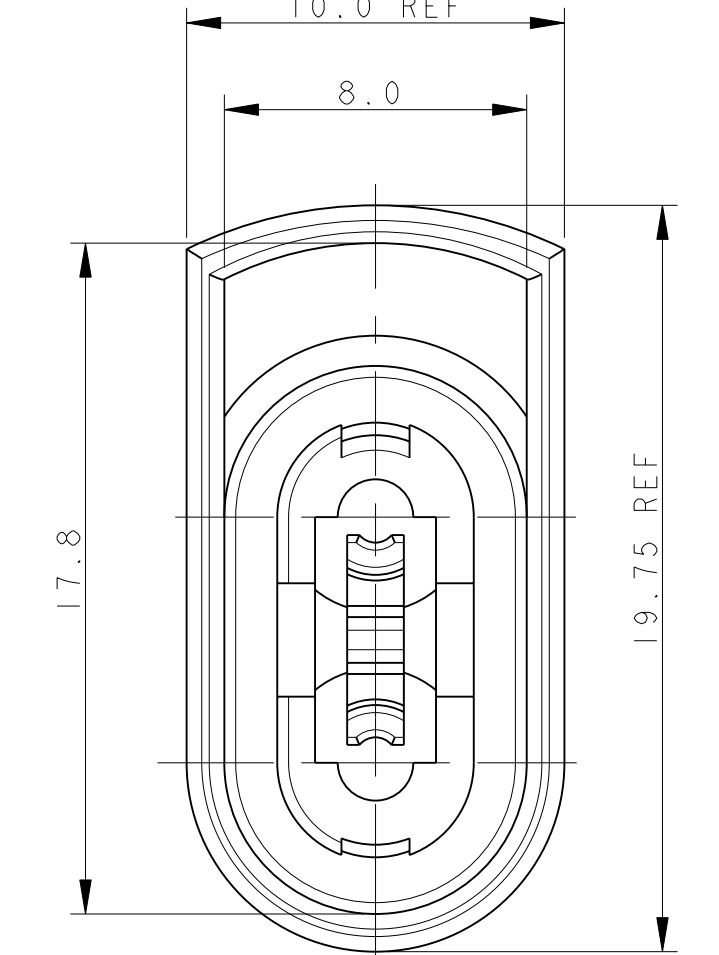
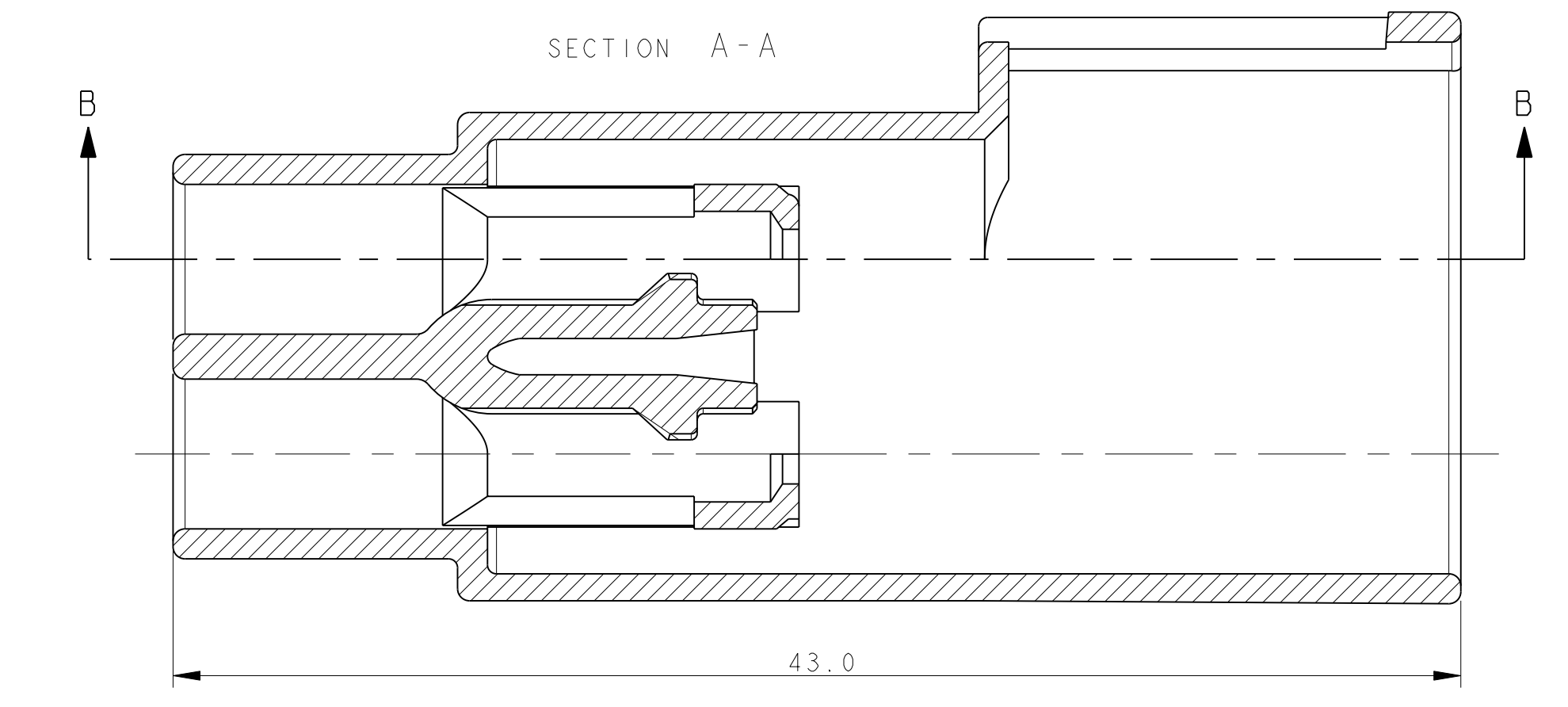
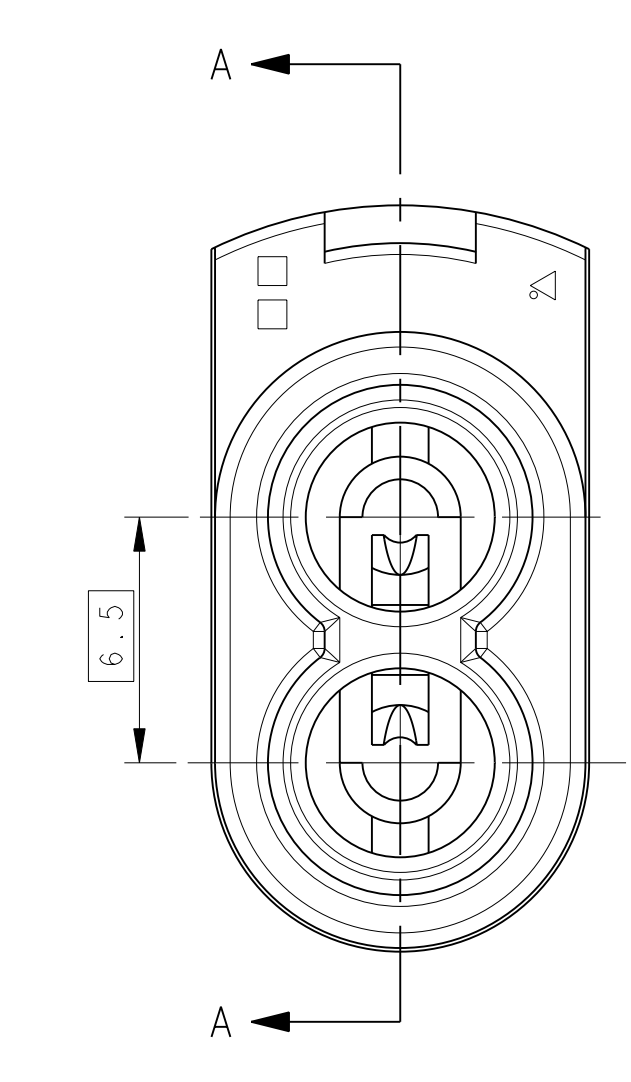
PART AS SUPPLIED				COMPONENTS		COLOURS		MATERIALS		SUITABLE FOR			MATING PARTS	
TYCO ELECTRONICS PART No.	DESCRIPTION	WATERPROOF	WEIGHT	1 HOUSING	2 SPACER	1 HOUSING	2 SPACER	1 HOUSING	2 SPACER	TERMINAL MALE	WIRE SEAL	BLIND PLUG	TYCO ELECTRONICS PART No.	DESCRIPTION
2-1437712-9	2 WAY FEMALE CONNECTOR	YES	3.5gr.	1	1					0-1437709-6 (0.22-0.35mm) GOLD PLATED 0-1437709-7 (0.50-1.00mm) GOLD PLATED	1-1437713-1 (0.22-0.35) BLACK 1-1437713-2 (0.50-1.00) RED 1-1437713-3 (1.50) BLUE		-	2 WAY MALE CONNECTOR
2-1437713-9	2 WAY FEMALE CONNECTOR	NO	3.5gr.	1	1	RED	RED	PBTP 33% GF	PBTP 33% GF	0-1437709-6 (0.22-0.35mm) GOLD PLATED 0-1437709-7 (0.50-1.00mm) GOLD PLATED		I-1437713-4	7-1437710-0	2 WAY MALE CONNECTOR WITH RETAINER
				1	1					1-1437709-1 (0.22-0.35mm) TIN PLATED 1-1437709-2 (0.50-1.00mm) TIN PLATED 1-1437709-3 (1.50mm) TIN PLATED			-	2 WAY MALE CONNECTOR
				1	1					0-1437709-6 (0.22-0.35mm) GOLD PLATED 0-1437709-7 (0.50-1.00mm) GOLD PLATED			7-1437710-1	2 WAY MALE CONNECTOR WITH RETAINER
				1	1					1-1437709-1 (0.22-0.35mm) TIN PLATED 1-1437709-2 (0.50-1.00mm) TIN PLATED 1-1437709-3 (1.50mm) TIN PLATED				

PART AS SUPPLIED				COMPONENTS		COLOURS		MATERIALS		SUITABLE FOR			MATING PARTS	
TYCO ELECTRONICS PART No.	DESCRIPTION	WATERPROOF	WEIGHT	1 HOUSING	2 SPACER	1 HOUSING	2 SPACER	1 HOUSING	2 SPACER	TERMINAL MALE	WIRE SEAL	BLIND PLUG	TYCO ELECTRONICS PART No.	DESCRIPTION
2-1437712-6	2 WAY FEMALE CONNECTOR	YES	3.5gr.	1	1					0-1437709-6 (0.22-0.35mm) GOLD PLATED 0-1437709-7 (0.50-1.00mm) GOLD PLATED	1-1437713-1 (0.22-0.35) BLACK 1-1437713-2 (0.50-1.00) RED 1-1437713-3 (1.50) BLUE		5-1437710-9	2 WAY MALE CONNECTOR
2-1437713-6	2 WAY FEMALE CONNECTOR	NO	3.5gr.	1	1	BLUE	RED	PBTP 33% GF	PBTP 33% GF	0-1437709-6 (0.22-0.35mm) GOLD PLATED 0-1437709-7 (0.50-1.00mm) GOLD PLATED		I-1437713-4	6-1437710-0	2 WAY MALE CONNECTOR WITH RETAINER
				1	1					1-1437709-1 (0.22-0.35mm) TIN PLATED 1-1437709-2 (0.50-1.00mm) TIN PLATED 1-1437709-3 (1.50mm) TIN PLATED			6-1437710-1	2 WAY MALE CONNECTOR
				1	1					0-1437709-6 (0.22-0.35mm) GOLD PLATED 0-1437709-7 (0.50-1.00mm) GOLD PLATED			6-1437710-2	2 WAY MALE CONNECTOR WITH RETAINER
				1	1					1-1437709-1 (0.22-0.35mm) TIN PLATED 1-1437709-2 (0.50-1.00mm) TIN PLATED 1-1437709-3 (1.50mm) TIN PLATED				

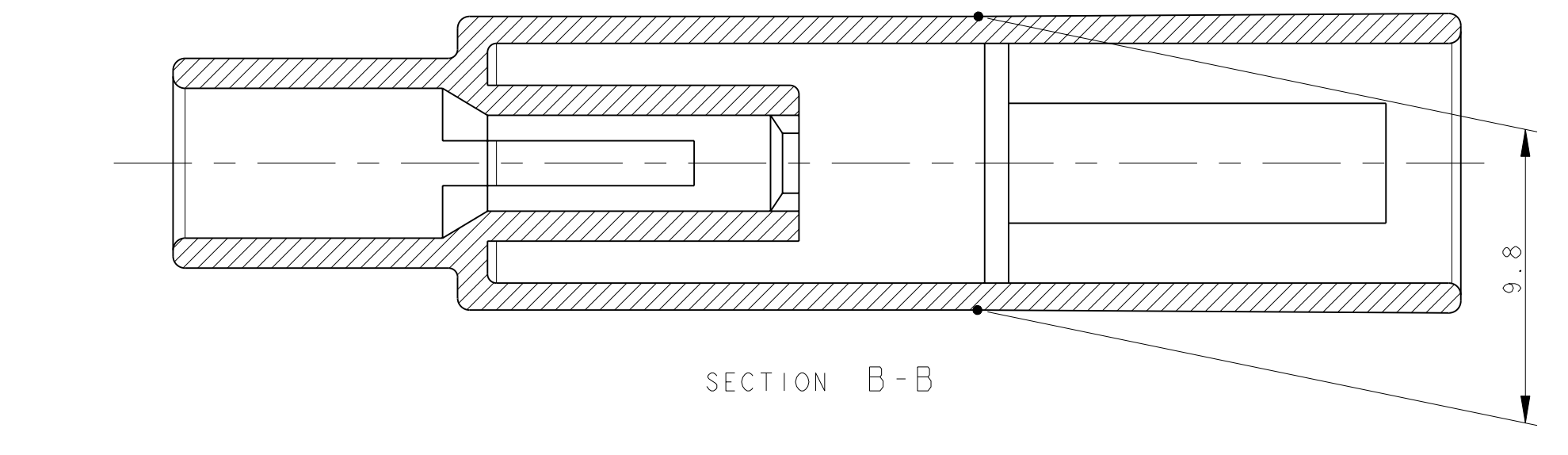
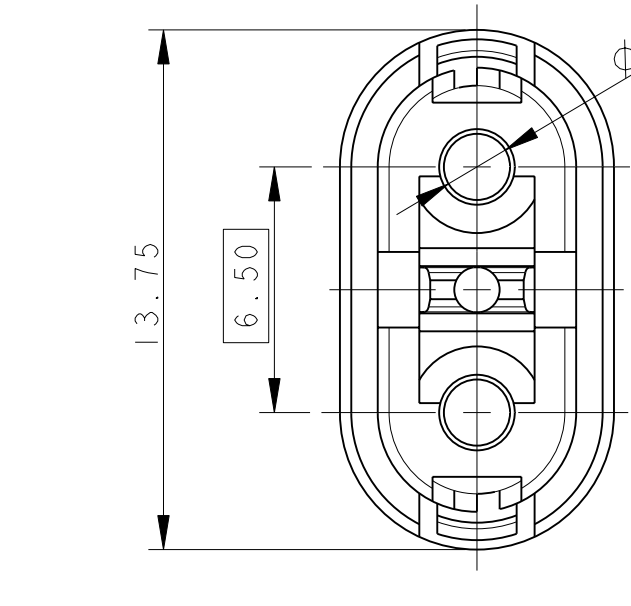
PART AS SUPPLIED				COMPONENTS		COLOURS		MATERIALS		SUITABLE FOR			MATING PARTS	
TYCO ELECTRONICS PART No.	DESCRIPTION	WATERPROOF	WEIGHT	1 HOUSING	2 SPACER	1 HOUSING	2 SPACER	1 HOUSING	2 SPACER	TERMINAL MALE	WIRE SEAL	BLIND PLUG	TYCO ELECTRONICS PART No.	DESCRIPTION
2-1437712-7	2 WAY FEMALE CONNECTOR	YES	3.5gr.	1	1					0-1437709-6 (0.22-0.35mm) GOLD PLATED 0-1437709-7 (0.50-1.00mm) GOLD PLATED	1-1437713-1 (0.22-0.35) BLACK 1-1437713-2 (0.50-1.00) RED 1-1437713-3 (1.50) BLUE		6-1437710-3	2 WAY MALE CONNECTOR
2-1437713-7	2 WAY FEMALE CONNECTOR	NO	3.5gr.	1	1	GRAY	RED	PBTP 33% GF	PBTP 33% GF	0-1437709-6 (0.22-0.35mm) GOLD PLATED 0-1437709-7 (0.50-1.00mm) GOLD PLATED		I-1437713-4	6-1437710-4	2 WAY MALE CONNECTOR WITH RETAINER
				1	1					1-1437709-1 (0.22-0.35mm) TIN PLATED 1-1437709-2 (0.50-1.00mm) TIN PLATED 1-1437709-3 (1.50mm) TIN PLATED			6-1437710-5	2 WAY MALE CONNECTOR
				1	1					0-1437709-6 (0.22-0.35mm) GOLD PLATED 0-1437709-7 (0.50-1.00mm) GOLD PLATED			-	2 WAY MALE CONNECTOR WITH RETAINER
				1	1					1-1437709-1 (0.22-0.35mm) TIN PLATED 1-1437709-2 (0.50-1.00mm) TIN PLATED 1-1437709-3 (1.50mm) TIN PLATED				

PART AS SUPPLIED				COMPONENTS		COLOURS		MATERIALS		SUITABLE FOR			MATING PARTS	
TYCO ELECTRONICS PART No.	DESCRIPTION	WATERPROOF	WEIGHT	1 HOUSING	2 SPACER	1 HOUSING	2 SPACER	1 HOUSING	2 SPACER	TERMINAL MALE	WIRE SEAL	BLIND PLUG	TYCO ELECTRONICS PART No.	DESCRIPTION
3-1437712-0	2 WAY FEMALE CONNECTOR	YES	3.5gr.	1	1					0-1437709-6 (0.22-0.35mm) GOLD PLATED 0-1437709-7 (0.50-1.00mm) GOLD PLATED	1-1437713-1 (0.22-0.35) BLACK 1-1437713-2 (0.50-1.00) RED 1-1437713-3 (1.50) BLUE		7-1437710-2	2 WAY MALE CONNECTOR
3-1437713-0	2 WAY FEMALE CONNECTOR	NO	3.5gr.	1	1	YELLOW	RED	PBTP 33% GF	PBTP 33% GF	0-1437709-6 (0.22-0.35mm) GOLD PLATED 0-1437709-7 (0.50-1.00mm) GOLD PLATED		I-1437713-4	7-1437710-3	2 WAY MALE CONNECTOR WITH RETAINER
				1	1					1-1437709-1 (0.22-0.35mm) TIN PLATED 1-1437709-2 (0.50-1.00mm) TIN PLATED 1-1437709-3 (1.50mm) TIN PLATED			7-1437710-4	2 WAY MALE CONNECTOR
				1	1					0-1437709-6 (0.22-0.35mm) GOLD PLATED 0-1437709-7 (0.50-1.00mm) GOLD PLATED			7-1437710-5	2 WAY MALE CONNECTOR WITH RETAINER
				1	1					1-1437709-1 (0.22-0.35mm) TIN PLATED 1-1437709-2 (0.50-1.00mm) TIN PLATED 1-1437709-3 (1.50mm) TIN PLATED				

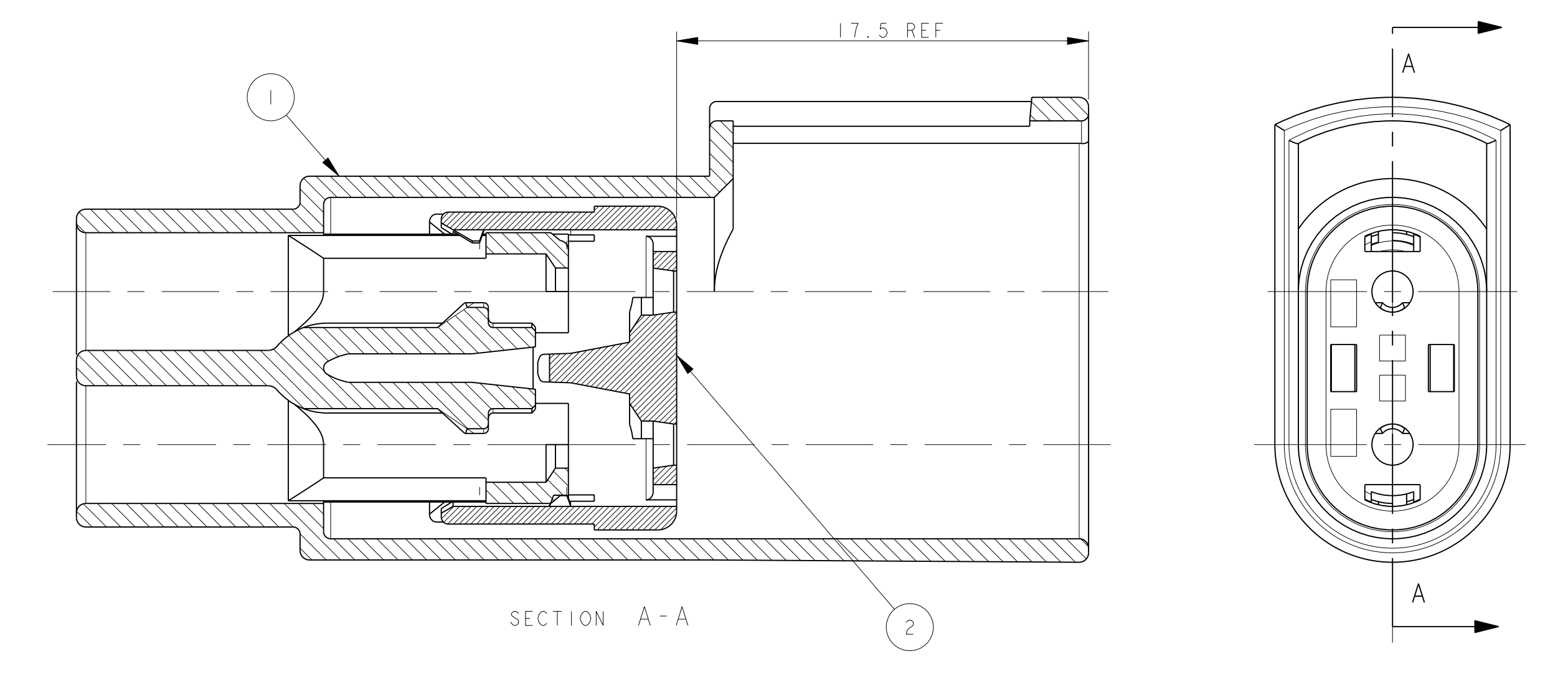
1 HOUSING
WATERPROOF / NON WATERPROOF



2 SPACER



REV	DESCRIPTION	ITEM
I	HOUSING COLOUR BLACK	1
I	HOUSING COLOUR NATURAL	1
I	HOUSING COLOUR RED	1
I	HOUSING COLOUR YELLOW	1
I	HOUSING COLOUR GRAY	1
I	HOUSING COLOUR BLUE	1
I	SPACER COLOUR RED	2



- NOTES UNLESS OTHERWISE SPECIFIED:
 1) SEE CHART FOR MATING PART NUMBERS.
 2) THE CONNECTOR IS DESIGNED TO PASS THROUGH A Ø 20.00mm MIN. HOLE

TYCO ELECTRONICS CORPORATION
 DIMENSIONS: DIMENSIONS IN MILLIMETERS UNLESS OTHERWISE SPECIFIED
 TOLERANCES: HOLE: ±0.10, ±0.15, ±0.20, ±0.30, ±0.40, ±0.50, ±0.63, ±0.80, ±1.00, ±1.25, ±1.60, ±2.00, ±2.50, ±3.15, ±4.00, ±5.00, ±6.30, ±8.00, ±10.00, ±12.50, ±16.00, ±20.00, ±25.00, ±31.50, ±40.00, ±50.00, ±63.00, ±80.00, ±100.00, ±125.00, ±160.00, ±200.00, ±250.00, ±315.00, ±400.00, ±500.00, ±630.00, ±800.00, ±1000.00
 FINISH: SEE TABLE
 MATERIAL: SEE TABLE
 DWG: M. PALMA, 21FEB2006
 CHK: M. MARTIN, 21FEB2006
 APP: G. GENTILE, 21FEB2006
 PRODUCT SPEC: 108-20269
 APPLICATION SPEC: 411-20111
 RET: SEE TABLE
 CUSTOMER DRAWING: A0 00779 C=1418067
 SCALE: 5:1
 SHEET: 1 OF 2
 REV: A5
 Tyco Electronics AMP Italia S.r.l.
 C.so F.lli. Cerri, 15 Collighe 4101
 1.6mm SYSTEM
 2 WAYS CONNECTOR
 FEMALE

LOC	DIST	REVISIONS					
		P	LN	DESCRIPTION	DATE	BY	APPD
		-		SEE SHEET 1	-	-	-

2 WAYS FEMALE , BLACK		TYPE
ASSEMBLY		
T&B UNIVERSAL PART No.	106045 / 106046	-
TYCO ELECTRONICS PART No.	⚠ 0-1437712-4	
T&B FORD PART No.	NPIWA-0002XX	
FORD PART No.	89FG-14A624-ABB	WATERPROOF
TYCO ELECTRONICS PART No.	2-1437712-5	
T&B FORD PART No.	NPIWA-DA02XX	
FORD PART No.	89FG-14A459-ABB	NON WATERPROOF
TYCO ELECTRONICS PART No.	2-1437713-6	

⚠ OBSOLETE, SUPERSEDED BY 2-1437712-5

2 WAYS FEMALE, RED		TYPE
ASSEMBLY		
T&B UNIVERSAL PART No.	106045 / 106046-R	-
TYCO ELECTRONICS PART No.	⚠ 0-1437712-7	
T&B FORD PART No.	NPIWA-R002XX	
FORD PART No.	89FG-14A624-ABB	WATERPROOF
TYCO ELECTRONICS PART No.	2-1437712-9	
T&B FORD PART No.	NPIWA-RA02XX	
FORD PART No.	89FG-14A459-ABB	NON WATERPROOF
TYCO ELECTRONICS PART No.	-	

⚠ OBSOLETE, SUPERSEDED BY 2-1437712-9

2 WAYS FEMALE, NATURAL		TYPE
ASSEMBLY		
T&B UNIVERSAL PART No.	106045 / 106046-N	-
TYCO ELECTRONICS PART No.	⚠ 0-1437712-6	
T&B FORD PART No.	NPIWA-N002XX	
FORD PART No.	89FG-14A624-ABB	WATERPROOF
TYCO ELECTRONICS PART No.	2-1437712-8	
T&B FORD PART No.	NPIWA-NA02XX	
FORD PART No.	89FG-14A459-ABB	NON WATERPROOF
TYCO ELECTRONICS PART No.	-	

⚠ OBSOLETE, SUPERSEDED BY 2-1437712-8

2 WAYS FEMALE, GREY		TYPE
ASSEMBLY		
T&B UNIVERSAL PART No.	106045 / 106046-G	-
TYCO ELECTRONICS PART No.	-	
T&B FORD PART No.	NPIWA-G002XX	
FORD PART No.	89FG-14A624-ABB	WATERPROOF
TYCO ELECTRONICS PART No.	2-1437712-7	
T&B FORD PART No.	NPIWA-GA02XX	
FORD PART No.	89FG-14A459-ABB	NON WATERPROOF
TYCO ELECTRONICS PART No.	-	

2 WAYS FEMALE, YELLOW		TYPE
ASSEMBLY		
T&B UNIVERSAL PART No.	106045 / 106046-Y	-
TYCO ELECTRONICS PART No.	-	
T&B FORD PART No.	NPIWA-Y002XX	
FORD PART No.	89FG-14A624-ABB	WATERPROOF
TYCO ELECTRONICS PART No.	3-1437712-0	
T&B FORD PART No.	NPIWA-YA02XX	
FORD PART No.	89FG-14A459-ABB	NON WATERPROOF
TYCO ELECTRONICS PART No.	-	

2 WAYS FEMALE, BLUE		TYPE
ASSEMBLY		
T&B UNIVERSAL PART No.	106045 / 106046-D	-
TYCO ELECTRONICS PART No.	⚠ 0-1437712-5	
T&B FORD PART No.	NPIWA-D002XX	
FORD PART No.	89FG-14A624-ABB	WATERPROOF
TYCO ELECTRONICS PART No.	2-1437712-6	
T&B FORD PART No.	NPIWA-DA02XX	
FORD PART No.	89FG-14A459-ABB	NON WATERPROOF
TYCO ELECTRONICS PART No.	-	

⚠ OBSOLETE, SUPERSEDED BY 2-1437712-6

DIMENSIONS:		TOLERANCE UNLESS OTHERWISE SPECIFIED:		DWG: W. PALMI 21FEB2006		Tyco Electronics AMP Italia S.r.l.	
VIEW:		ORIGIN:		CHK: G. MARTINI 21FEB2006		C.so F.lli Cerri, 15 Collighe 4101	
0 P/LC 0.1		0.15		APP: G. GENTILE 21FEB2006		NAME: 1.6mm SYSTEM	
1 P/LC 0.3		0.3		PRODUCT SPEC: 108-20269		2 WAYS CONNECTOR	
2 P/LC 0.5		0.5		APPLICATION SPEC: 411-20111		FEMALE	
3 P/LC 0.8		0.8		MATERIAL:		SIZE CASE CODE DRAWING NO. RESTRICTED TO	
4 P/LC 1.0		1.0		FINISH:		REIGHT: SEE SHEET 1 A0 00779 C=1418067 -	
5 P/LC 1.5		1.5		MATERIAL:		CUSTOMER DRAWING SCALE: 5:1 SHEET 2 OF 2 REV: A5	