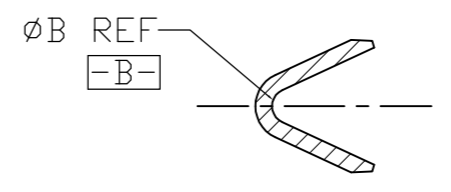
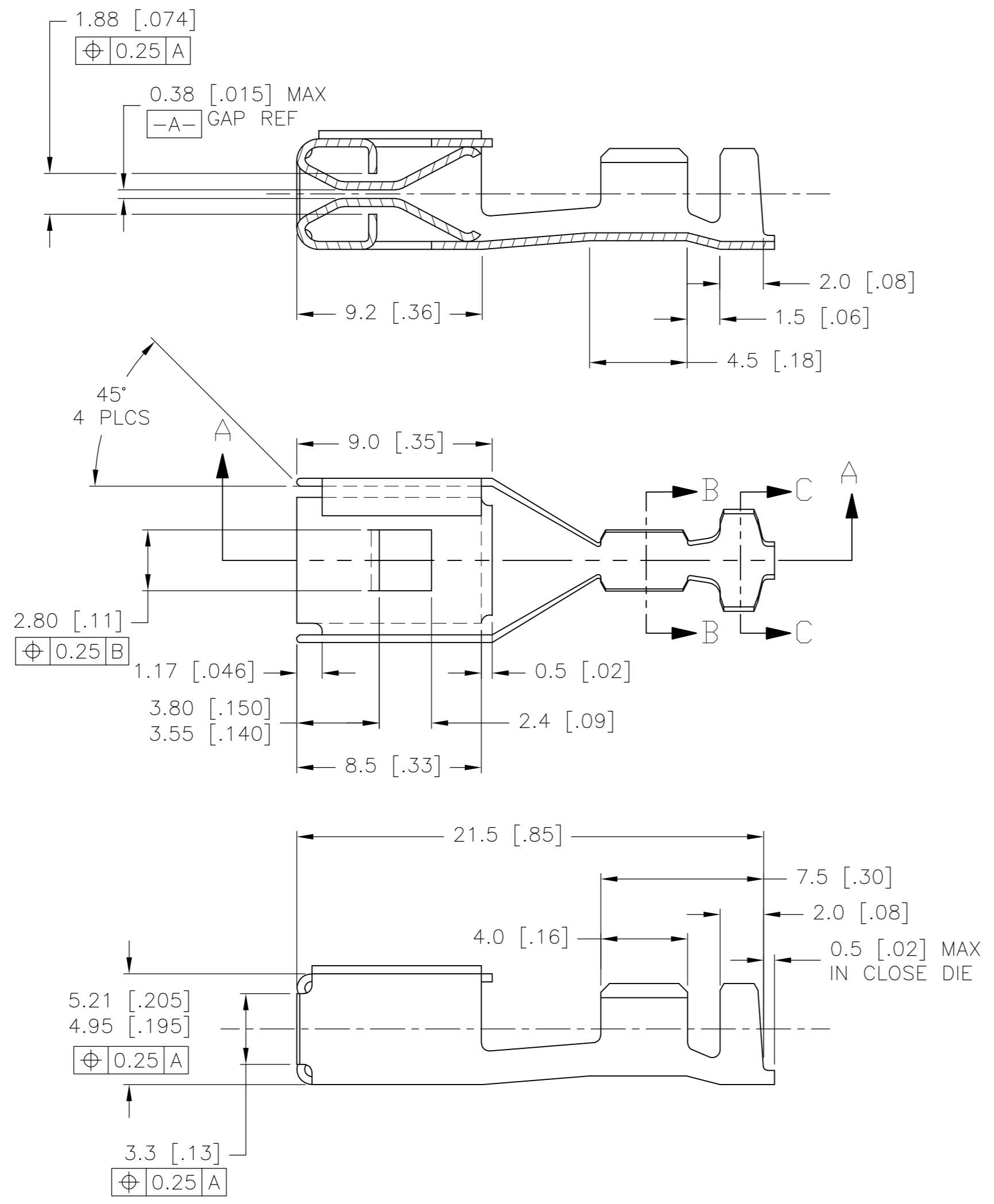


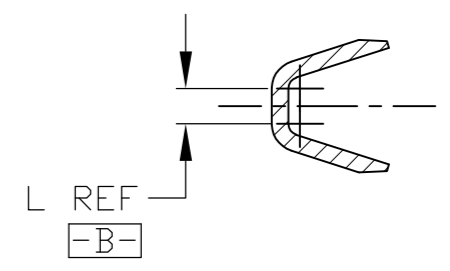
THIS DRAWING IS UNPUBLISHED. RELEASED FOR PUBLICATION  
 © COPYRIGHT BY TYCO ELECTRONICS CORPORATION. ALL INTERNATIONAL RIGHTS RESERVED.

LOC	DIST	REVISIONS					
FX	00	P	LTR	DESCRIPTION	DATE	DWN	APVD
		B		REVISED PER ECO-09-028142	11MAR2010	DD	WW

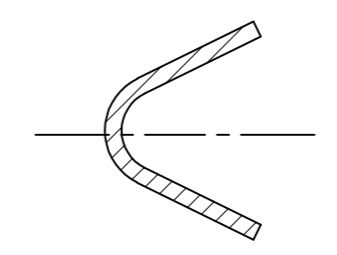
NOTES:  
 UNLESS OTHERWISE SPECIFIED:  
 ALL RADII TO BE 0.5 [.02]  
 MATERIAL: CA194 BRASS  
 FINISH: HOT TIN DIP



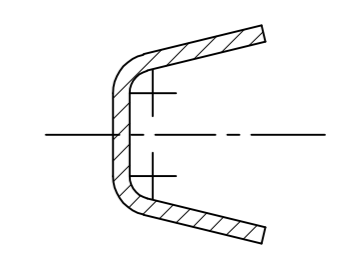
SECTION B-B  
 WING TYPE-1



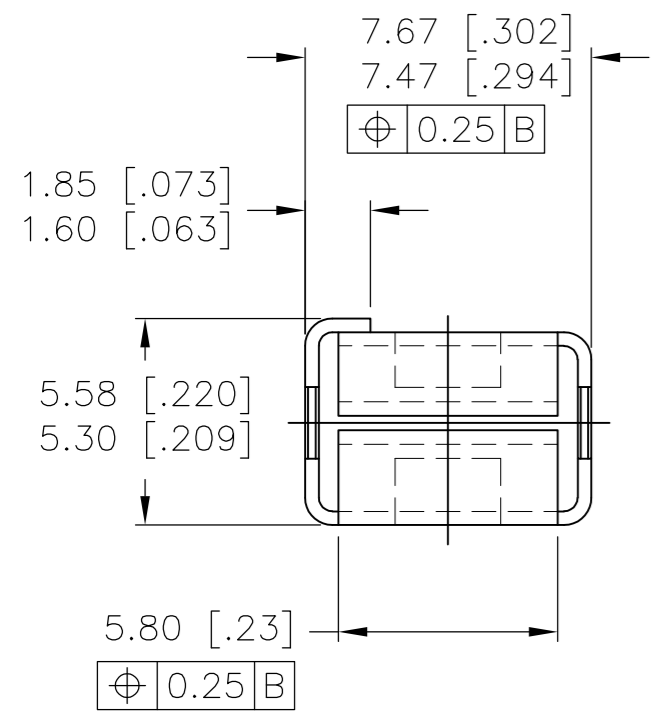
SECTION B-B  
 WING TYPE-2



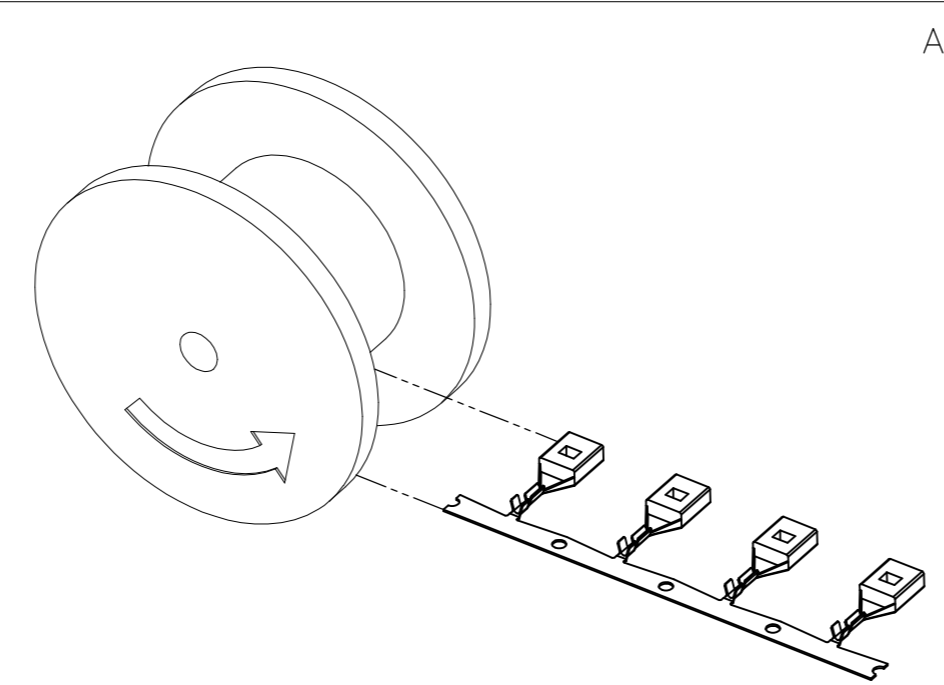
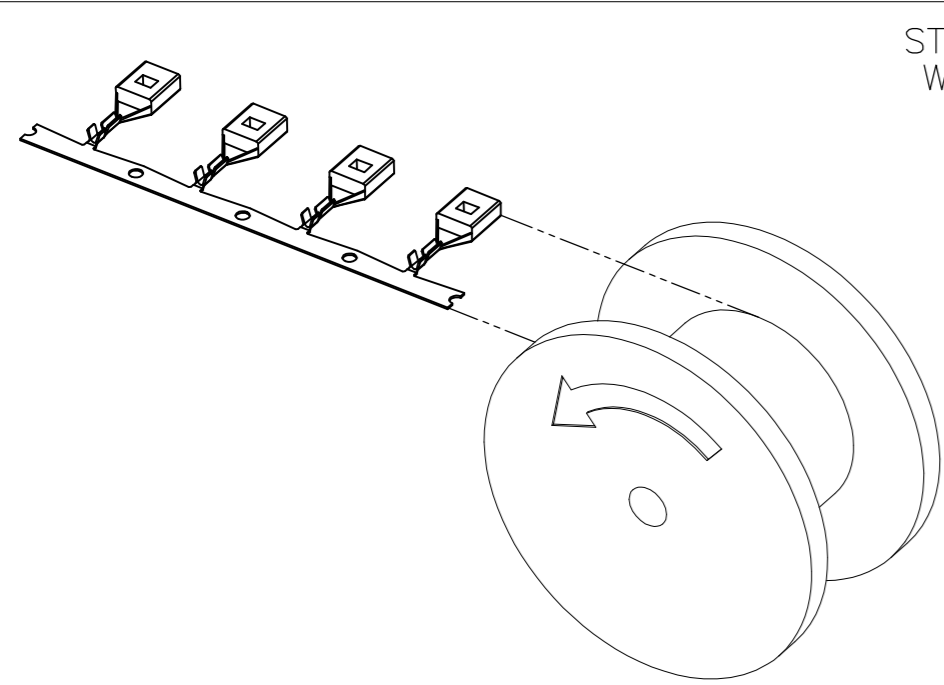
SECTION C-C  
 WING TYPE-1



SECTION C-C  
 WING TYPE-2



1-1438250-1	1438250-7	13	2	1.00[.038]	1.3[.05]
1-1438250-0	-	19	2	0.76[.030]	0.76[.030]
1438250-9	-	22	1	0.76[.030]	-
1438250-4	1438250-5	10	1	2.55[.100]	-
1438250-3	1438250-6	11	2	1.50[.059]	1.3[.05]
1438250-2	1438250-8	14	1	1.50[.059]	-
1438250-1	-	18	1	1.00[.038]	-
TE P/N	TE P/N REWOUND	GRIP CODE	WING TYPE	B	L



THIS DRAWING IS A CONTROLLED DOCUMENT.		DWN	JR BUSSARD	11JUN2003	Tyco Electronics Corporation Harrisburg, PA 17105-3608
DIMENSIONS: mm [INCHES]		CHK	DM REVAK	11JUN2003	
TOLERANCES UNLESS OTHERWISE SPECIFIED:		APVD	DM REVAK	11JUN2003	
0 PLC ± - 1 PLC ± - 2 PLC ± 0.25 3 PLC ± - 4 PLC ± - ANGLES ± 2°		PRODUCT SPEC		NAME	
MATERIAL SEE NOTES		FINISH SEE NOTES		APPLICATION SPEC	
MATERIAL SEE NOTES		FINISH SEE NOTES		WEIGHT -	
MATERIAL SEE NOTES		FINISH SEE NOTES		SCALE A2 00779 C=1438250	
MATERIAL SEE NOTES		FINISH SEE NOTES		CUSTOMER DRAWING	
MATERIAL SEE NOTES		FINISH SEE NOTES		RESTRICTED TO -	
MATERIAL SEE NOTES		FINISH SEE NOTES		SCALE 5:1 SHEET 1 of 1 REV B	